

4

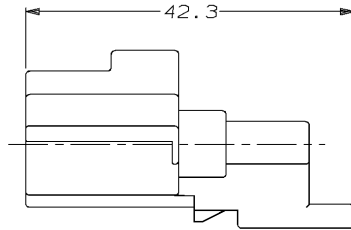
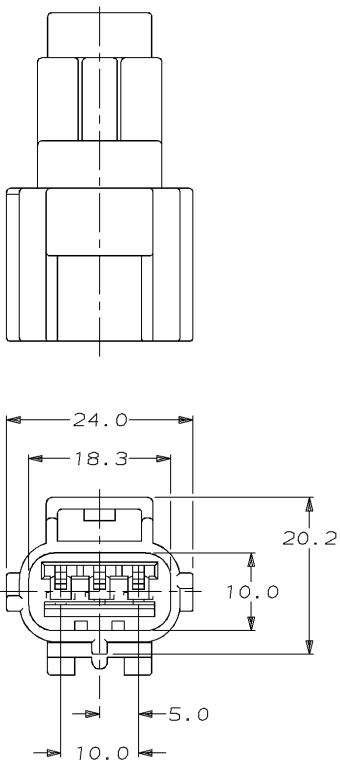
3

2

1

THIS DRAWING IS UNPUBLISHED. RELEASED FOR PUBLICATION
 © COPYRIGHT 19 BY AMP INCORPORATED. ALL RIGHTS RESERVED.

LOC	QTY	REVISIONS				
P	LTR	DESCRIPTION	DATE	DWN	APVD	
0		INITIAL RELEASE	02/15/96	KW	JK	
A		REV PER ECN #OKSO-0015-96	09/23/96	KW	JK	



184194-1
 PART NUMBER

<small>THIS DRAWING IS A CONTROLLED DOCUMENT FOR AMP INCORPORATED. IT IS SUBJECT TO CHANGE AND THE CONTROLLING ENGINEERING ORGANIZATION SHOULD BE CONTACTED FOR THE LATEST REVISION.</small>		DWN	K. WISE	02/15/96	AMP Incorporated Harrisburg, PA 17105-3608	
DIMENSIONS: mm		CHK	J. KUNKLE	03/01/96		
TOLERANCES UNLESS OTHERWISE SPECIFIED: 0 PLC ±- 1 PLC ±0.3 2 PLC ±- 3 PLC ±- 4 PLC ±- ANGLES ±- FINISH		APVD	J. KUNKLE	03/01/96		
MATERIAL: PBT, 15% GLASS FILLED FINISH: BLACK		NAME	CAP HSG, SSC, 3 POSN C KEY			
		PRODUCT SPEC			SIZE	A3
		APPLICATION SPEC			CAGE CODE	00779
		WEIGHT			DRAWING NO	©-184194
		CUSTOMER DRAWING			SCALE	2:1
					SHEET	1 OF 1
					REV	A

AMP1470-19 REV 10/93

23 SEP 1996 11:58:01 AMP33084:US128A>DEPT1135-U, SENSOR>U, 3POSN>U, ENDCAP>U, REV