

4

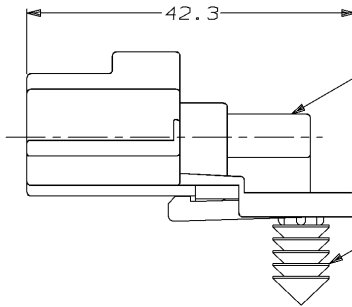
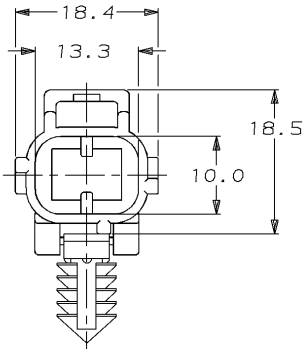
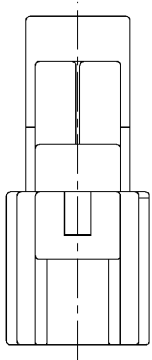
3

2

1

THIS DRAWING IS UNPUBLISHED. RELEASED FOR PUBLICATION  
 © COPYRIGHT 19 BY AMP INCORPORATED. ALL RIGHTS RESERVED.

LOC	QTY	REVISIONS			
P	LTR	DESCRIPTION	DATE	DWN	APVD
0		INITIAL RELEASE	02/14/96	KW	JK
A		REV PER ECN #OKSO-0014-96	09/23/96	KW	JK



△ RETAINER CLIP TO SNAP INTO A 6.50 DIA HOLE IN MATERIAL WITH A THICKNESS OF 0.56-5.10.

2 POSN END CAP  
 MATL: PBT, 15% GLASS FILLED  
 FINISH: BLACK

RETAINER CLIP △  
 MATL: NYLON  
 FINISH: NATURAL

184185-1  
 PART NUMBER

<small>THIS DRAWING IS A CONTROLLED DOCUMENT FOR AMP INCORPORATED. IT IS SUBJECT TO CHANGE AND THE CONTROLLING ENGINEERING ORGANIZATION SHOULD BE CONTACTED FOR THE LATEST REVISION.</small>		DWN	02/14/96	AMP Incorporated Harrisburg, PA 17105-3608	
		CHK	03/08/96		
DIMENSIONS: <small>mm</small>		APVD	03/08/96	END CAP HSG ASSY, SSC, 2 POSN K KEY	
TOLERANCES UNLESS OTHERWISE SPECIFIED: 0 PLC ±- 1 PLC ±0.3 2 PLC ±- 3 PLC ±- 4 PLC ±- ANGLES ±- FINISH -		NAME	J. KUNKLE		
MATERIAL -		PRODUCT SPEC	-	SIZE	A3
		APPLICATION SPEC	-	CAGE CODE	00779
		WEIGHT	-	DRAWING NO	©-184185
		CUSTOMER DRAWING	-	SCALE	2:1
				SHEET	1 OF 1
				REV	A

AMP1470-19 REV 10/93

23 SEP 1996 10:10:13 AMP33084:US128A>DEPT1135-U, SENSOR>U, 2POSN>U, ENDCAP>U, REV