

4

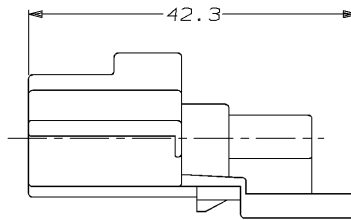
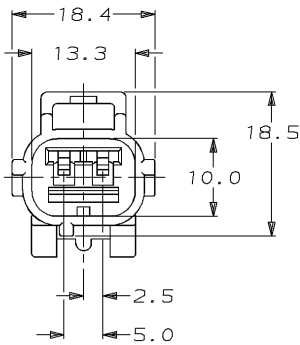
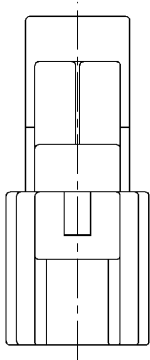
3

2

1

THIS DRAWING IS UNPUBLISHED. RELEASED FOR PUBLICATION , 19  
 © COPYRIGHT 19 BY AMP INCORPORATED. ALL RIGHTS RESERVED.

LOC	QTY	REVISIONS			
P	LTR	DESCRIPTION	DATE	DWN	APVD
0		INITIAL RELEASE	02/14/96	KW	JK
A		REV PER ECN #OKSO-0014-96	09/20/96	KW	JK



184169-1  
 PART NUMBER

<small>THIS DRAWING IS A CONTROLLED DOCUMENT FOR AMP INCORPORATED. IT IS SUBJECT TO CHANGE AND THE CONTROLLING ENGINEERING ORGANIZATION SHOULD BE CONTACTED FOR THE LATEST REVISION.</small>		DWN <b>K. WISE</b> 02/14/96 CHK <b>J. KUNKLE</b> 03/08/96 APVD <b>J. KUNKLE</b> 03/08/96 NAME <b>J. KUNKLE</b>	<b>AMP</b> AMP Incorporated Harrisburg, PA 17105-3608
DIMENSIONS: mm 	TOLERANCES UNLESS OTHERWISE SPECIFIED: 0 PLC ±- 1 PLC ±0.3 2 PLC ±- 3 PLC ±- 4 PLC ±- ANGLES ±- FINISH GRAY	PRODUCT SPEC APPLICATION SPEC WEIGHT - CUSTOMER DRAWING	CAP HSG, SSC, 2 POSN G KEY SIZE A3 CAGE CODE 00779 DRAWING NO ©-184169 SCALE 2:1 SHEET 1 OF 1 REV A

AMP1470-19 REV 10/93

20 SEP 1996 15:16:07 AMP33084:US128A>DEPT1135-U, SENSOR>U, 2POSN>U, ENDCAP>U, REV