

4

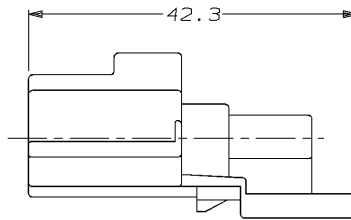
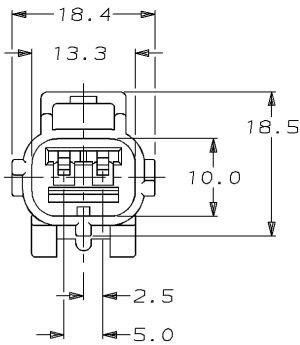
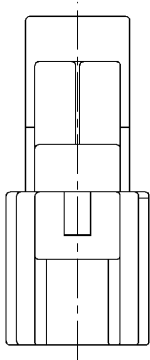
3

2

1

THIS DRAWING IS UNPUBLISHED. RELEASED FOR PUBLICATION , 19
 © COPYRIGHT 19 BY AMP INCORPORATED. ALL RIGHTS RESERVED.

LOC	QTY	REVISIONS				
P	LTR	DESCRIPTION	DATE	DWN	APVD	
0		INITIAL RELEASE	02/14/96	KW	JK	
A		REV PER ECN #OKSO-0014-96	09/20/96	KW	JK	



184166-1
 PART NUMBER

<small>THIS DRAWING IS A CONTROLLED DOCUMENT FOR AMP INCORPORATED. IT IS SUBJECT TO CHANGE AND THE CONTROLLING ENGINEERING ORGANIZATION SHOULD BE CONTACTED FOR THE LATEST REVISION.</small>		DWN K. WISE 02/14/96	AMP AMP Incorporated Harrisburg, PA 17105-3608
DIMENSIONS: mm 		CHK J. KUNKLE 03/08/95	
TOLERANCES UNLESS OTHERWISE SPECIFIED: 0 PLC ±- 1 PLC ±0.3 2 PLC ±- 3 PLC ±- 4 PLC ±- ANGLES ±-		APVD J. KUNKLE 03/08/95	NAME CAP HSG, SSC, 2 POSN D KEY
MATERIAL: PBT, 15% GLASS FILLED FINISH: DARK GREEN		PRODUCT SPEC - APPLICATION SPEC - WEIGHT -	SIZE: A3 CAGE CODE: 00779 DRAWING NO: ©-184166
CUSTOMER DRAWING		SCALE: 2:1	SHEET 1 OF 1 REV A

AMP1470-19 REV 10/93

_20 SEP 1996 14:59:32 AMP33084:US128A>DEPT1135-U, SENSOR>U, 2POSN>U, ENDCAP>U, REV