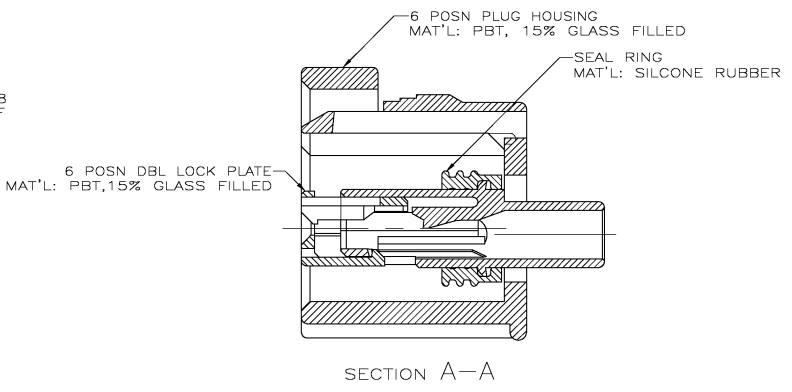
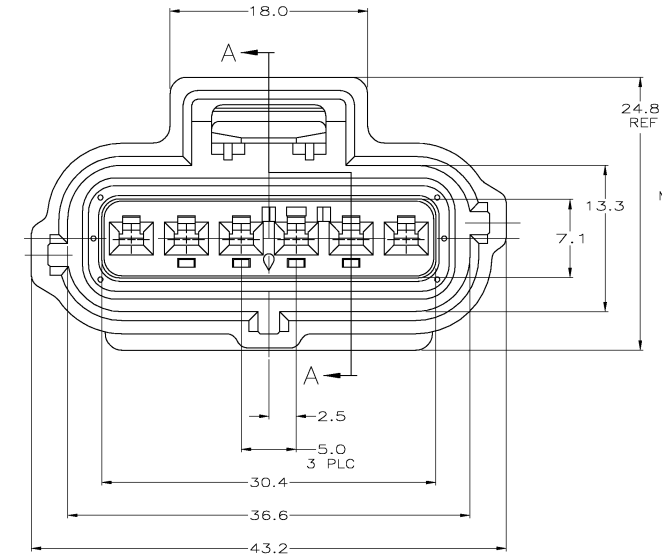
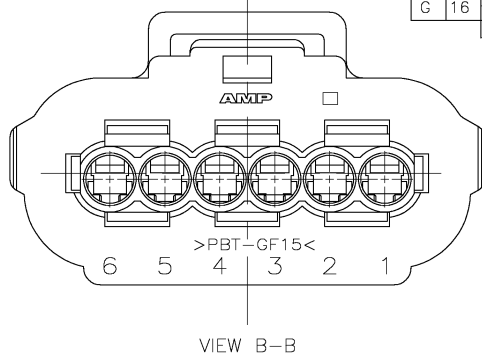
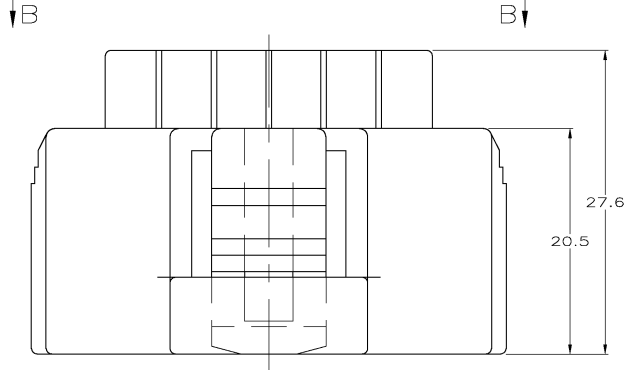


THIS DRAWING IS UNPUBLISHED. RELEASED FOR PUBLICATION
 © COPYRIGHT BY TYCO ELECTRONICS CORPORATION. ALL RIGHTS RESERVED.

LOC	DIST	REVISIONS		
P	LTR	DESCRIPTION	DATE	OWN
G	16			
B		EC 0K40-0177-04		



184128-1
PART NUMBER

THIS DRAWING IS A CONTROLLED DOCUMENT.		DRW KD LYTLE 3/29/98	Tyco Electronics Corporation Horriaburg, Pa 17105-3508
DIMENSIONS: mm		CHK HYTLD 4/4/98	
TO DIMENSIONS UNLESS OTHERWISE SPECIFIED: 0 PLC ± .1 1 PLC ± .1 2 PLC ± .13 3 PLC ± .1 4 PLC ± .1 ANGLES ± .5°		CT HYPER 4/4/98 PRODUCT SPEC APPLICATION SPEC WEIGHT	1 X 6 PLC ASY KEY D-C3 SEE CASE CODE DRAWING NO A2 00779 © 184128
MATERIAL FINISH		CUSTOMER DRAWING	RESTRICTED TO SCALE 4:1 SHEET 1 OF 1 REV B