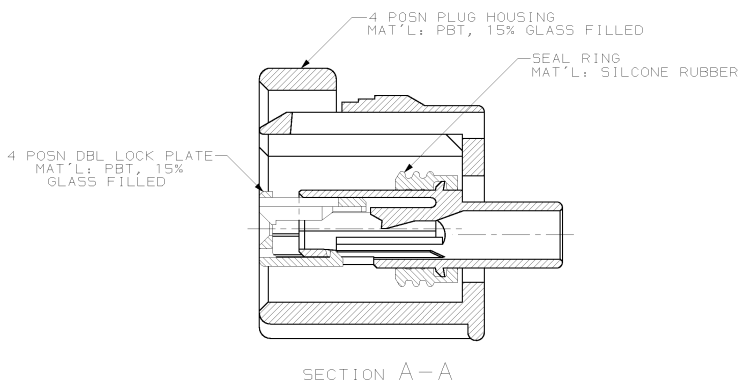
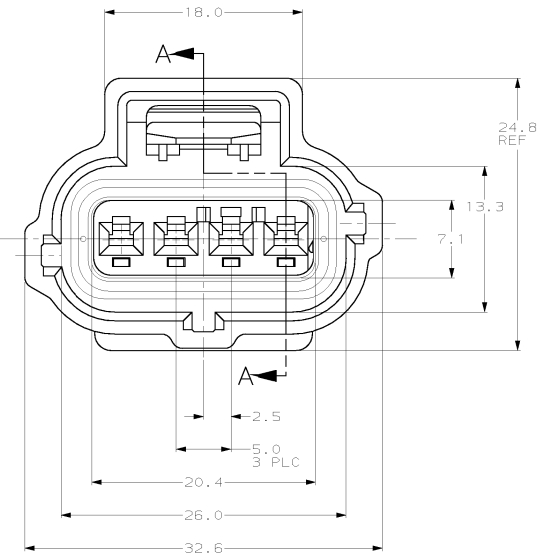
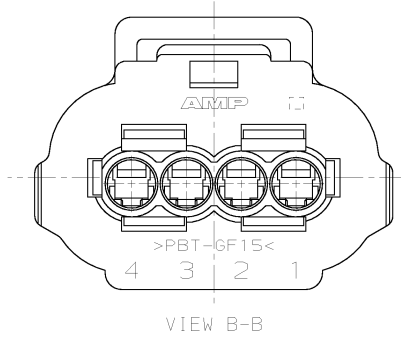
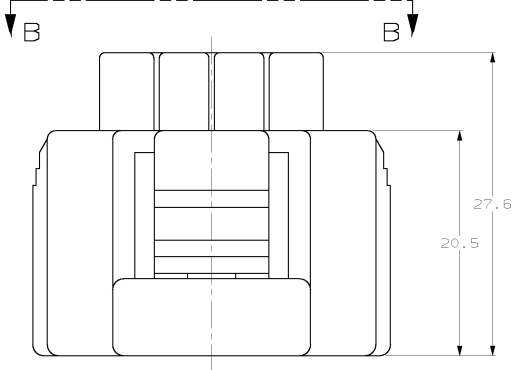


THIS DRAWING IS UNPUBLISHED. RELEASED FOR PUBLICATION. (C) COPYRIGHT 19 BY AMP INCORPORATED. ALL RIGHTS RESERVED.

REVOLUTIONS		DATE	BY	APP'D
0	RELEASED, WAS 92-4072-2329-4	0300795	KL	EO
A	REV PER EC# 0K40-0138-00	7-17-00	PC	GI



184052-1
PART NUMBER

<small>NOT WITHIN TOLERANCE SPECIFICATION FOR DIMENSIONS UNLESS OTHERWISE SPECIFIED FOR DIMENSIONS.</small>		JAN 0300795 D LITTLE 144U97 E OSWANDEL 144U97 D 144U97 0001	AMP AMP Incorporated Harrisburg, PA 17105-3608
OPERATIONS #1 0 PLC #+ 1 PLC #+ 2 PLC #+ 3 PLC #+ 4 PLC #+ ANGLES #+	DIMENSIONS UNLESS OTHERWISE SPECIFIED #+ #0.2 #+ #+ #+ #+ #+ #+ #+ #+	APPLICATION SPEC WEIGHT CUSTOMER DRAWING	1 X 4 PLG ASY KEY D-C3 SIZE 42 00779 DATE 184052 SCALE 4:1 1 OF 1 REV A

AMP 1471-9 REV 10/93
13-AUG-97 11:47:47 amp33084/home/ssr/v027o/dsk01/dept1135/amp33084/edmod