

4

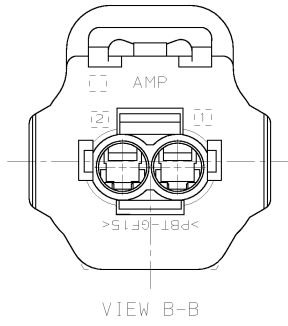
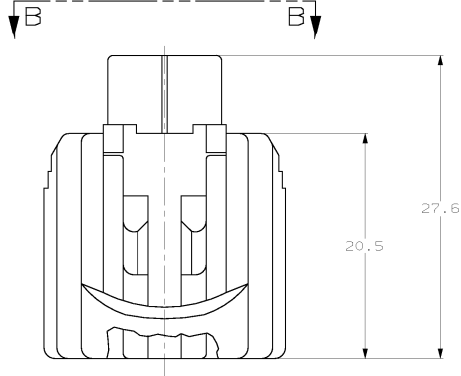
3

2

1

THIS DRAWING IS UNPUBLISHED. RELEASED FOR PUBLICATION
 (C) COPYRIGHT 19 BY AMP INCORPORATED. ALL RIGHTS RESERVED.

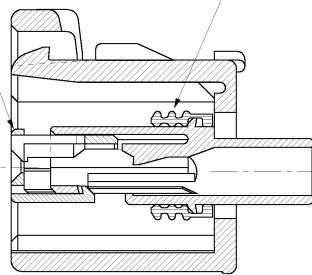
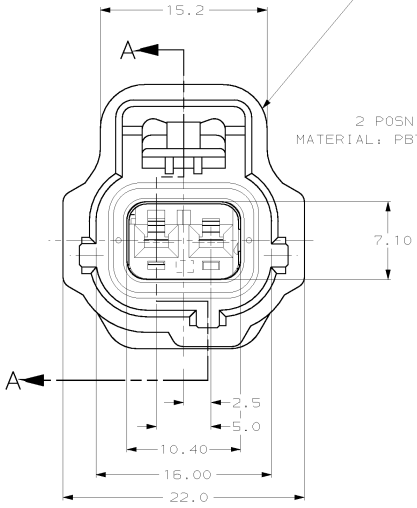
REVOLUTIONS		DATE	BY	APP'D
0	RELEASED, WAS 92-4072-2313-8	-	-	-
A	REV PER ECN 0720-0290-94 ADDED -2, 94-4072-028	10-21-94	KDL	JPK
B	REV PER ECN 0720-0446-94	12-16-94	KW	JK
C	ADD -3 PER ECN 0720-0640-95	05/25/95	KW	JK
D	REV PER ECN 0K50-0003-96	08/13/96	KW	JK
E	REV PER EC# 0K40-0140-00	7-10-00	PC	GI



2 POSN PLUG
 MATERIAL: PBT, 15% GLASS FILLED

SEAL RING
 MATERIAL: SILICONE RUBBER

2 POSN. DOUBLE LOCK PLATE
 MATERIAL: PBT, 15% GLASS FILLED



SECTION A-A

KEYING TYPE H

NOT RECOMMENDED FOR USE IN THE FOLLOWING APPLICATIONS: HIGH VOLTAGE (OVER 100V AC) AND HIGH CURRENT (OVER 10A)		DATE: 3/25/94 BY: J. LITTLE CHECKED: 4/19/94 APPROVED: [Signature]	AMP Incorporated Harrisburg, PA 17105-3608
DIMENSIONS: (DIMENSIONS UNLESS OTHERWISE SPECIFIED) #1 0 P.L.C. ±.00 1 P.L.C. ±.030 2 P.L.C. ±.015 3 P.L.C. ±.010 4 P.L.C. ±.005 ANGLES ±1° FINISH: FINE	PRODUCT SPEC: - APPLICATION SPEC: - WEIGHT: - MATERIAL: -	PART NO: 184014-3 184014-2 184014-1 PART NO: 184014-3 AMP 1 X 2 PLG ASY KEY H-C3 SIZE: A2 00779 VARE CODE: ©184014 MARKING: - SCALE: 4:1 SHEET: 11 REV: E	CUSTOMER DRAWING

AMP 1471-9 REV 10/93
 14 AUG 1996 10:09:55 AMP330844J51284-OEPT1135-U, SENGOR-U, 2POSN-U, ASSY-U, OUST-U, REV

184014
 B

A