

4

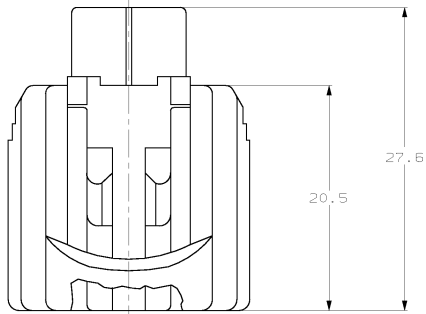
3

2

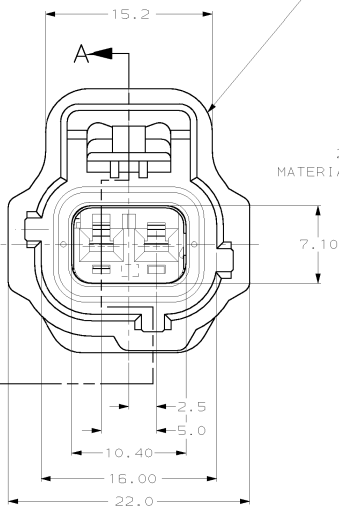
1

THIS DRAWING IS UNPUBLISHED. RELEASED FOR PUBLICATION. (C) COPYRIGHT IS BY AMP INCORPORATED. ALL RIGHTS RESERVED.

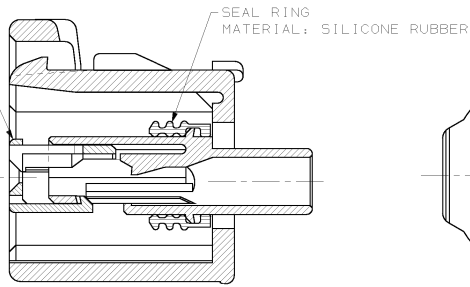
| REVOLUTION |      | REVISIONS                    |          |     |       |
|------------|------|------------------------------|----------|-----|-------|
| REV        | DATE | DESCRIPTION                  | DATE     | BY  | APP'D |
| 0          |      | RELEASED, WAS 92-4072-2313-5 | -        | -   | -     |
| A          |      | REV PER ECN 0720-0290-94     | 10/13/94 | KDL | JPK   |
| B          |      | REV PER ECN 0720-0446-94     | 12/16/94 | KW  | JK    |
| C          |      | REV PER ECN 0K50-0003-96     | 08/13/96 | KW  | JK    |
| D          |      | REV PER ECN 0K20-0025-97     | 29/JUL97 | KW  | JK    |
| E          |      | REV PER EC# 0K40-0140-00     | 6-28-00  | PC  | GI    |



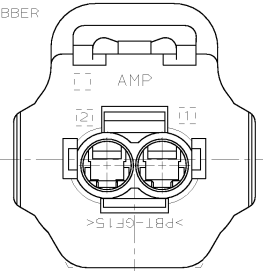
2 POSN PLUG  
MATERIAL: PBT, 15% GLASS FILLED



2 POSN. DOUBLE LOCK PLATE  
MATERIAL: PBT, 15% GLASS FILLED



SECTION A-A



KEYING TYPE E

|  |                              |
|--|------------------------------|
| GRAY   | 184008-2                     |
| BLACK  | 184008-1                     |
| PLUG COLOR   | PART NO                      |
| <b>AMP</b> AMP Incorporated<br>Harrisburg, PA 17105-3608 |                              |
| <b>1 X 2 PLG ASY KEY E-03</b>                            |                              |
| SIZE   | DATE CODE                    |
| A2 00779   | ©=184008                     |
| CUSTOMER DRAWING   | SCALE 4:1 SHEET 1 OF 1 REV E |

|                  |         |                                       |         |
|------------------|---------|---------------------------------------|---------|
| DIMENSIONS       |         | TOLERANCES UNLESS OTHERWISE SPECIFIED |         |
| FR               | 3/20/94 | FR                                    | 4/19/94 |
| REV              | 4/19/94 | REV                                   | 4/19/94 |
| PRODUCT SPEC     |         | APPLICATION SPEC                      |         |
| WEIGHT           |         | WEIGHT                                |         |
| CUSTOMER DRAWING |         | CUSTOMER DRAWING                      |         |

AMP 1471-9 REV 10/93

05-AUG-97 11:46:02 amp33084/home/ssr/v02to/dsk01/dept1135/amp33084/edmod