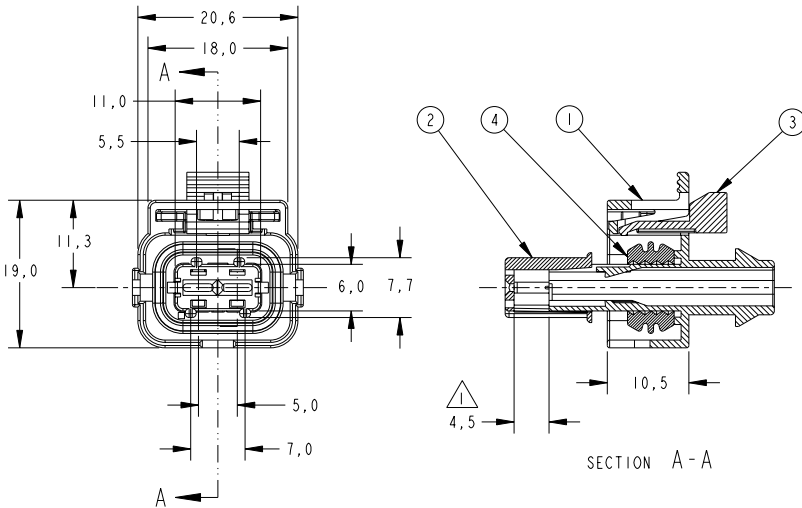


THIS DRAWING IS UNPUBLISHED. RELEASED FOR PUBLICATION
 © COPYRIGHT 20 BY - ALL RIGHTS RESERVED.

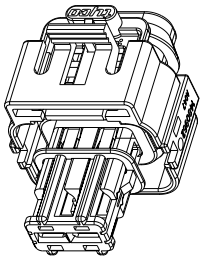
LOC	DIST	REVISIONS			
P	LTR	DESCRIPTION	DATE	DMN	APVD
AP	-				
F2		REVISED DESIGN ECO-12-000766	16 JAN 2012	NCL	MLO



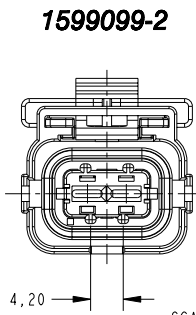
GRAVAÇÃO MARKING
LOGOTIPO TE
TE LOGO
CÓDIGO PAÍS PRODUTOR
MANUFACTURER COUNTRY CODE
NOMENCLATURA MATERIAL
MATERIAL NOMENCLATURE
NÚMERO COMPONENTE TE
TE COMPONENT NUMBER
NÚMERO CAVIDADE
CAVITY NUMBER
IDENTIFICAÇÃO CIRCUITO
CIRCUIT IDENTIFICATION
PAÍS PRODUTOR
MANUFACTURER COUNTRY
REVISÃO DA PEÇA
PART REVISION



△ - POSIÇÃO DE PRÉ TRAVAMENTO DA TRAVA SECUNDÁRIA, FORNECIDO CONFORME MOSTRADO. △ - PRE LOCK POSITION OF SECONDARY LOCK, SUPPLIED AS SHOWN.
 2 - TERMINAIS E SELOS: VIDE DESENHO GRUPO DE PRODUTO - C 1355038. 2 - TERMINALS AND SEALS: SEE PRODUCT GROUP DRAWING - C 1355038.



PERSPECTIVE VIEW
SCALE 2:1



SCALE 2:1

REQ. PER ASSY	ITEM	DESCRIPTION	MATERIAL	FINISH
	1 - 3	CONECTOR POSITION ASSURANCE	PA 6.6 +30XF.V.	AMARELO / YELLOW
	1 - 4	SEAL, 2 POSM., RCPT.	SILICONE	LARANJA / ORANGE
	- 1 - 3	CONECTOR POSITION ASSURANCE	PA 6.6 +30XF.V.	AMARELO / YELLOW
	1 - 2	SPACER, 2 POSM., RCPT.	PA 6.6 +15XF.V.	AZUL / BLUE
	- 1 - 2	SPACER, 2 POSM., RCPT.	PA 6.6 +15XF.V.	AMARELO / YELLOW
	1 - 1	HOUSING, 2 POSM., RCPT.	PA 6.6 +30XF.V.	CINZA / GRAY
	- 1 - 1	HOUSING, 2 POSM., RCPT.	PA 6.6 +30XF.V.	PRETO / BLACK

THIS DRAWING IS A CONTROLLED DOCUMENT.		DMN M.R. BRIZ 06SEP2002		
DIMENSIONS: mm		CHK P.L. FARIA 06SEP2002		
TOLERANCES UNLESS OTHERWISE SPECIFIED:		APVD L.W. PRADO 06SEP2002	NAME HOUSING ASSY., 2 POSITION, SENSOR FLAT, RECEPTACLE.	
0 PLC ±		PRODUCT SPEC -	SIZE A3	
1 PLC ±0,3		APPLICATION SPEC -	CAGE CODE 00779	DRAWING NO C-1599099
2 PLC ±		WEIGHT -	RESTRICTED TO -	
3 PLC ±		CUSTOMER DRAWING	SCALE 2:1	SHEET 1 OF 1
4 PLC ±				REV F2
ANGLES ±1°				
MATERIAL - FINISH -				