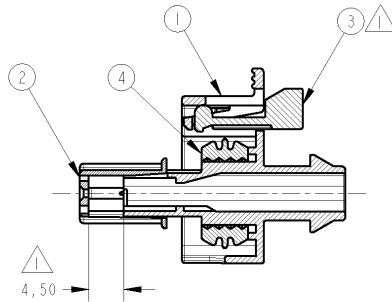
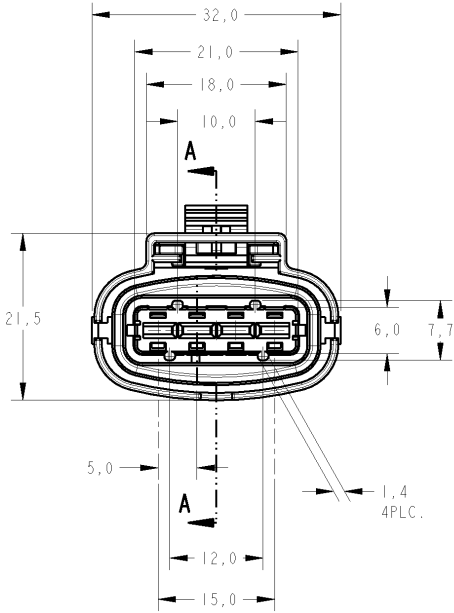


THIS DRAWING IS UNPUBLISHED. RELEASED FOR PUBLICATION
 © COPYRIGHT 20 BY TYCO ELECTRONICS CORPORATION. ALL RIGHTS RESERVED.

LOC	DIST	REVISIONS				
P	LTR	DESCRIPTION	DATE	DWN	APVD	
AP	-					
D		UPDATE ACCORDING TO	EC-191704	05APR2004	MRB PLF	
E		REVISED BY	ECO-07-011909	22MAY2007	NCL MR	
-	-					
-	-					

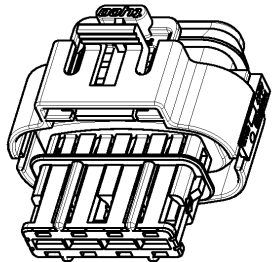
CAD FILE
 DO NOT REVISE EXCEPT BY CAD



SECTION A-A

- 1 - POSIÇÃO DE PRÉ TRAVAMENTO DA TRAVA SECUNDÁRIA, FORNECIDO CONFORME MOSTRADO. / PRE LOCK POSITION OF SECONDARY LOCK, SUPPLIED AS SHOWN.
- 2 - TERMINAIS E SELOS: VIDE DESENHO GRUPO DE PRODUTO - C 1355038. / TERMINALS AND SEALS: SEE PRODUCT GROUP DRAWING - C 1355038.

GRAVAÇÃO MARKING
LOGOTIPO TYCO TYCO LOGO
CÓDIGO PAÍS PRODUTOR MANUFACTURER COUNTRY CODE
NOMENCLATURA MATERIAL MATERIAL NOMENCLATURE
NÚMERO COMPONENTE TYCO TYCO COMPONENT NUMBER
NÚMERO CAVIDADE CAVITY NUMBER
IDENTIFICAÇÃO CIRCUITO CIRCUIT IDENTIFICATION
PAÍS PRODUTOR MANUFACTURER COUNTRY
REVISÃO DA PEÇA PART REVISION



PERSPECTIVE VIEW
 SCALE 2:1

REQ. PER ASSY	ITEM	DESCRIPTION	MATERIAL	FINISH
	4	SEAL, 4 POSN., RCPT	SILICONE	LARANJA / ORANGE
	3	CONECTOR POSITION ASSURANCE	PA 6.6 +30%FV.	AMARELO / YELLOW
	2	SPACER, 4 POSN., RCPT.	PA 6.6 +15%FV.	AMARELO / YELLOW
	1	HOUSING, 4 POSN., RCPT.	PA 6.6 +30%FV.	PRETO / BLACK

DIMENSIONS:		TOLERANCES UNLESS OTHERWISE SPECIFIED:		DWN		TYCO ELECTRONICS do Brasil LTDA.	
mm				CHK	DATE	NAME	São Paulo, Brasil
		0 PLC	±	M. R. BRIZ	20AUG2002		
		1 PLC	±0.3	P. L. FARIAS	20AUG2002		
		2 PLC	±	I. W. PRADO	20AUG2002		
		3 PLC	±				
		4 PLC	±				
		ANGLES	±1°				
MATERIAL	- / -	FINISH	- / -	PRODUCT SPEC	-	APPLICATION SPEC	-
				WEIGHT	-	SIZE	CAGE CODE
						A3	00779
				CUSTOMER DRAWING		DRAWING NO	C=1480968
						RESTRICTED TO	-
						SCALE	2:1
						SHEET	1 of 1
						REV	E