

4

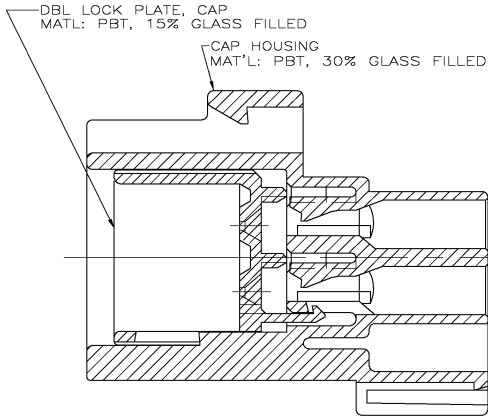
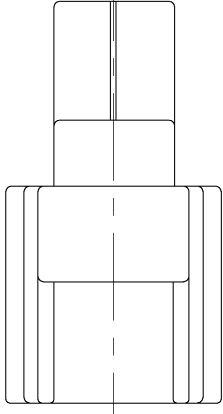
3

2

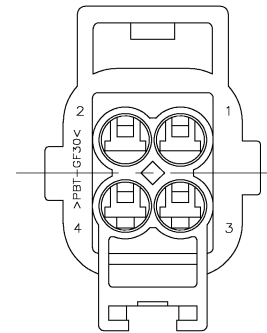
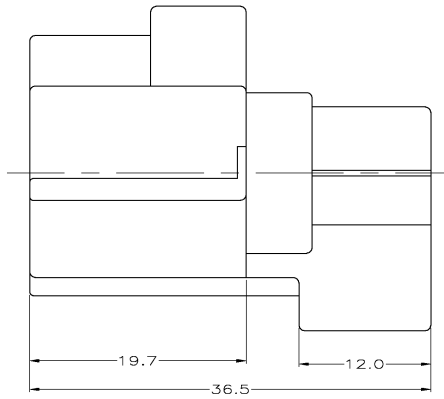
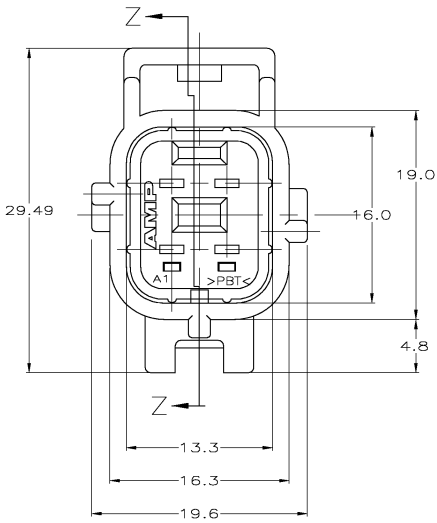
1

THIS DRAWING IS UNPUBLISHED. RELEASED FOR PUBLICATION
 © COPYRIGHT BY TYCO ELECTRONICS CORPORATION. ALL RIGHTS RESERVED.

LOC		DIST		REVISIONS			
P	LTR	DESCRIPTION	DATE	OWN	APPD		
G	EC	0K40-0014-03	03FEB03	JRB	KLC		



SECTION Z-Z
SCALE 4:1



GRAY	184355-2
BLACK	184355-1
CAP COLOR	PART NUMBER

THIS DRAWING IS A CONTROLLED DOCUMENT.		DWN P. YEAGER 02A099 CHK C. INHOFFER 02A099 APPD G. INHOFFER 02A099 NAME PRODUCT SPEC APPLICATION SPEC WEIGHT MATERIAL FINISH	Tyco Electronics Tyco Electronics Corporation Harrisburg, PA 17105-3608 2 X 2 CAP ASY, KEY B-C3 SEE CASE CODE DRAWING NO. A2 00779 © 184355 CUSTOMER DRAWING SCALE 4:1 SHEET 1 OF 1 REV G	RESTRICTED TO G
--	--	---	---	--------------------