

4

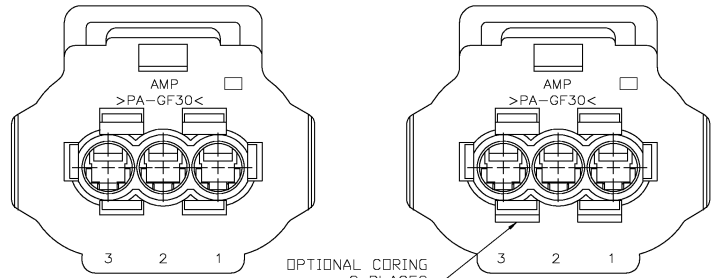
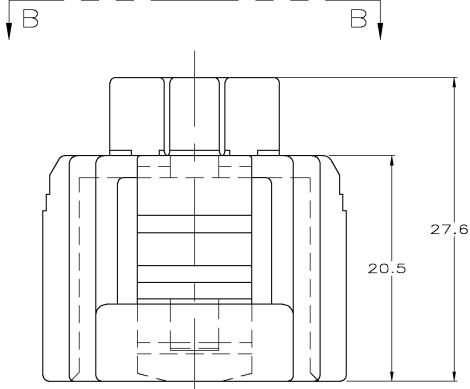
3

2

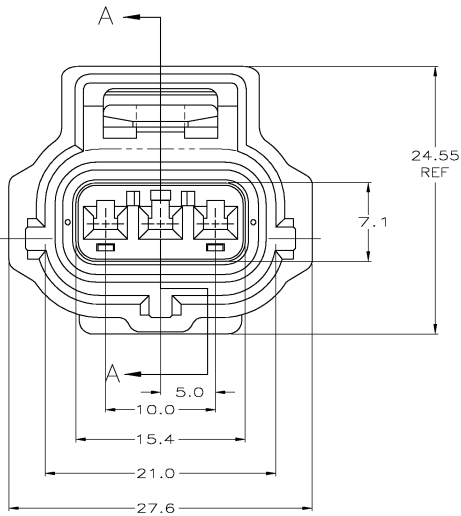
1

THIS DRAWING IS UNPUBLISHED. RELEASED FOR PUBLICATION. BY TYCO ELECTRONICS CORPORATION. ALL RIGHTS RESERVED.

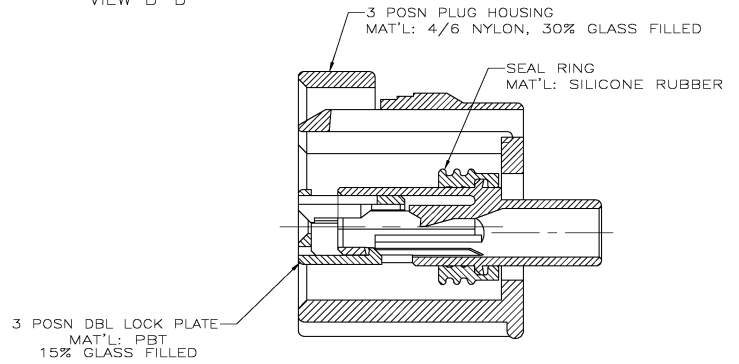
LOC		DIST		REVISIONS			
GE	00	P	LTR	DESCRIPTION	DATE	OWN	APP'D
		E		REVISED PER EC 0K40-0387-04	19NOV2004	DLD	KLK



VIEW B-B



KEYING TYPE B



SECTION A-A

BLACK	184315-1
HOUSING COLOR	PART NUMBER
tyco Electronics Tyco Electronics Corporation Horriaburg, PA 17105-3608	
1 X 3 PLUG ASSEMBLY KEY B-C4	
SEE CASE CODE	DRAWING NO.
A200779	184315
CUSTOMER DRAWING	RESTRICTED TO
SCALE 4:1	SHEET 1 OF 1

THIS DRAWING IS A CONTROLLED DOCUMENT.		DRW	KD	LYTLE	05/05/98
		CHK	KUNKLE		05/12/98
		APP	KUNKLE		05/12/98
		DATE			
		PROJECT			
		APPLIC			
		WEIGHT			
		FINISH			