

4

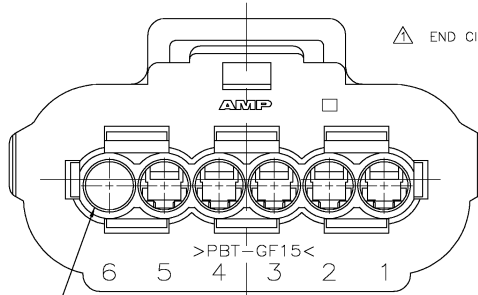
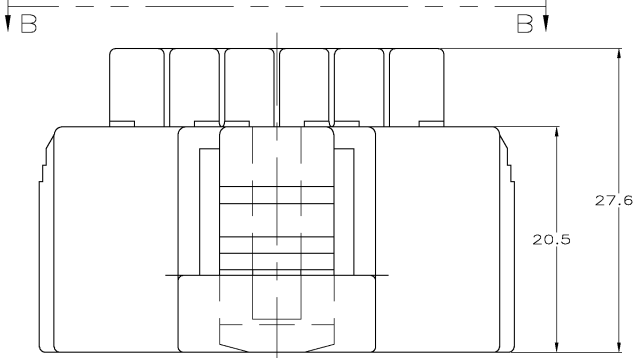
3

2

1

THIS DRAWING IS UNPUBLISHED. RELEASED FOR PUBLICATION
 © COPYRIGHT BY TYCO ELECTRONICS CORPORATION. ALL RIGHTS RESERVED.

LOC	DIST	REVISIONS		
P	LTR	DESCRIPTION	DATE	OWN
G	16			
B		EC 0K40-0177-04	120CT04	JRB/KLC

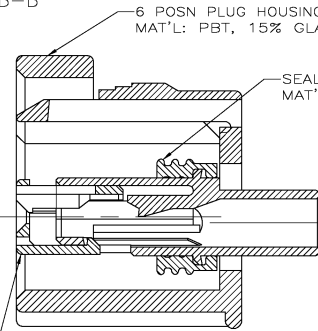


△ END CIRCUIT NUMBER 6 IS BLOCKED.

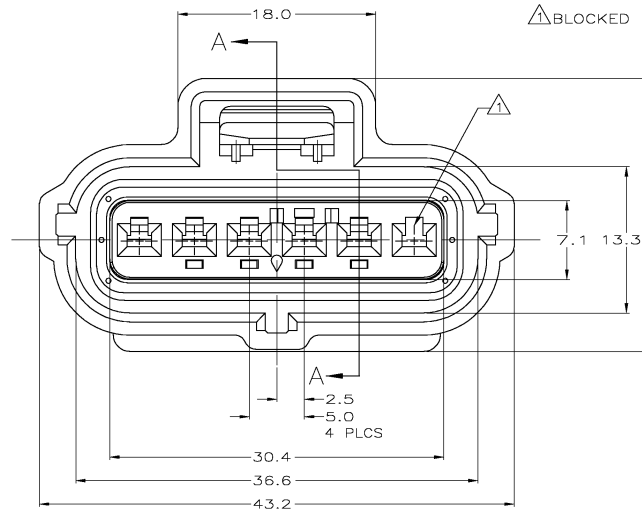
VIEW B-B

6 POSN PLUG HOUSING
 MAT'L: PBT, 15% GLASS FILLED

SEAL RING
 MAT'L: SILICONE RUBBER



SECTION A-A



6 POSN DBL LOCK PLATE
 MAT'L: PBT, 15% GLASS FILLED

184313-1
 PART NUMBER

THIS DRAWING IS A CONTROLLED DOCUMENT.		DRW KD LYTLE 05/05/98	Tyco Electronics Corporation Horriarsburg, Pa 17105-3608
DIMENSIONS: mm		CHK JIP KUNKLE 05/12/98	
0 P.L.C. ± .05 1 P.L.C. ± .05 2 P.L.C. ± .05 3 P.L.C. ± .05 4 P.L.C. ± .05 ANGLES ± .5°		APP JIP KUNKLE 05/13/98	1 X 6B PLG ASY KEY A-C3 108-1790 APPLICATION SPEC 114-8004
MATERIAL	FINISH	WEIGHT	SEE CASE CODE DRAWING NO A2 00779 © 184313 RESTRICTED TO
CUSTOMER DRAWING		SCALE 4:1	SHEET 1 OF 1 REV B