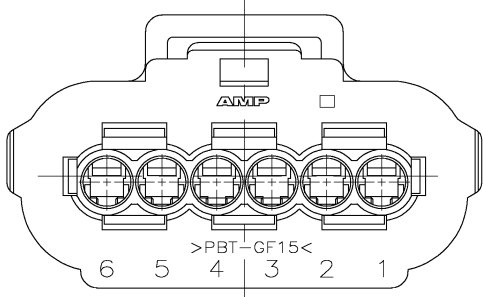
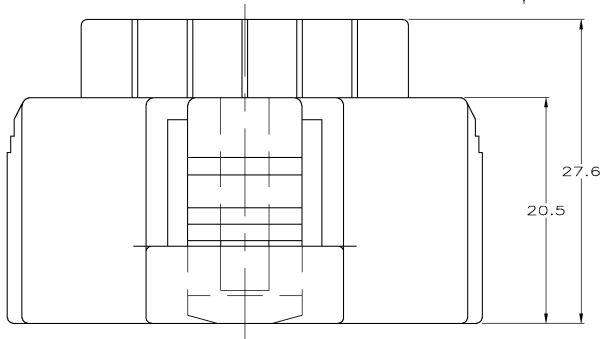
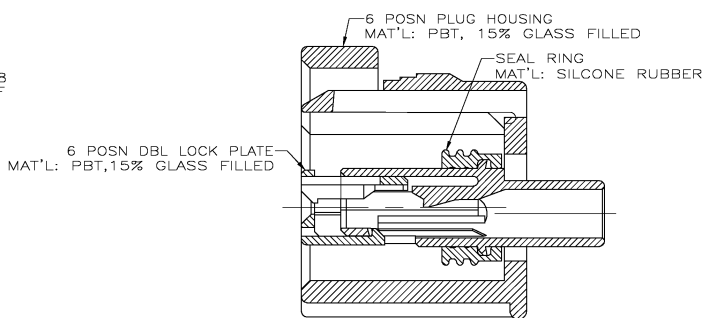
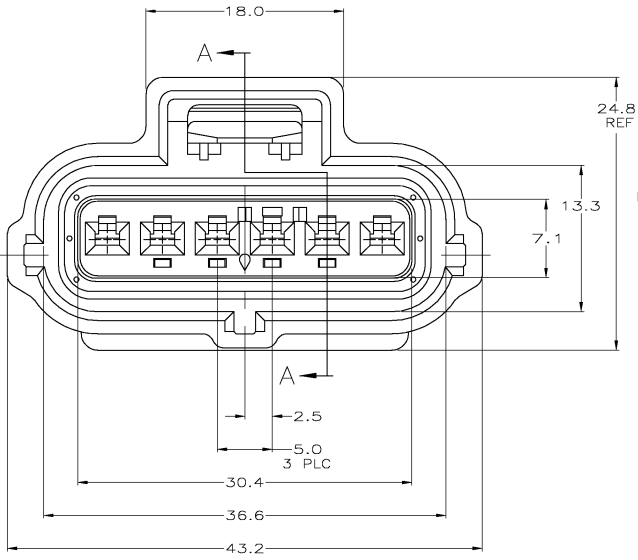


THIS DRAWING IS UNPUBLISHED. RELEASED FOR PUBLICATION
 © COPYRIGHT BY TYCO ELECTRONICS CORPORATION. ALL RIGHTS RESERVED.

LOC		DIST		REVISIONS		
G	16	P	LTR	DESCRIPTION	DATE	OWN
		B	EC	0K40-0177-04	12AUG04	JRB/KLC



VIEW B-B



SECTION A-A

184124-1
 PART NUMBER

THIS DRAWING IS A CONTROLLED DOCUMENT.		DRW	KD	LYTLE	3/29/98	Tyco Electronics	Tyco Electronics Corporation		
		CHK	HYER	4/4/98	Horrisburg, Pa 17105-3508				
		CL	HYER	4/4/98	NAME	1 X 6 PLC ASY KEY B-C3			
		APG	HYER	4/4/98	PRODUCT SPEC	-			
						APPLICATION SPEC	-		
						WEIGHT	-		
						SEE	CAGE CODE	DRAWING NO	RESTRICTED TO
						A2	00779	184124	-
						CUSTOMER DRAWING	SCALE	4:1	SHEET 1 OF 1 REV B

AMP 1471-9 REV 31MAY2000