

4

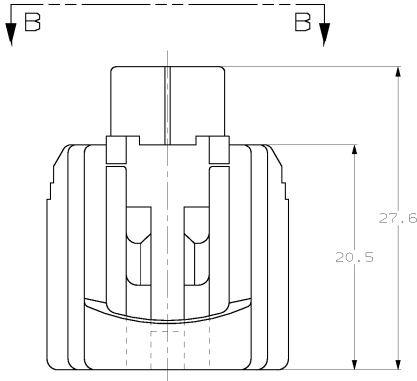
3

2

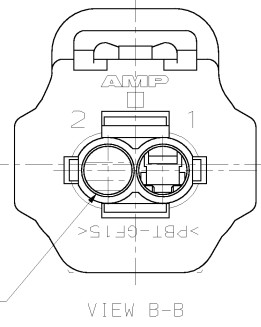
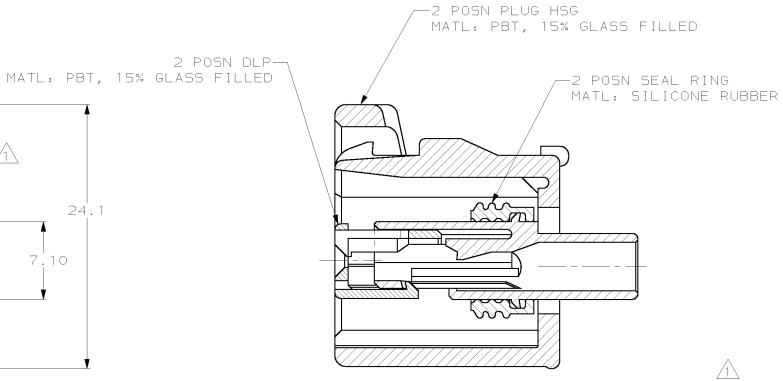
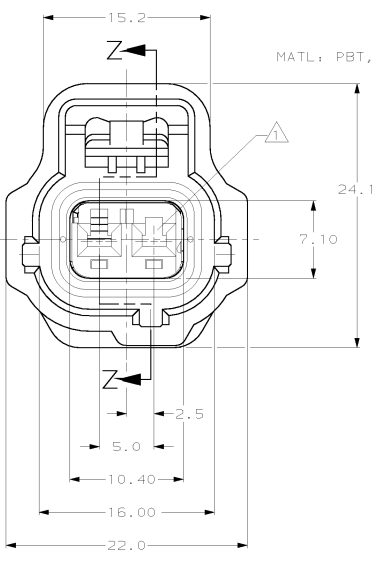
1

THIS DRAWING IS UNPUBLISHED. RELEASED FOR PUBLICATION
 (C) COPYRIGHT IS BY AMP INCORPORATED. ALL RIGHTS RESERVED.

REVISIONS			
REV	DATE	DESCRIPTION	BY
0	05/25/95	RELEASED	KW JK
A	08/14/96	REV PER ECN OK50-0003-96	KW JK
B	11/05/97	REV PER ECN OK20-0037-97	KL JK
C	7-11-00	REV PER EC# OK40-0140-00	PC GI



NOTES:
 △ CIRCUIT #2 IS BLOCKED.



BLACK	184116-2
BROWN	184116-1
COLOR	PART NO

17-NOV-97 14:15:02 amp24764/home/ssr/v027o/dsk01/dept1135/amp24764/edmod		AMP 1471-9 REV 10/93	
DIMENSIONS:		FINISH:	
DIMENSIONS:		PL WISE: 05/25/95	
DIMENSIONS:		PL UNKLE: 06/05/95	
DIMENSIONS:		PL UNKLE: 06/05/95	
DIMENSIONS:		APPLICATION SPEC:	
DIMENSIONS:		WEIGHT:	
DIMENSIONS:		CUSTOMER DRAWING:	
DIMENSIONS:		AMP Incorporated Harrisburg, PA 17105-3608	
DIMENSIONS:		1 X 2B PLG ASY KEY H-C3	
DIMENSIONS:		SIZE: A2 00779	
DIMENSIONS:		DATE: 00779	
DIMENSIONS:		SCALE: 4:1	
DIMENSIONS:		SHEET: 1 OF 1	
DIMENSIONS:		REV: C	