

4

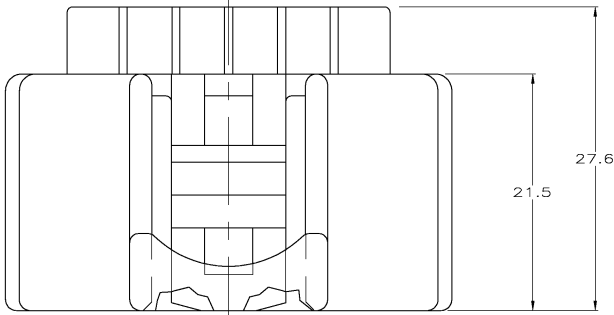
3

2

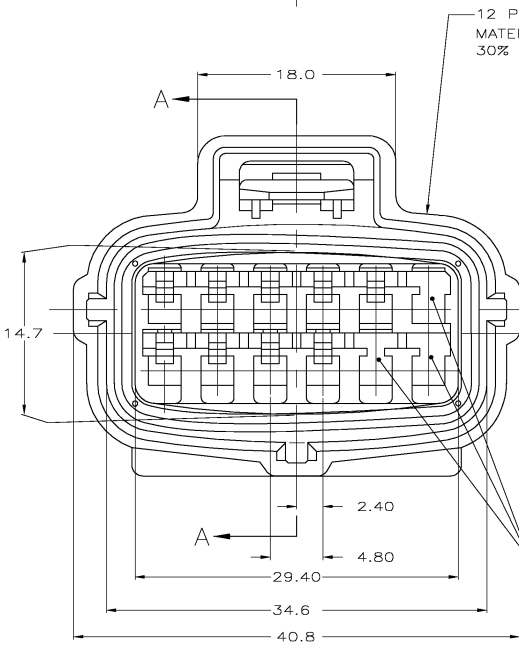
1

THIS DRAWING IS UNPUBLISHED. RELEASED FOR PUBLICATION. BY TYCO ELECTRONICS CORPORATION. ALL RIGHTS RESERVED.

LOC		DIST		REVISIONS			
P	LTR	DESCRIPTION	DATE	OWN	APPD		
GE	00	J	REV PER EC DK40-044B-03	25JUN03	AH	KLC	

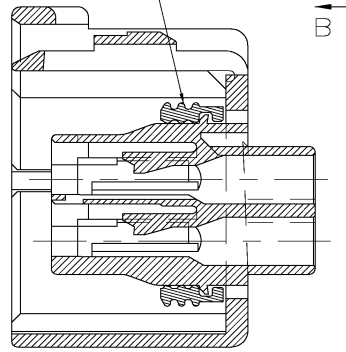


SECONDARY LOCK PLATE, P/N 184058-1, REQUIRED AS A SEPARATE COMPONENT.

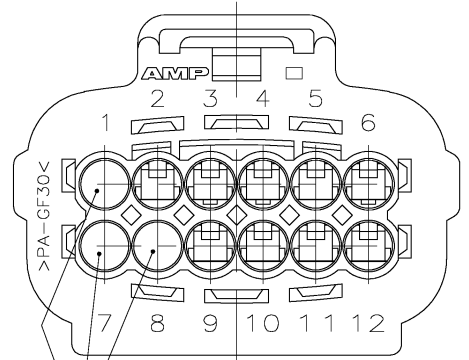


12 POSITION PLUG
MATERIAL: 4/6 NYLON
30% GLASS FILLED

SEAL RING
MATERIAL:
SILICONE RUBBER



THESE CIRCUITS
BLOCKED
(#1, #7, #8)



THESE CIRCUITS
BLOCKED

BLACK	184099-1
PLUG COLOR	PART NUMBER
Tyco Electronics Corporation Harrisburg, PA 17105-3608	
12 POSITION PLUG ASSY.	
SEE	CAGE CODE
A2	00779
DRAWING NO. 184099	
RESTRICTED TO	
CUSTOMER DRAWING	
SCALE	4:1
SHEET	1 OF 1
REV	J

AMP 1431-9 REV 31 MAR 2000

H:\DMTEG_files

184099

A