

4

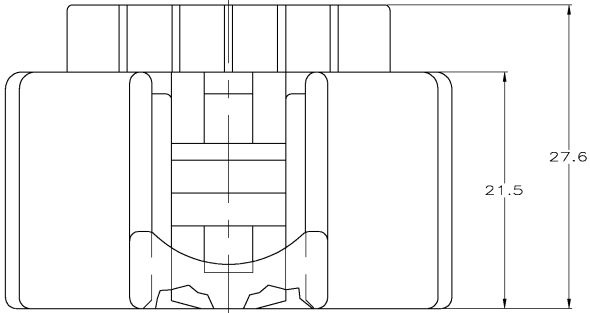
3

2

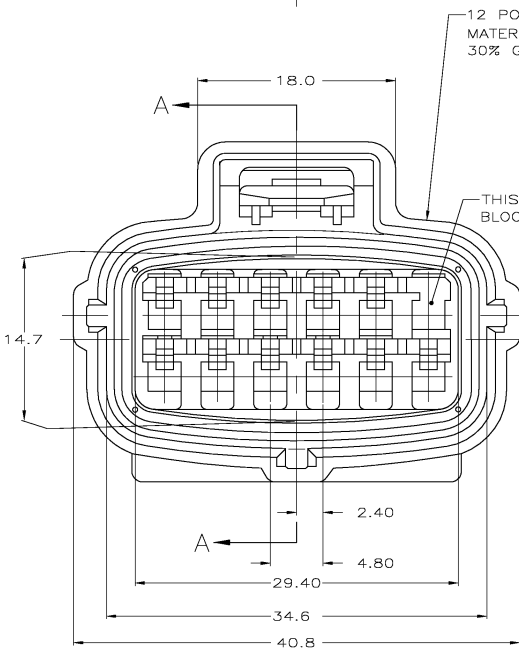
1

THIS DRAWING IS UNPUBLISHED. RELEASED FOR PUBLICATION  
 © COPYRIGHT BY TYCO ELECTRONICS CORPORATION. ALL RIGHTS RESERVED.

LOC		DIST		REVISIONS			
P	LTR	DESCRIPTION	DATE	OWN	APPD		
GE	00	J	REV PER EC 0K40-044B-03	25JUN03	AH	KLC	



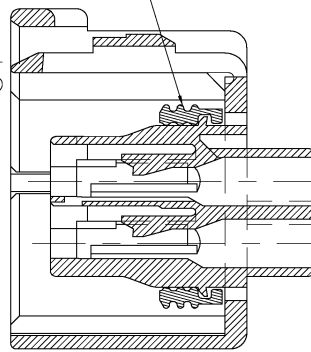
SECONDARY LOCK PLATE, P/N 184058-1, REQUIRED AS A SEPARATE COMPONENT.



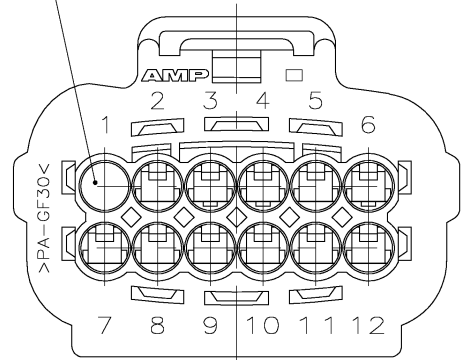
12 POSITION PLUG  
 MATERIAL: 4/6 NYLON  
 30% GLASS FILLED

SEAL RING  
 MATERIAL:  
 SILICONE RUBBER

THIS CIRCUIT  
 BLOCKED (#1)



THIS CIRCUIT  
 BLOCKED



THIS DRAWING IS A CONTROLLED DOCUMENT.		DRW	KD	LYTLE	5/16/94	BLACK	184097-1
		CHK	JP	KUNKLE	11/10/94	PLUG COLOR	PART NUMBER
		APPD	JP	KUNKLE	11/10/94	Tyco Electronics Corporation Horriaburg, PA 17105-3608	
		PRODUCT SPEC			12 POSITION PLUG ASSY.		
DIMENSIONS:		TOLERANCES UNLESS OTHERWISE SPECIFIED:		APPL		SEE DATE CODE DRAWING NO	
MW	0 P.L.C.	±	0.3	APPL		RESTRICTED TO	
	1 P.L.C.	±	0.15	APPL		A2 00779 © 184097	
	2 P.L.C.	±	0.15	APPL		SCALE 4:1 SHEET 1 OF 1 REV J	
	3 P.L.C.	±	0.15	APPL			
	4 P.L.C.	±	0.15	APPL			
	ANGLES	±	8°	APPL			
MATERIAL	FINISH			CUSTOMER DRAWING			

AMP 1471-9 REV 31 MAR 2000

H:\DMTEG\_files

184097

A