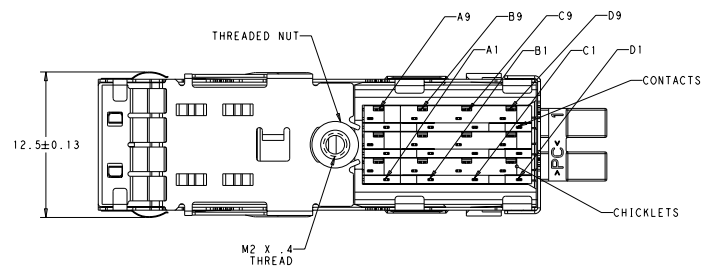
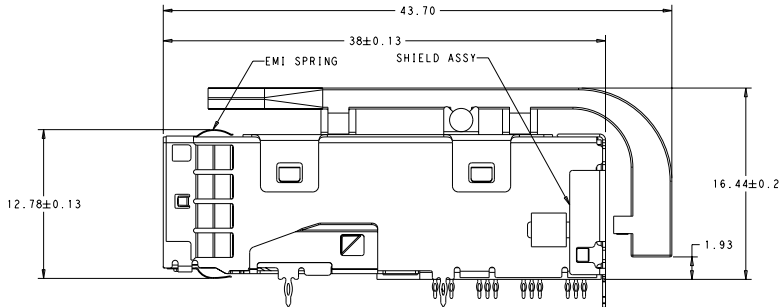
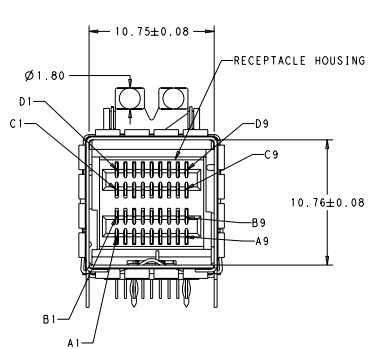


DATE DRAWING TO BE PUBLISHED	RECEIVED FOR PUBLICATION
02/03/2022	02/03/2022

REVISED		REVISIONS	
NO	DATE	DESCRIPTION	BY
1	00	PROPOSED	JTS
2		REMOVED PRELIMINARY NOTE	JTS
		ADDED NOTE 5	JTS



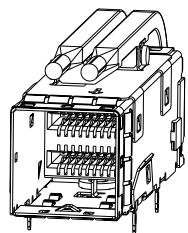
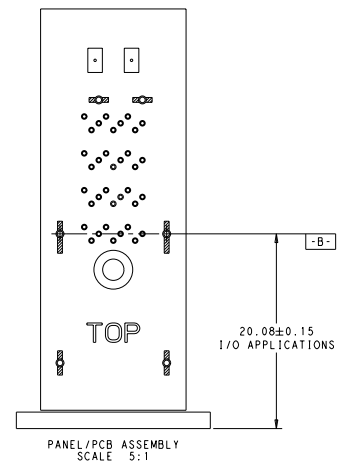
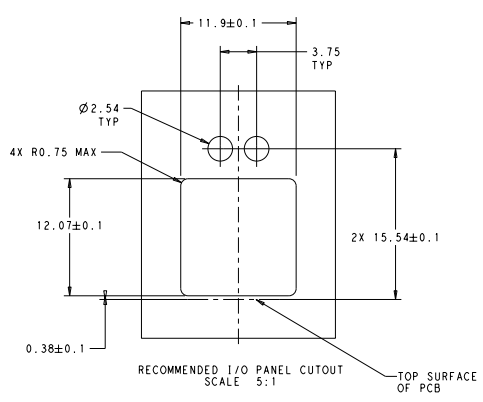
1. MATERIALS
 RECEPTACLE HOUSING: LCP, BLACK, UL94V-0 RATED
 SHIELD ASSY: NICKEL-SILVER COPPER ALLOY
 CONTACTS: COPPER ALLOY
 EMI SPRING: COPPER ALLOY
 THREADED NUT: BRASS
 CHICKLETS: LCP, BLACK, UL 94V-0 RATED
 LIGHTPIPE CLIP: STAINLESS STEEL
 LIGHTPIPE: POLYCARBONATE
 2. FINISH
 EMI SPRING: TIN PLATE OVER NICKEL PLATE
 NON-PLATED EDGES PERMISSIBLE
 THREADED NUT: NICKEL PLATE
- ⚠ CONTACT FINISH: CONFORMS TO THE REQUIREMENTS OF THE PRODUCT SPECIFICATION, 108-2399, BASED ON EIA/IECA-364-1000.01A. (CONTROLLED ENVIRONMENT APPLICATIONS) ON MATING END. TIN PLATED ON PCB TAIL
4. THREAD LENGTH OF FASTENER = PCB THICKNESS+1.45 MAX
 5. THIS PRODUCT HAS NOT COMPLETED VALIDATION/QUALIFICATION TESTING

2198484-1
PART NUMBER

THIS DRAWING IS A CONTROLLED DOCUMENT.		REV. 00	SECURITY: UNCLASSIFIED
DATE: 02/03/2022	BY: JTS	DATE: 02/03/2022	SECURITY: UNCLASSIFIED
PROJECT NO: 108-2462	PRODUCTION DOC: 116-13316		
RECEPTACLE ASSEMBLY, MINI-SAS HD-1X BY LIGHT PIPES		STATE: CA	CUSTOMER NO: 00779
CUSTOMER DRAWING		PART NUMBER: 2198484-1	

DATE REVISIONS TO IMPLEMENTED REVISIONS FOR PUBLICIZATION
 © 20152012 00 ALL RIGHTS RESERVED

REV	DATE	DESCRIPTION	BY	CHK	APP
00		SEE SHEET 1			



THIS DRAWING IS A CONTROLLED DOCUMENT.		REV	SECURITY	SN0V2011
DRAWING NO.		REV	SECURITY	SN0V2011
DATE	BY	DATE	BY	DATE
100-2462	100-2462	100-2462	100-2462	100-2462
116-13316	116-13316	116-13316	116-13316	116-13316
00779	00779	00779	00779	00779
CUSTOMER DRAWING		RECEPTACLE ASSEMBLY, MINI-SAS HD 1x BY LIGHT PIPES		
PAGE 6:1		SHEET 3 OF 3		