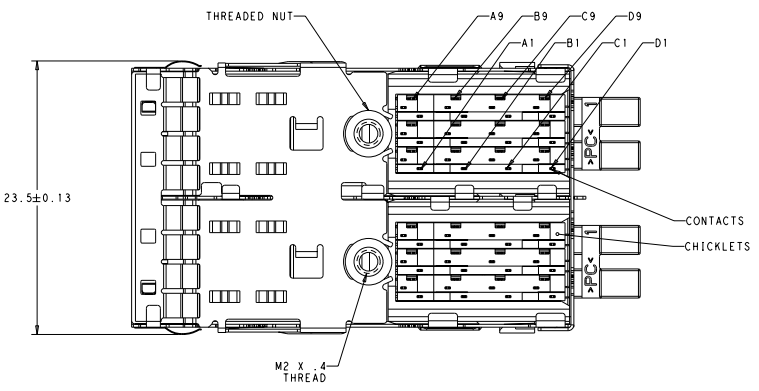
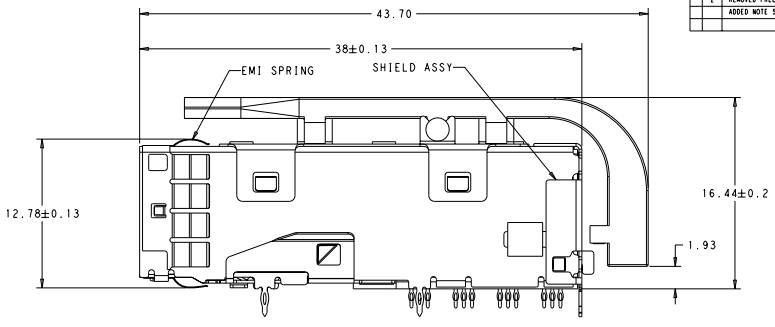
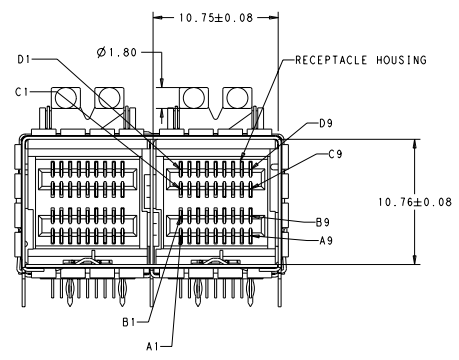


REV. NO.		DESCRIPTION	DATE	BY	CHK
1	PROPOSED		15NOV2011	JTS	JTS
2	REMOVED PRELIMINARY NOTE		25JAN2012	PK	JTS
ADDED NOTE 5					



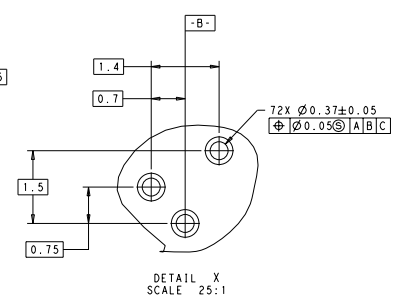
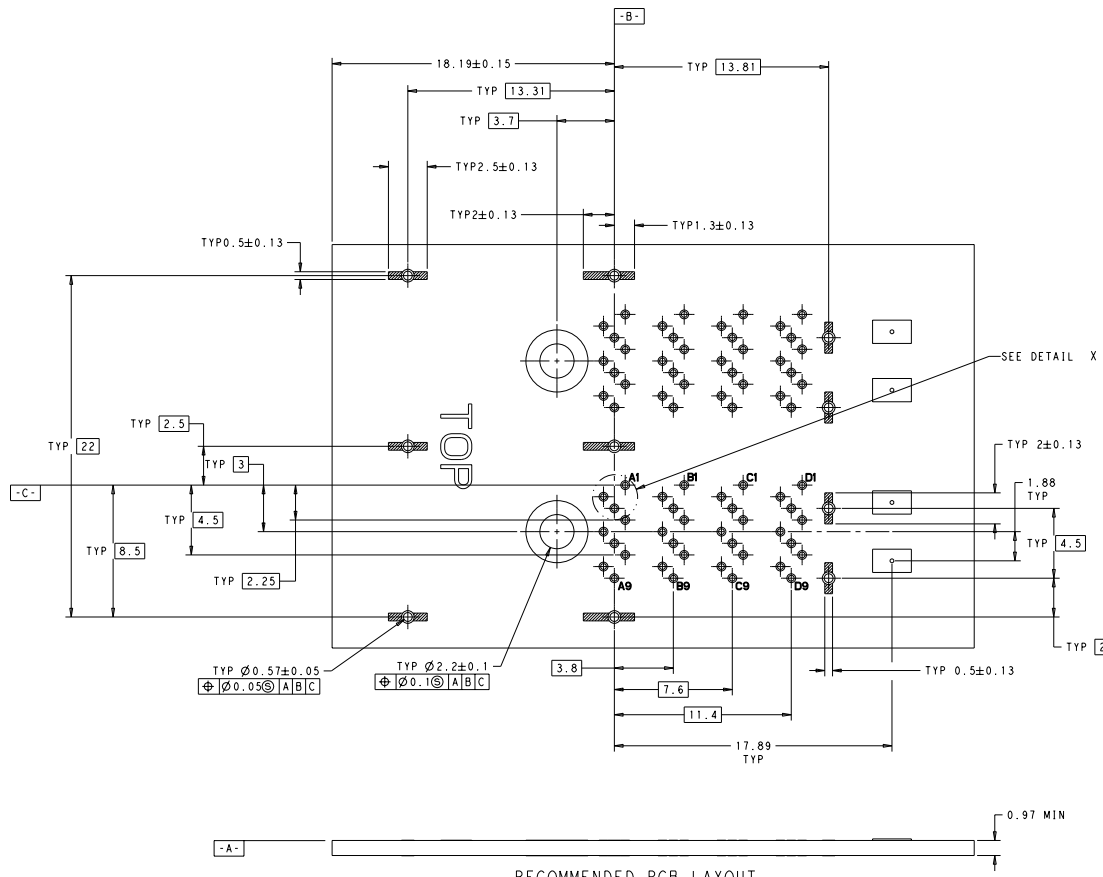
- MATERIALS**
 RECEPTACLE HOUSING: LCP, BLACK, UL94V-0 RATED
 SHIELD ASSY: NICKEL-SILVER COPPER ALLOY
 CONTACTS: COPPER ALLOY
 EMI SPRING: COPPER ALLOY
 THREADED NUT: BRASS
 CHICKLETS: LCP, BLACK, UL 94V-0 RATED
 LIGHTPIPE CLIP: STAINLESS STEEL
 LIGHTPIPE: POLYCARBONATE
 - FINISH**
 EMI SPRING: TIN PLATE OVER NICKEL PLATE
 NON-PLATED EDGES PERMISSIBLE
 THREADED NUT: NICKEL PLATE
- ⚠ **CONTACT FINISH:** CONFORMS TO THE REQUIREMENTS OF THE PRODUCT SPECIFICATION, 108-2399, BASED ON EIA/IECA-364-1000.01A. (CONTROLLED ENVIRONMENT APPLICATIONS) ON MATING END. TIN PLATED ON PCB TAIL
- THREAD LENGTH OF FASTENER = PCB THICKNESS+1.45 MAX
 - THIS PRODUCT HAS NOT COMPLETED VALIDATION/QUALIFICATION TESTING

2198483-1
PART NUMBER

THIS DRAWING IS A CONTROLLED DOCUMENT.		REV. 00	SECURITY: UNCLASSIFIED	DATE: 15NOV2011
DESIGNED BY: [Signature]	DESIGNED BY: [Signature]	DATE: 15NOV2011	SECURITY: UNCLASSIFIED	DATE: 15NOV2011
PROJECT NO: 108-2462	PRODUCTION DOC: 016-13316	STATE: [Signature]	CAGE CODE: [Signature]	DATE: 15NOV2011
MATERIAL: [Signature]	PRICE: [Signature]	REVISION: [Signature]	CUSTOMER DRAWING: [Signature]	DATE: 15NOV2011

STMicroelectronics TE Connectivity
RECEPTACLE ASSEMBLY, MINI-SAS HD, 2X BY LIGHT PIPES
 A | 00779 | 2198483 | 6:1 | 1 | 3 | 2

REV	DATE	DESCRIPTION	BY	CHK	APP
00		SEE SHEET 1			

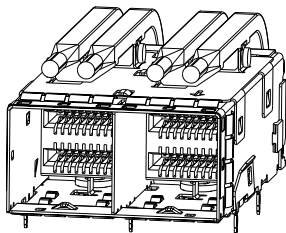
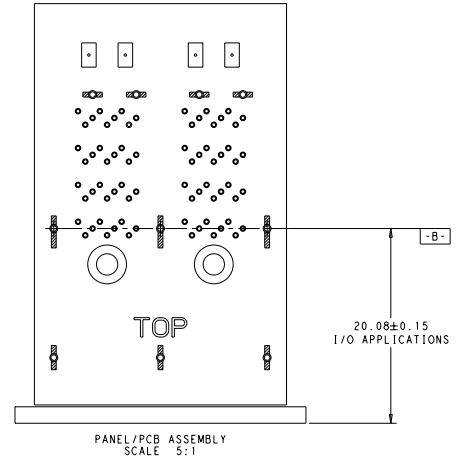
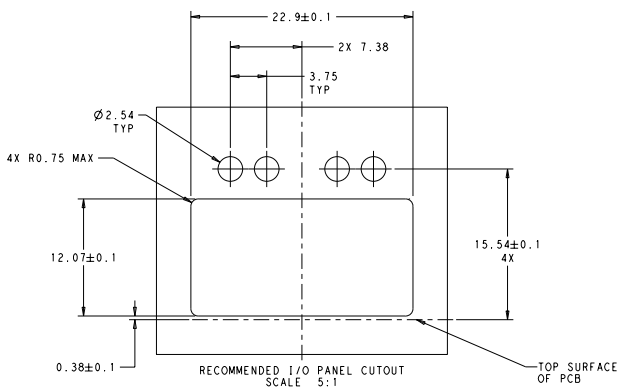


RECOMMENDED PCB LAYOUT

THIS DRAWING IS A CONTROLLED DOCUMENT.		REV: SCHUBERT, 18NOV2011	TE Connectivity RECEPTACLE ASSEMBLY, MINI-SAS HD-2X BY LIGHT PIPES
DATE: 18NOV2011	BY: SCHUBERT, 18NOV2011	REV: 1	
APP: 188-2462	PROJ: 114-13316	STATE: A	SCALE CODE: DRAWING NO. 00779 © 2198483 CUSTOMER DRAWING
DATE: 114-13316	REV: 1	STATE: A	SHEET: 2 OF 2 PART: 188-2462

8	7	6	5	4	3	2	1
FILE NUMBER TO IMPROVE	REVISION FOR PUBLICITY						
© 20182022	ALL RIGHTS RESERVED						

REV	DATE	DESCRIPTION	BY	CHK	APP
00		SEE SHEET 1			



THIS DRAWING IS A CONTROLLED DOCUMENT.		REV	SECURITY	SNWZ0011
DRAWN BY: 012018/04/25/2018		CHK	SECURITY	SNWZ0011
DATE	188-2462	PROJECT NO.	RECEPTACLE ASSEMBLY, MINI-SAS HD, 2X BY LIGHT PIPES	
REV	116-13316	PRODUCTION DOC		
DATE		REV	SIZE SCALE CODE DRAWING NO	
DATE		REV	A 00779 2198483	
CUSTOMER DRAWING		DATE	6.11	SHEET 3 OF 3