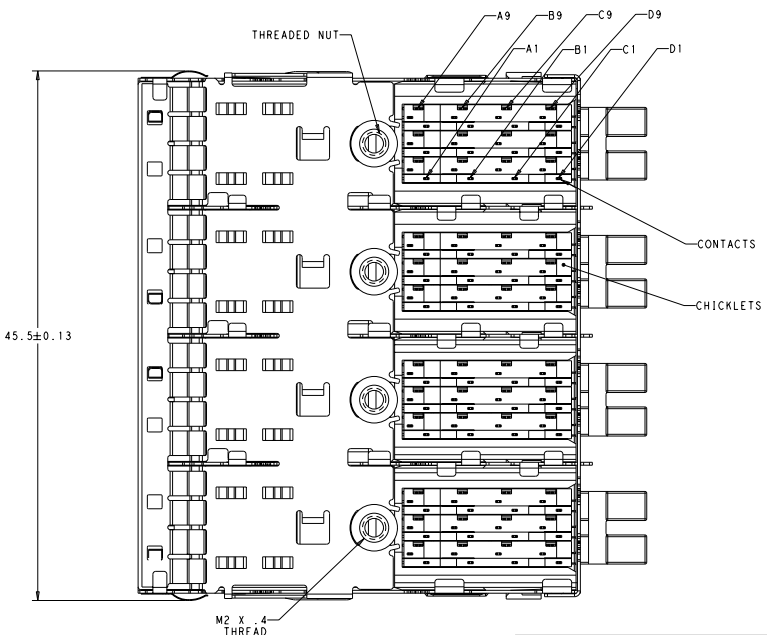
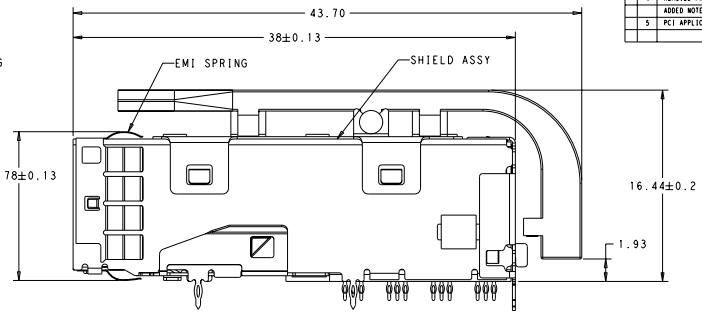
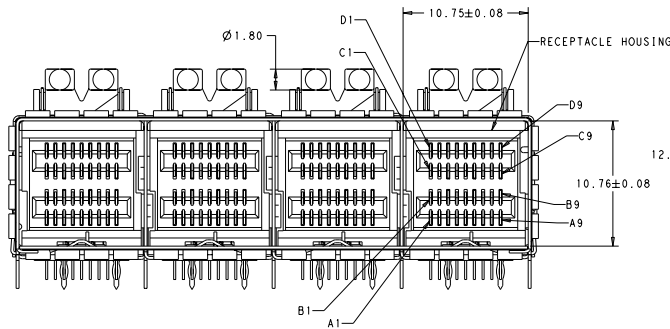


REVISED		REVISIONS	
NO.	DATE	DESCRIPTION	BY
4		REMOVED PRELIMINARY NOTE	JS
		ADDED NOTE 5	JS
5		PCI APPLICATION DIMENSIONS REMOVED	JS



1. MATERIALS
 RECEPTACLE HOUSING: LCP, BLACK, UL94V-0 RATED
 SHIELD ASSY: NICKEL-SILVER COPPER ALLOY
 CONTACTS: COPPER ALLOY
 EMI SPRING: COPPER ALLOY
 THREADED NUT: BRASS
 CHICKLETS: LCP, BLACK, UL 94V-0 RATED
 LIGHTPIPE CLIP: STAINLESS STEEL
 LIGHTPIPE: POLYCARBONATE
 2. FINISH
 EMI SPRING: TIN PLATE OVER NICKEL PLATE
 NON-PLATED EDGES PERMISSIBLE
 THREADED NUT: NICKEL PLATE
- ⚠ CONTACT FINISH: CONFORMS TO THE REQUIREMENTS OF THE PRODUCT SPECIFICATION, 108-2399, BASED ON EIA/IECA-364-1000.01A. (CONTROLLED ENVIRONMENT APPLICATIONS) ON MATING END. TIN PLATED ON PCB TAIL
4. THREAD LENGTH OF FASTENER = PCB THICKNESS+1.45 MAX
 5. THIS PRODUCT HAS NOT COMPLETED VALIDATION/QUALIFICATION TESTING

2180736-1
PART NUMBER

THIS DRAWING IS A CONTROLLED DOCUMENT.		APPROVED BY: [Signature]	DATE: 08/20/2018
DESIGNED BY: [Signature]	DATE: 08/20/2018	REVISIONS: [Signature]	DATE: 08/20/2018
PROJECT NO: 108-2462	PRODUCTION DOC: 016-13316	STATE: A	SCALE CODE: [Symbol]
CUSTOMER DRAWING		PART NUMBER: 2180736-1	

