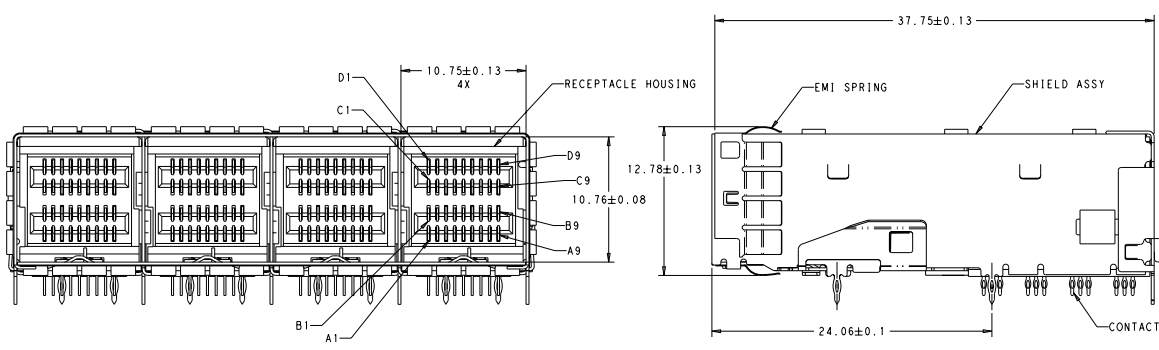
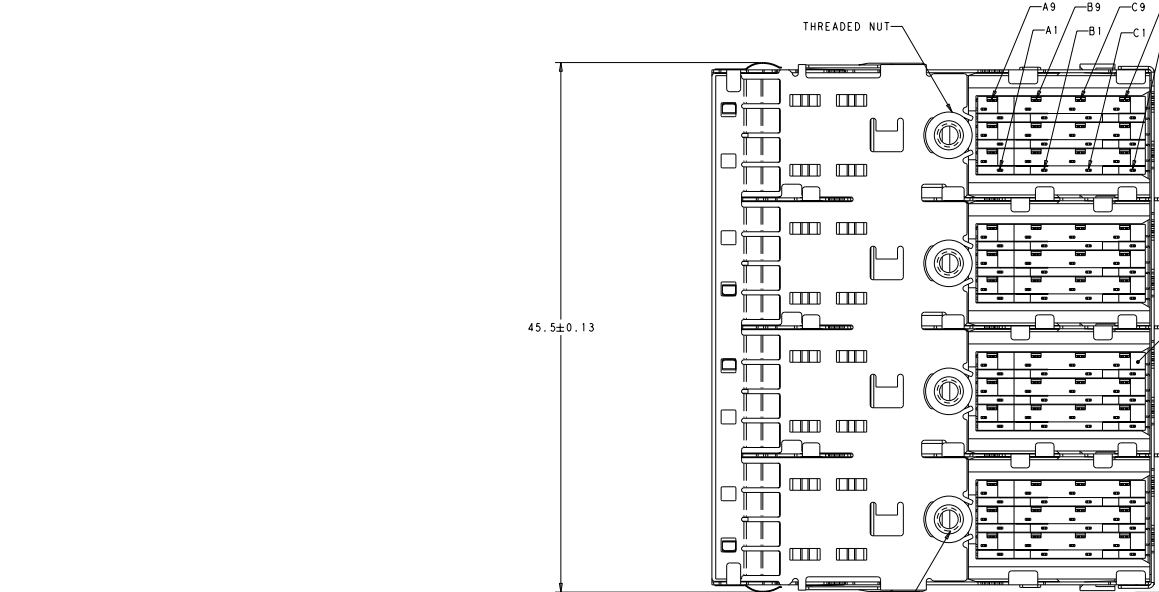


REV	DATE	DESCRIPTION	BY	CHK	APP
1	00	REMOVED PRELIMINARY NOTE	BLUMHILF	PA	JS
		ADDED NOTE 5			
8		PC1 APPLICATION DIMENSION ADDED	BLUMHILF	JS	JS



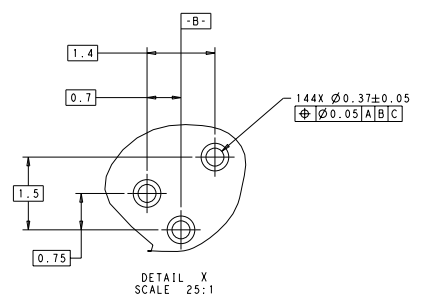
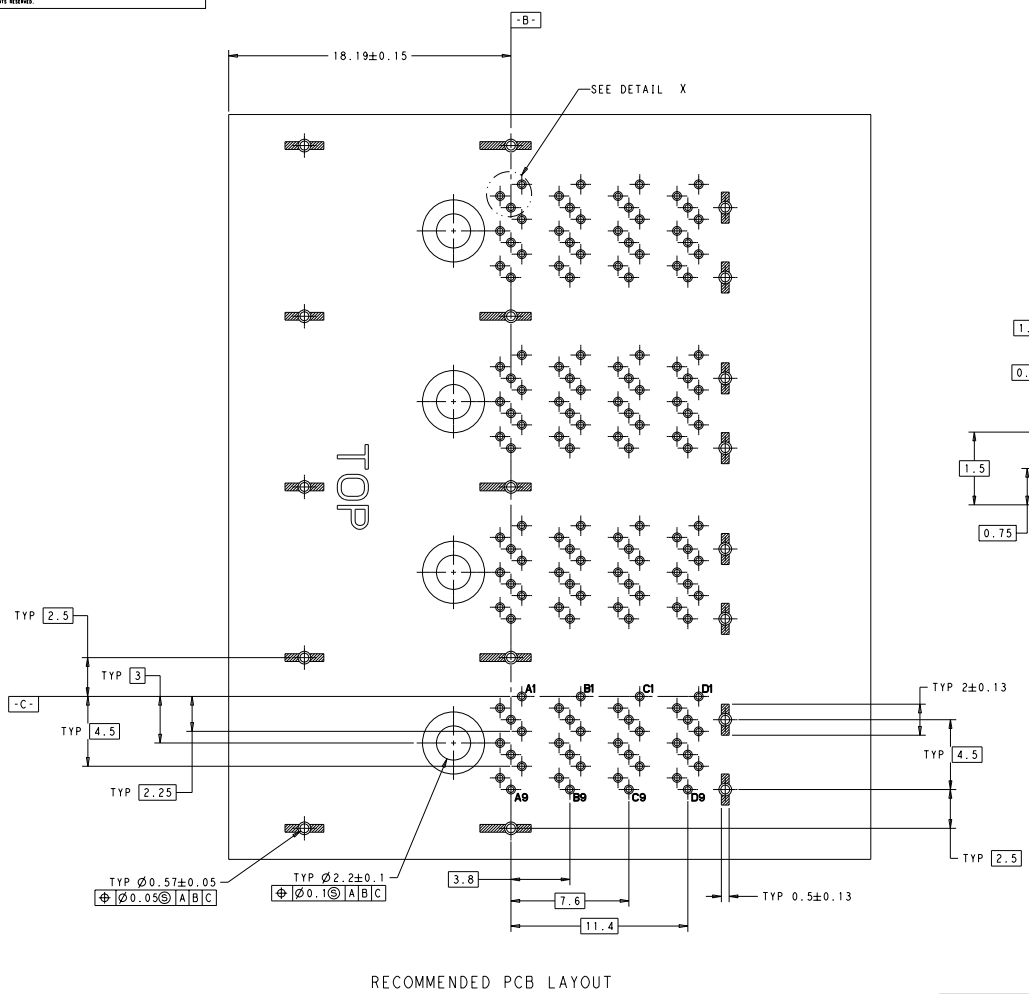
1. MATERIALS
 RECEPTACLE HOUSING: LCP, BLACK, UL94V-0 RATED
 SHIELD ASSY: NICKEL SILVER COPPER ALLOY
 CONTACTS: COPPER ALLOY
 EMI SPRING: COPPER ALLOY
 THREADED NUT: BRASS
 CHICKLETS: LCP, BLACK, UL 94V-0 RATED
 2. FINISH
 EMI SPRING: TIN PLATE OVER NICKEL PLATE
 NON-PLATED EDGES PERMISSIBLE
 THREADED NUT: NICKEL PLATE
- △ CONTACT FINISH: CONFORMS TO THE REQUIREMENTS OF TE PRODUCT SPECIFICATION, 108-2399. BASED ON EIA/ECA-364-1000.01A. (CONTROLLED ENVIRONMENT APPLICATIONS) ON MATING END. TIN PLATED ON PCB TAIL
4. THREAD LENGTH OF FASTENER = PCB THICKNESS + 1.45 MAX
 5. THIS PRODUCT HAS NOT COMPLETED VALIDATION/QUALIFICATION TESTING



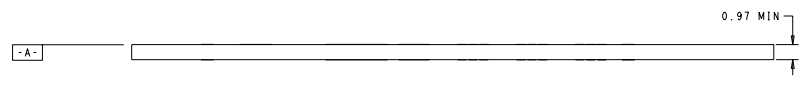
2149375-1
 PART NUMBER

THIS DRAWING IS A CONTROLLED DOCUMENT.		APPROVED BY: [Signature]	DATE: 08/11/2011
DESIGNED BY: [Signature]	DATE: 08/11/2011	REVISIONS: [Signature]	DATE: 08/11/2011
PROJECT: 108-2462	DESCRIPTION: RECEPTACLE ASSEMBLY, MINI-SAS HD, 4x	STATE: CA	CUSTOMER: [Signature]
DATE: 08/11/2011	REV: A	REV: 1	REV: 8

REV	DATE	DESCRIPTION	BY	CHK	APP
00		SEE SHEET 1			

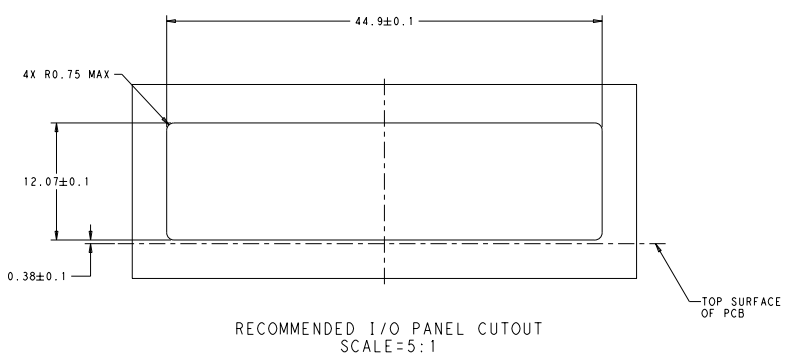


RECOMMENDED PCB LAYOUT

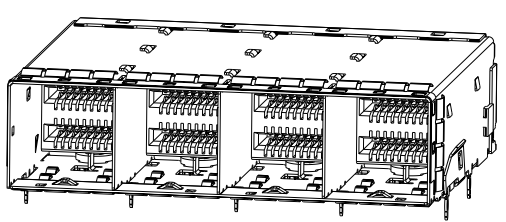
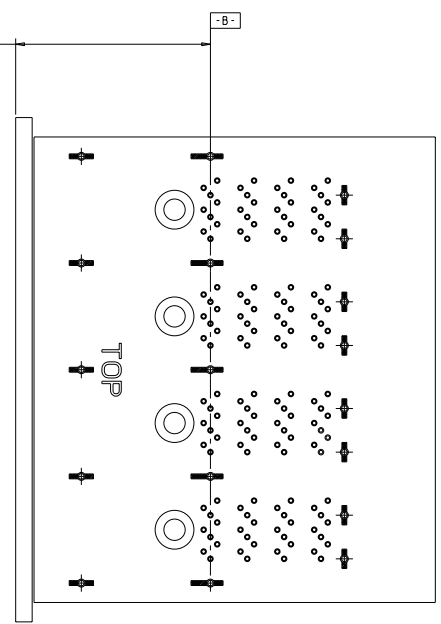


THIS DRAWING IS A CONTROLLED DOCUMENT.		REV: 00	DATE: 04/20/2015	TE Connectivity RECEPTACLE ASSEMBLY, MINI-SAS HD, 4x
DRAWING NO: 00000000000000000000 PART NO: 100-2462 QUANTITY: 1000 DATE: 03-13-15 BY: [Signature] CHECKED: [Signature]	TITLE: CUSTOMER DRAWING NO: A PART NO: 007790-2149375 CUSTOMER DRAWING	SCALE: 25:1 SHEET: 2 OF 8	DRAWN BY: [Signature] CHECKED BY: [Signature]	

REV	DATE	DESCRIPTION	BY	CHK	APP
00		SEE SHEET 1			



19 PCI APPLICATION
 20,08 ALL OTHER APPLICATIONS



THIS DRAWING IS A CONTROLLED DOCUMENT.		REV: 00	DATE: 04/20/14	REV: 00	DATE: 04/20/14
DESIGNED BY: [Signature]	DESIGNED BY: [Signature]	DESIGNED BY: [Signature]	DESIGNED BY: [Signature]	DESIGNED BY: [Signature]	DESIGNED BY: [Signature]
DATE: 04/20/14	DATE: 04/20/14	DATE: 04/20/14	DATE: 04/20/14	DATE: 04/20/14	DATE: 04/20/14
SCALE: 5:1	SCALE: 5:1	SCALE: 5:1	SCALE: 5:1	SCALE: 5:1	SCALE: 5:1
CUSTOMER DRAWING		CUSTOMER DRAWING		CUSTOMER DRAWING	