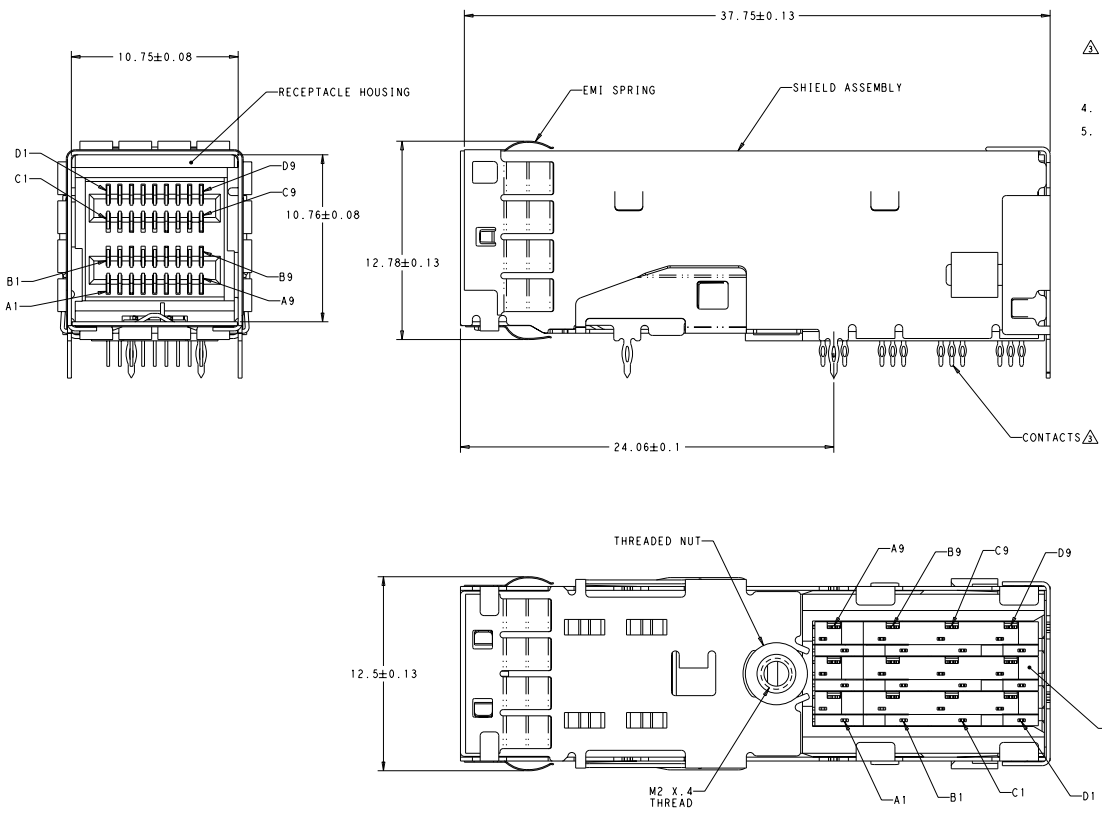


REV	DATE	DESCRIPTION	BY	CHK	APP
00	AG				
8		REMOVED PRELIMINARY NOTE	BLUMBERG	PA	JS
		ADDED NOTE 5			
9		PCB APPLICATION DIMENSION ADDED	BLUMBERG	PA	JS

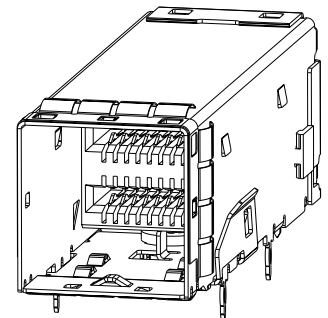
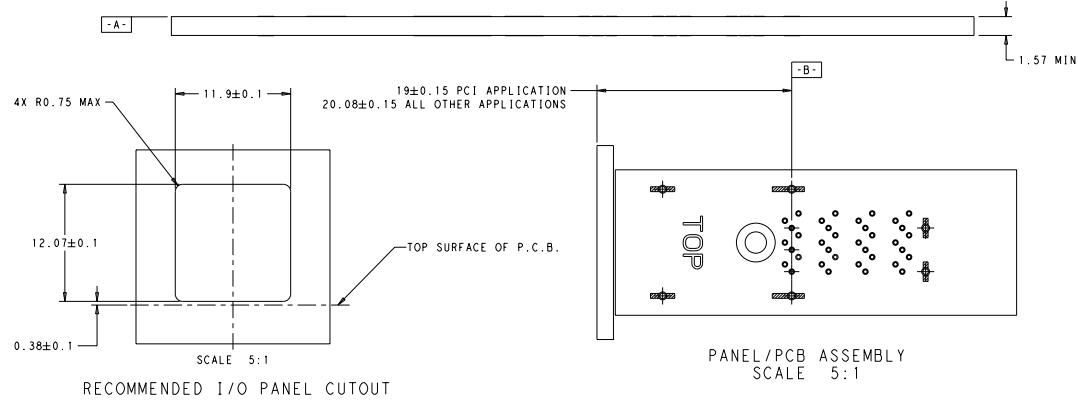
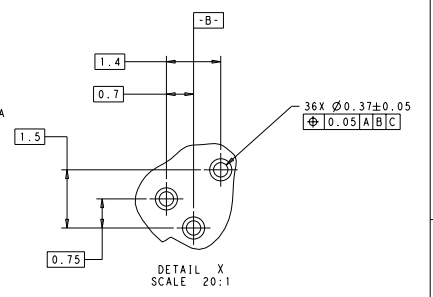
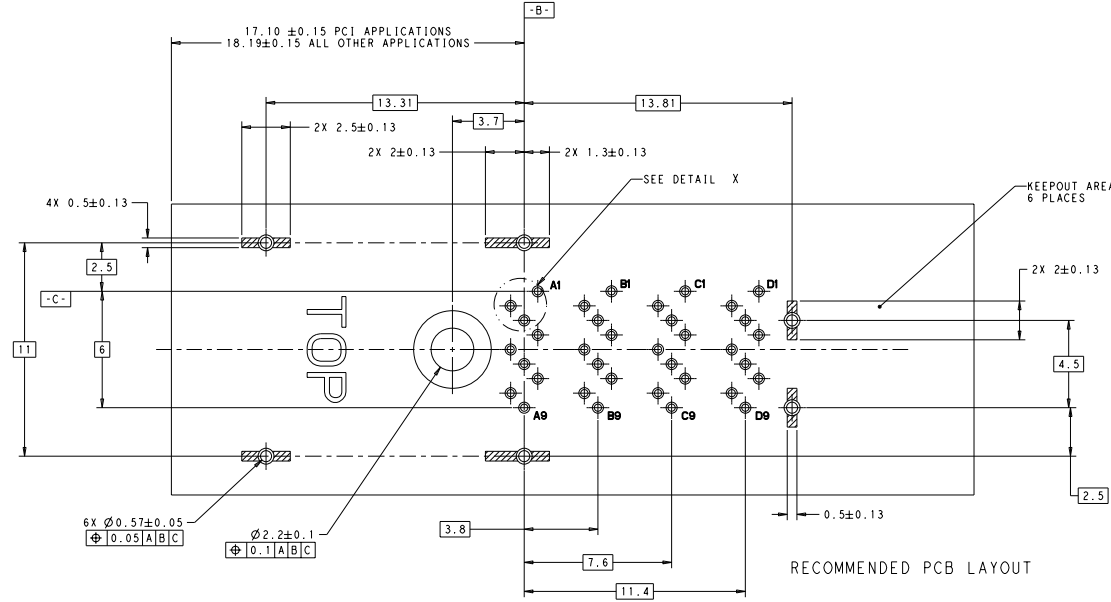
- 1. MATERIALS**
 RECEPTACLE HOUSING: LCP, BLACK, UL94V-0 RATED
 SHIELD ASSEMBLY: NICKEL SILVER COPPER ALLOY
 CONTACTS: COPPER ALLOY
 EMI SPRING: COPPER ALLOY
 THREADED NUT: BRASS
 CHICKLETS: LCP, BLACK, UL 94V-0 RATED
 - 2. FINISH**
 EMI SPRING: TIN PLATE OVER NICKEL PLATE
 NON-PLATED EDGES PERMISSIBLE
 THREADED NUT: NICKEL PLATE
- ⚠ CONTACT FINISH: CONFORMS TO THE REQUIREMENTS OF TE PRODUCT SPECIFICATION, 108-2399, BASED ON EIA/ECA-364-1000.01A. (CONTROLLED ENVIRONMENT APPLICATIONS) ON MATING END, TIN PLATED ON PCB TAIL
- 4. THREAD LENGTH OF FASTENER = PCB THICKNESS + 1.45 MAX**
 - 5. THIS PRODUCT HAS NOT COMPLETED VALIDATION/QUALIFICATION TESTING**



2149027-1
 PART NUMBER

THIS DRAWING IS A CONTROLLED DOCUMENT.		REV	DATE	27 JUL 2015
REVISED BY		REV	DATE	27 JUL 2015
REV	DATE	REV	DATE	
00	AG	00	AG	
01	AG	01	AG	
02	AG	02	AG	
03	AG	03	AG	
04	AG	04	AG	
05	AG	05	AG	
06	AG	06	AG	
07	AG	07	AG	
08	AG	08	AG	
09	AG	09	AG	
10	AG	10	AG	
11	AG	11	AG	
12	AG	12	AG	
13	AG	13	AG	
14	AG	14	AG	
15	AG	15	AG	
16	AG	16	AG	
17	AG	17	AG	
18	AG	18	AG	
19	AG	19	AG	
20	AG	20	AG	
21	AG	21	AG	
22	AG	22	AG	
23	AG	23	AG	
24	AG	24	AG	
25	AG	25	AG	
26	AG	26	AG	
27	AG	27	AG	
28	AG	28	AG	
29	AG	29	AG	
30	AG	30	AG	
31	AG	31	AG	
32	AG	32	AG	
33	AG	33	AG	
34	AG	34	AG	
35	AG	35	AG	
36	AG	36	AG	
37	AG	37	AG	
38	AG	38	AG	
39	AG	39	AG	
40	AG	40	AG	
41	AG	41	AG	
42	AG	42	AG	
43	AG	43	AG	
44	AG	44	AG	
45	AG	45	AG	
46	AG	46	AG	
47	AG	47	AG	
48	AG	48	AG	
49	AG	49	AG	
50	AG	50	AG	

REV	DATE	DESCRIPTION	BY	CHK	APP
00		SEE SHEET 1			



THIS DRAWING IS A CONTROLLED DOCUMENT.		DATE: 27 JUL 2015	REV: 00	REVISED: 27 JUL 2015	BY: A	CHK: A	APP: A
REVISED:	BY:	DATE:	REVISED:	BY:	DATE:	REVISED:	BY:
DATE:	BY:	DATE:	DATE:	DATE:	DATE:	DATE:	DATE:
PROJECT:	100-2462	PROJECT:	100-2462	PROJECT:	100-2462	PROJECT:	100-2462
DESCRIPTION:	RECEPTACLE ASSEMBLY, MINI-SASS HD	DESCRIPTION:	RECEPTACLE ASSEMBLY, MINI-SASS HD	DESCRIPTION:	RECEPTACLE ASSEMBLY, MINI-SASS HD	DESCRIPTION:	RECEPTACLE ASSEMBLY, MINI-SASS HD
SCALE:	SCALE CODE: DRAWING NO. A 00779 ©=2149027	SCALE:	SCALE CODE: DRAWING NO. A 00779 ©=2149027	SCALE:	SCALE CODE: DRAWING NO. A 00779 ©=2149027	SCALE:	SCALE CODE: DRAWING NO. A 00779 ©=2149027
CUSTOMER DRAWING:	CUSTOMER DRAWING	CUSTOMER DRAWING:	CUSTOMER DRAWING	CUSTOMER DRAWING:	CUSTOMER DRAWING	CUSTOMER DRAWING:	CUSTOMER DRAWING