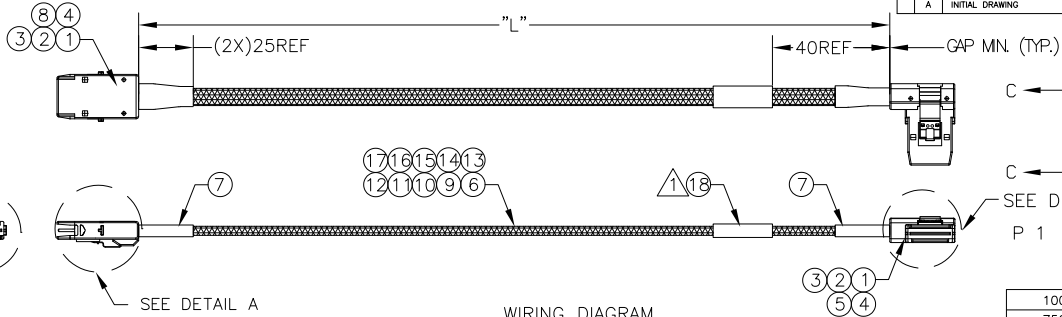


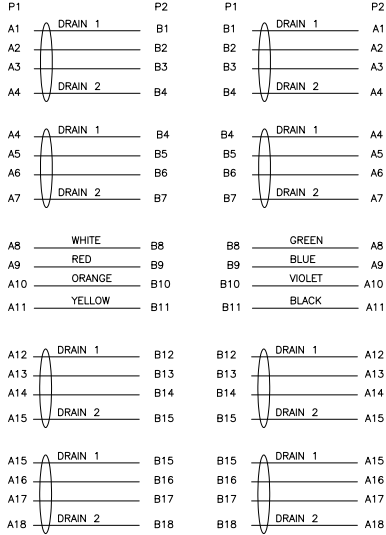
THIS DRAWING IS UNPUBLISHED. RELEASED FOR PUBLICATION BY TYCO ELECTRONICS CORPORATION. ALL INTERNATIONAL RIGHTS RESERVED.

LOC	DIST	REV	DESCRIPTION	DATE	BY	APP'D
		A	INITIAL DRAWING	25Aug.09	K.T	J.C

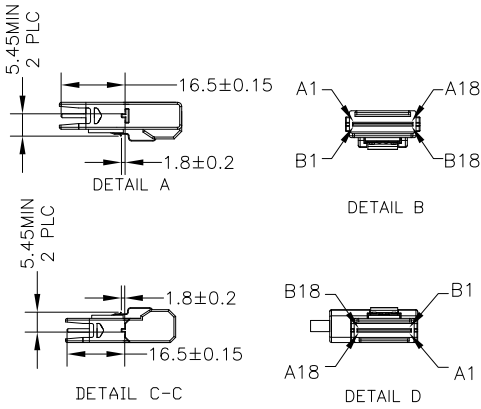


1000±25	2100817-5
750±25	2100817-4
500±20	2100817-3
300±15	2100817-2
200±10	2100817-1
LENGTH "L"	TE P/N

WIRING DIAGRAM



UNIT	DESCRIPTION	ITEM
PC	LABEL, 25*50mm, White: 25*13mm	18
MR	UL1061 30AWG SOLID COLOR: VIOLET	17
MR	UL1061 30AWG SOLID COLOR: BLACK	16
MR	UL1061 30AWG SOLID COLOR: WHITE	15
MR	UL1061 30AWG SOLID COLOR: BLUE	14
MR	UL1061 30AWG SOLID COLOR: GREEN	13
MR	UL1061 30AWG SOLID COLOR: YELLOW	12
MR	UL1061 30AWG SOLID COLOR: ORANGE	11
MR	UL1061 30AWG SOLID COLOR: RED	10
MR	SATA CABLE 30AWG 2C+2*DRAIN 100±5 OHM	9
MR	HEAT SHRINK TUBING, 2.0MM, BLACK	8
MR	H.S.T Adhesive, OD:9.5MM COLOR: BLACK.	7
MR	BRAIDED SLEEVING	6
KG	HEAT SHRINK TUBING, 5.0MM, BLACK	5
MR	HEAT SHRINK TUBING, 3.0MM, BLACK	4
KG	PP, INNER/OVERMOLD TYPE, 30% G/F	3
PC	LATCH, FOR MINI SAS	2
PC	PCB	1



NOTES:
 LABEL INFORMATION:
 TE P/N
 TYCO ELECTRONICS
 YYWW
 MADE IN CHINA
 DATE CODE

- PRODUCT AND PROCESSING MUST MEET REQUIREMENTS OF TYCO ELECTRONICS STANDARD 230-702.
- PCB PIN(A1 A4 A7 A12 A15 A18 B1 B4 B7 B12 B15 B18) IS SHORTED TOGETHER.

THIS DRAWING IS A CONTROLLED DOCUMENT.

DIMENSIONS: mm	TOLERANCES UNLESS OTHERWISE SPECIFIED:	DATE: 25Aug.09	BY: Ken Tan	APPROVED: Timothy Wang	DATE: 25Aug.09	NAME: Timothy Wang	DATE: 25Aug.09	NAME: Timothy Wang
MATERIAL: -	FINISH: -	APPLICATION SPEC: -	WEIGHT: -	SIZE: A2	CAGE CODE: 00779	DRAWING NO: C=2100817	RESTRICTED TO: -	

CUSTOMER DRAWING SCALE: N.T.S. SHEET 1 of 1 REV A

2100817