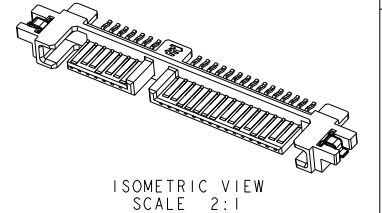
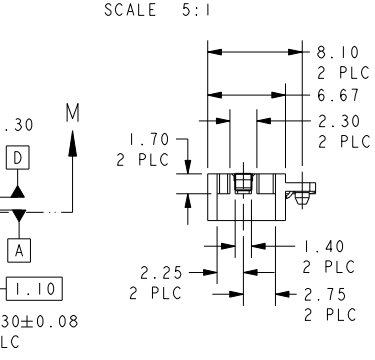
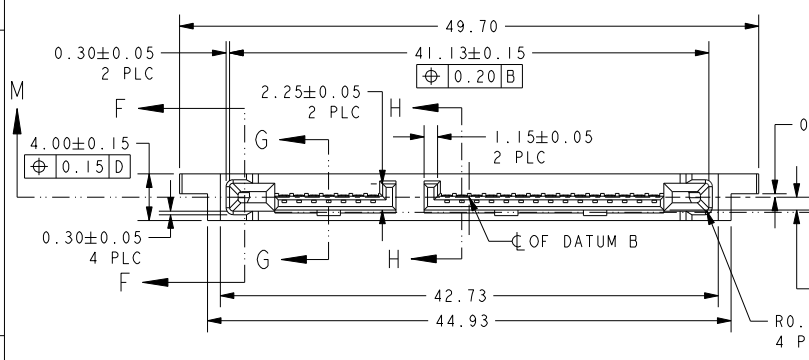


- NOTES:
- MATERIAL HOUSING: HIGH TEMPERATURE THERMOPLASTICS, GLASS FILLED, BLACK, UL94V-0, REGRIND 25% MAXIMUM  
CONTACT: COPPER ALLOY  
SOLDER PEG: COPPER ALLLOY
  - FINISH CONTACT: "A" MIN GOLD ON MATING AREA AND 2.54µm MIN MATTE TIN (LEAD-FREE) ON SOLDER AREA  
BOTH OVER 1.27µm MIN NICKEL ENTIRE  
SOLDER PEG: 2.54µm MIN TIN (LEAD-FREE) OVER 1.27µm MIN NICKEL ENTIRE
  - CAVITY NO LOCATED AT APPROXIMATE AREA AS SHOWN
  - DATE CODE



0.76µm	1735783-3
0.38µm	1735783-2
0.05µm	1735783-1
"A"	PART NO.

P/N: 1735783-1, -2, -3 AS SHOWN

THIS DRAWING IS A CONTROLLED DOCUMENT.

DIMENSIONS:	TOLERANCES UNLESS OTHERWISE SPECIFIED:	DWN	JASON CHOW	05JAN09	TE Connectivity SLIMLITE SATA PLUG, 15+7P, SMT		
mm		CHK	AP TAY				
		APVD	SF LEONG				
		PRODUCT SPEC	108-51052				
		APPLICATION SPEC			NAME		
MATERIAL	FINISH	WEIGHT	1.43g	SIZE	CAGE CODE	DRAWING NO	RESTRICTED TO
		CUSTOMER DRAWING		A3	00779	©=1735783	-
		SCALE	3:1	SHEET	1	OF	3
		REV					CI

4

3

2

1

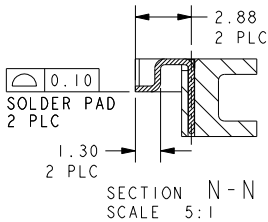
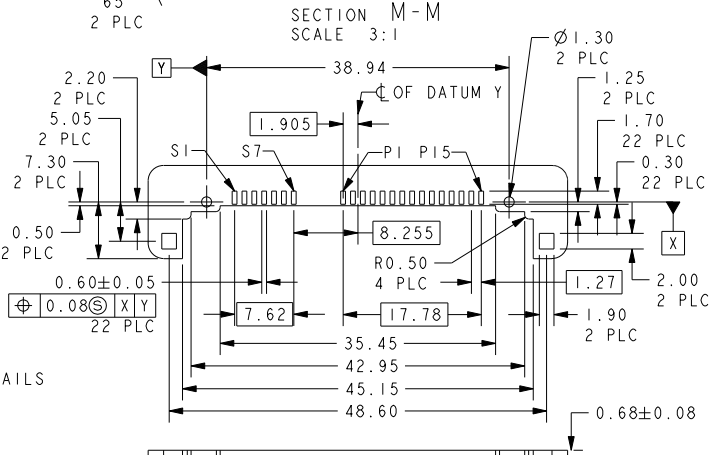
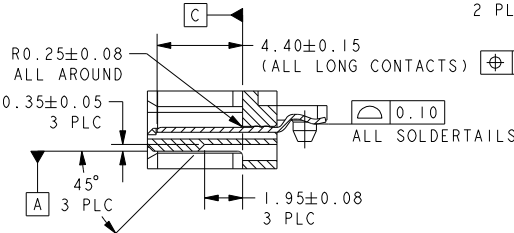
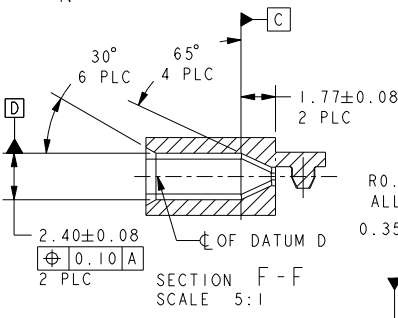
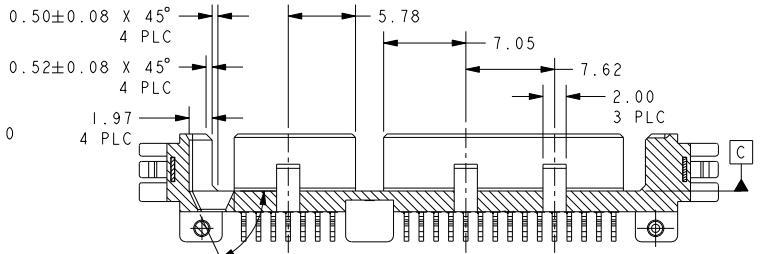
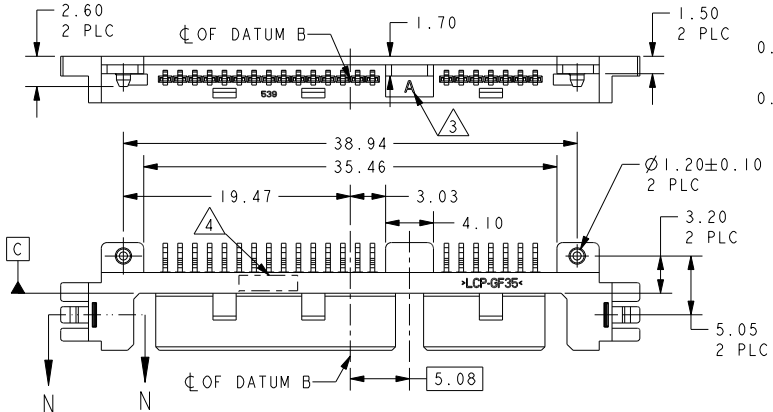
THIS DRAWING IS UNPUBLISHED.

RELEASED FOR PUBLICATION

© COPYRIGHT

ALL RIGHTS RESERVED.

LOC	DIST	REVISIONS			
P	LTR	DESCRIPTION	DATE	OWN	APVD
DY	-	SEE SHEET 1			



PCB LAYOUT  
RECOMMENDED PCB TOLERANCE: ±0.05  
SCALE 2:1

P/N: 1735783-1, -2, -3 AS SHOWN

THIS DRAWING IS A CONTROLLED DOCUMENT.

DIMENSIONS:	TOLERANCES UNLESS OTHERWISE SPECIFIED:
mm	
	0 PLC ±
	1 PLC ±0.20
	2 PLC ±0.20
	3 PLC ±0.20
	4 PLC ±
	ANGLES ±°

MATERIAL	FINISH

DWN	JASON CHOW	05JAN09
CHK	AP TAY	
APVD	SF LEONG	
PRODUCT SPEC	108-51052	
APPLICATION SPEC		
WEIGHT	1.43g	
CUSTOMER DRAWING		

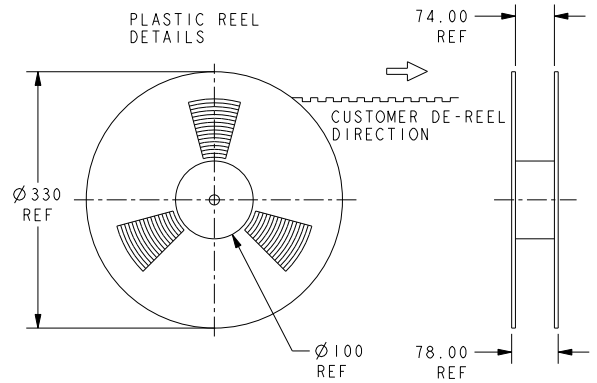
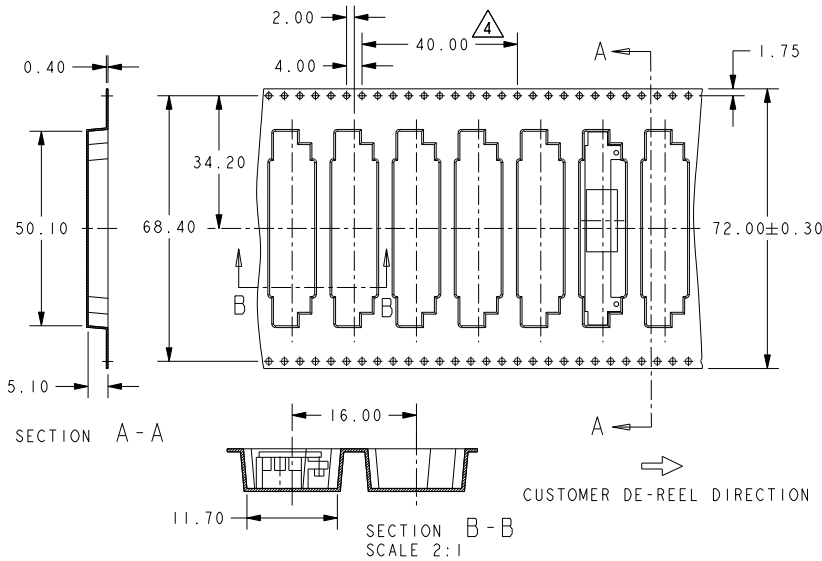
**STE** TE Connectivity

SLIMITE SATA PLUG,  
15+7P, SMT

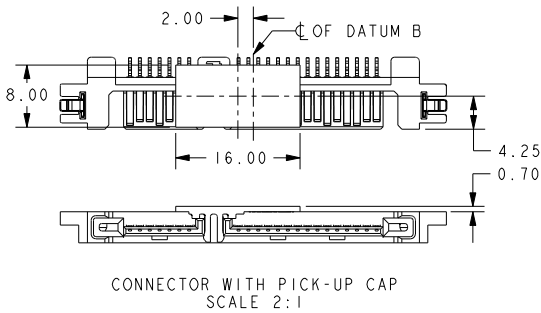
NAME	SIZE	CAGE CODE	DRAWING NO	RESTRICTED TO
	A3	00779	1735783	-
SCALE	3:1	SHEET	2	OF 3
REV	C1			

THIS DRAWING IS UNPUBLISHED. RELEASED FOR PUBLICATION  
 © COPYRIGHT ALL RIGHTS RESERVED.

LOC	DIST	REVISIONS			
P	LTR	DESCRIPTION	DATE	OWN	APVD
DY	-	SEE SHEET 1			



- NOTES:
- ALL DIMENSIONS IN MM UNLESS OTHERWISE STATED.
  - MATERIAL: PS CLEAR, 0.40±0.05 THICKNESS (BEFORE REFORM).
  - GENERAL TOLERANCE: ±0.20MM UNLESS OTHERWISE STATED.  
 DRAFT ANGLE: 5° (MAX) UNLESS OTHERWISE STATED.  
 RADIUS: 0.25 (MAX) TYPE UNLESS OTHERWISE STATED.
  - ACCUMULATED TOLERANCES FOR PITCHES: ±0.20MM FOR 10 PITCHES.
  - DELIVER IN PLASTICS REEL: 757 POCKETS/REEL (700 COMPONENTS/REEL)



THIS DRAWING IS A CONTROLLED DOCUMENT.		DWN JASON CHOW	05JAN09	P/N: 1735783-1,-2,-3 AS SHOWN	
DIMENSIONS: mm		CHK AP TAY	APVD SF LEONG	TE Connectivity	
TOLERANCES UNLESS OTHERWISE SPECIFIED:		PRODUCT SPEC 108-51052		NAME SLIMLITE SATA PLUG, 15+7P, SMT	
0 PLC ±-		APPLICATION SPEC		SIZE A3	
1 PLC ±0.20		WEIGHT 1.43g		CAGE CODE 00779	
2 PLC ±0.20		DRAWING NO C-1735783		RESTRICTED TO -	
3 PLC ±0.20		CUSTOMER DRAWING		SCALE 3:1	
4 PLC ±-		SCALE 3:1		SHEET 3 of 3	
ANGLES ±5°		SCALE 3:1		REV C1	
MATERIAL 2		SCALE 3:1		REV C1	