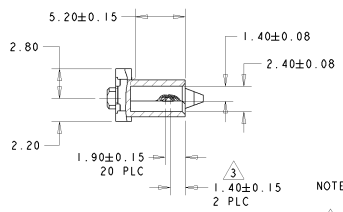
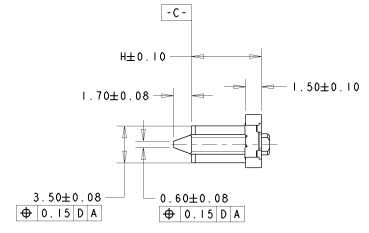
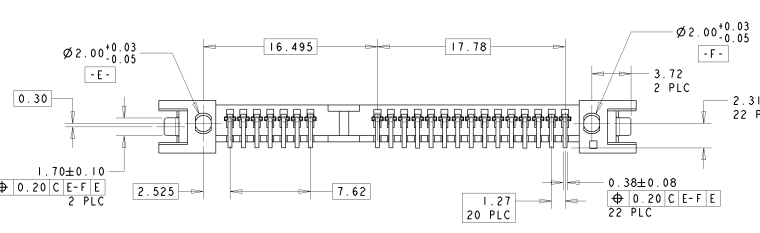
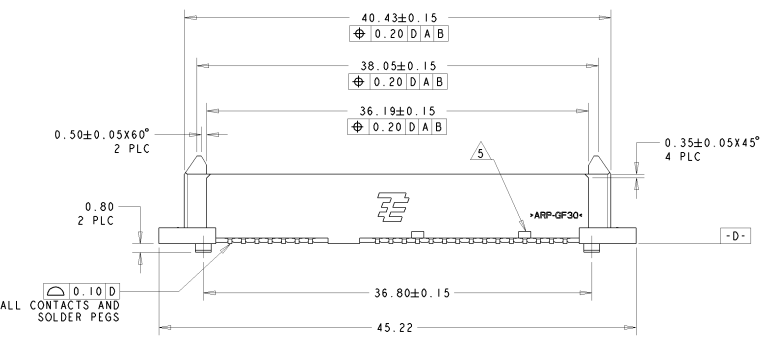
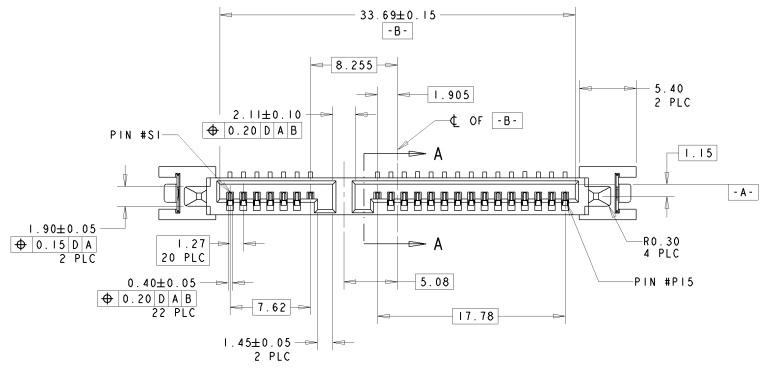


THIS DRAWING IS UNPUBLISHED.
 RELEASED FOR PUBLICATION
 ALL RIGHTS RESERVED.

LOC	QTY	REV	DESCRIPTION	DATE	BY	APP
1	1	1	REVISED PER ECO-11-005130	10MAR11	JK	HRK



SECTION A-A

- NOTES:
- 1 MATERIAL: HIGH TEMP THERMOPLASTIC, UL94V-0, COLOR: BLACK, CONTACT: COPPER ALLOY, BOARDLOCK: COPPER ALLOY
 - 2 FINISH: CONTACT AREA: MIN 0.38um GOLD PLATING, SOLDER TAIL: MIN 2.54um MATTE TIN PLATING, UNDERPLATE: MIN 1.27um NICKEL PLATING
 - 3 PIN #P4 AND #P12 ONLY
 - 4 VIEWS IN SHEET 1 ARE SHOWN WITHOUT PICKUP CAP
 - 5 HOUSING OPENING APPLICABLE TO -2 AND -5 ONLY

QTY/TRAY	TRAY	PICK-UP CAP	REMARKS	HEIGHT (H)	PART NUMBER
48	TYPE 1	YES	STANDARD PROFILE	8.15	1735284-5
20	TYPE 2	YES	LOW PROFILE	6.60	1735284-4
20	TYPE 2	NO	LOW PROFILE	6.60	1735284-3
20	TYPE 2	NO	STANDARD PROFILE	8.15	1735284-2
48	TYPE 1	YES	LOW PROFILE	6.60	1735284-1

DIMENSIONS: mm		TOLERANCES UNLESS OTHERWISE SPECIFIED:		DATE: 14NOV2005		NAME: SATE BACKPLANE RECEPTACLE, VERTICAL, SMT	
0 PLC	±0.10	1 PLC	±0.20	2 PLC	±0.30	3 PLC	±0.40
4 PLC	±0.50	ANGLES	±0.5°	FINISH			
MATERIAL		FINISH		WEIGHT		CUSTOMER DRAWING	
SK LEAD: 14NOV2005		ST LEAD: 14NOV2005		CASE CODE: A2		DRAWING NO: 00779	
PRODUCT SPEC: 108-51052-1		APPLICATION SPEC		SCALE: 4:1		SHEET 1 OF 3	

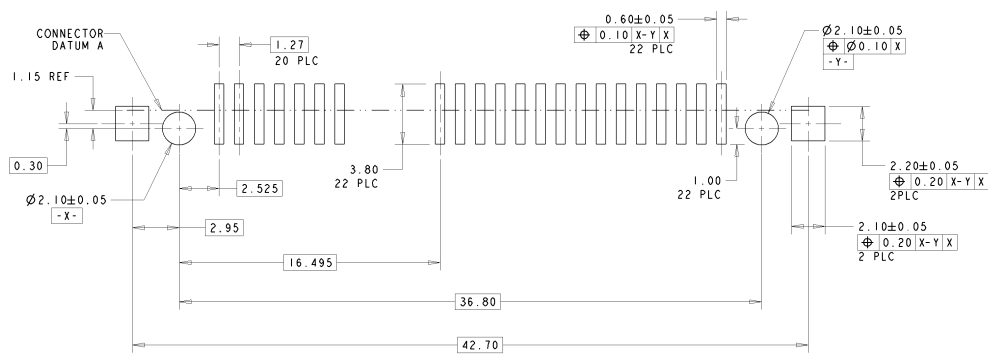
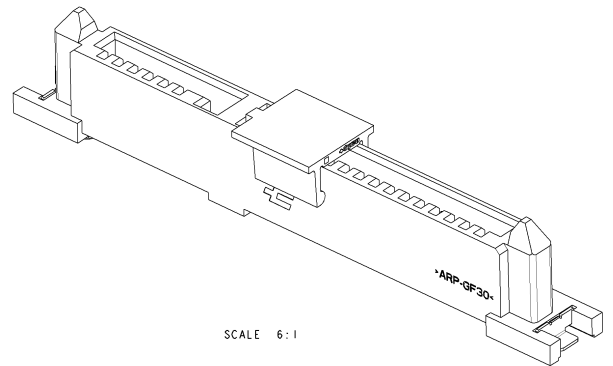
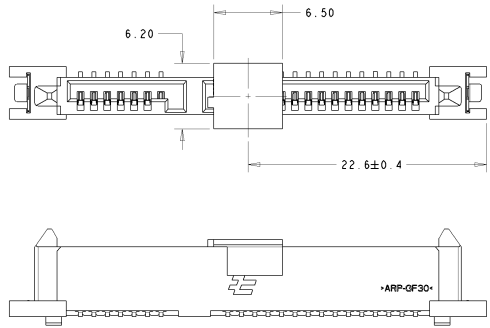
AMP 1471-3 REV 02/04/04

1735284

A

THIS DRAWING IS UNPUBLISHED. RELEASED FOR PUBLICATION. ALL RIGHTS RESERVED.

LOC	REV	DATE	DESCRIPTION	BY	APPV
DY	1	11/19	SEE SHEET 1	-	-



RECOMMENDED PCB LAYOUT
SCALE 6:1

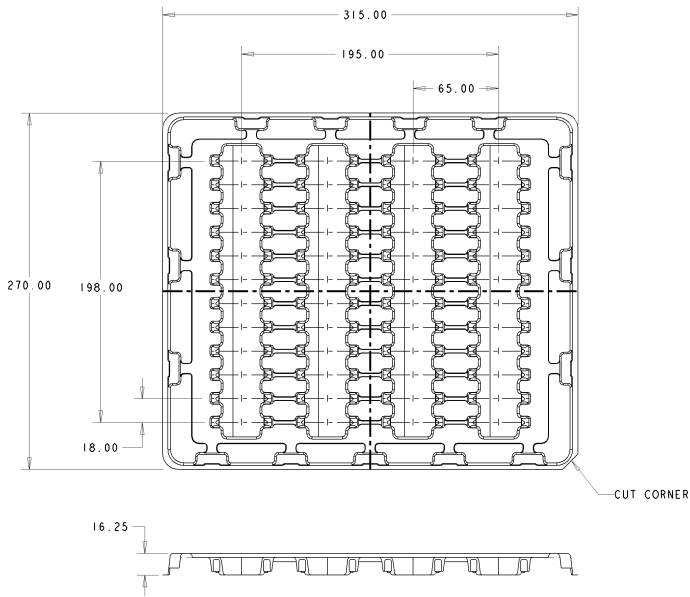
DIMENSIONS:		0 PLC	1 PLC	2 PLC	3 PLC	4 PLC	ANGLER	FINISH	0.10 X-Y X 22 PLC	0.60±0.05 0.10 X-Y X 22 PLC	1.15 REF	1.27 20 PLC	1.00 22 PLC	2.10±0.05 0.10 X	2.20±0.05 0.20 X-Y X 2 PLC	2.10±0.05 0.20 X-Y X 2 PLC	36.80	42.70					
MATERIAL:		DIM		REV		DATE		DESCRIPTION		BY		APPV		SCALE		SHEET		OF		REV			
-		SK LEAW		14NOV2005		-		TE Connectivity		-		-		A2		00779		1735284		4:1		2 of 3	
-		SK LEONG		14NOV2005		-		SATA BACKPLANE RECEPTACLE, VERTICAL, SMT		-		-		-		-		-		-		-	
-		SK LEONG		14NOV2005		-		108-51052-1		-		-		-		-		-		-		-	
-		PRODUCT SPEC		-		-		-		-		-		-		-		-		-		-	
-		APPLICATION SPEC		-		-		-		-		-		-		-		-		-		-	
-		WEIGHT		-		-		-		-		-		-		-		-		-		-	
-		CUSTOMER DRAWING		-		-		-		-		-		-		-		-		-		-	

ARP 1471-3 REV 05/04/14

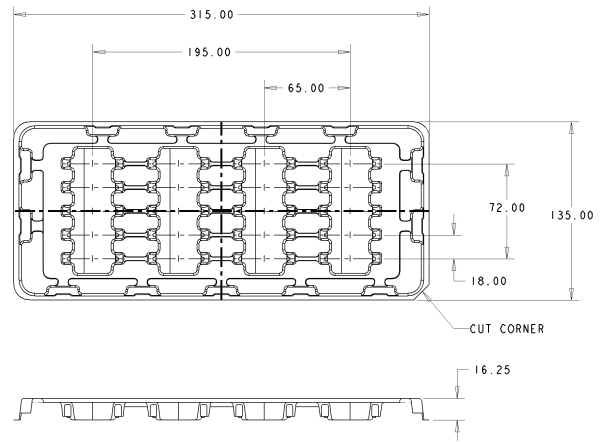
1735284

THIS DRAWING IS UNPUBLISHED.
 (C) COPYRIGHT 19 BY - RELEASED FOR PUBLICATION - 19 ALL RIGHTS RESERVED.

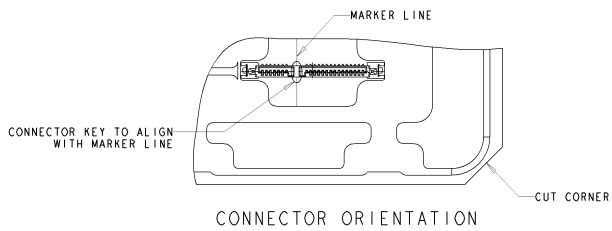
LOC	QTY	REV	DESCRIPTION	DATE	BY	APP
DY	-	1	SEE SHEET 1	-	-	-



TRAY, TYPE 1
 QTY/TRAY: 48PCS



TRAY, TYPE 2
 QTY/TRAY: 20PCS



DIMENSIONS:		DATE	14NOV2005	 TE Connectivity					
TOLERANCES UNLESS OTHERWISE SPECIFIED:		CHK	SK LEAW 14NOV2005						
0 PLC	0.15	APP	ST LEONG 14NOV2005	NAME SATA BACKPLANE RECEPTACLE, VERTICAL, SMT					
1 PLC	0.15	PROJ	ST LEONG 14NOV2005						
2 PLC	0.20	NAME	108-51052-1	SIZE	A2	CASE CODE	00779	DRAWING NO.	1735284
3 PLC	0.25	APPLICATION SPEC		WEIGHT		SCALE	4:1	SHEET	3 OF 3
4 PLC	0.30	ANGLE	30°	CUSTOMER DRAWING		REV	01		
MATERIAL		FINISH							