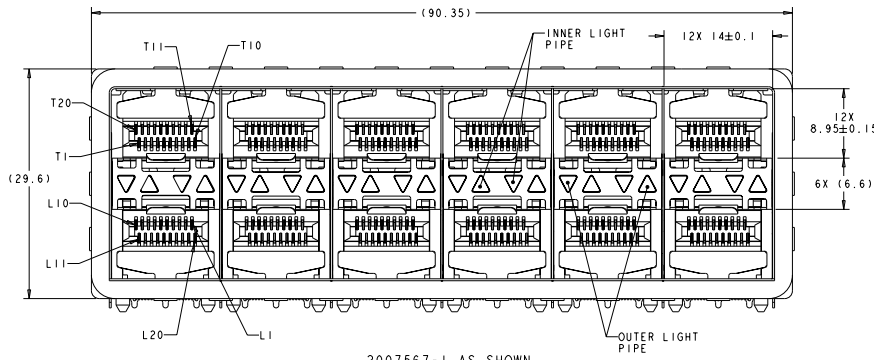
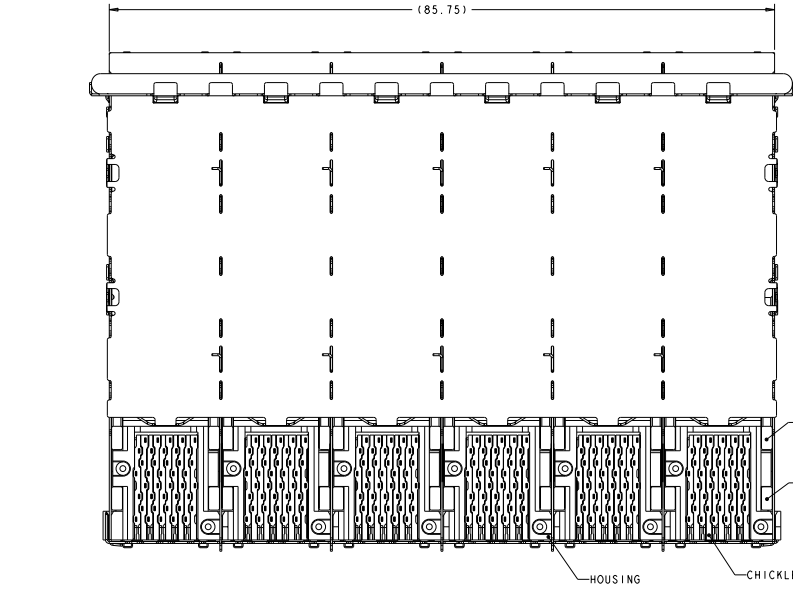
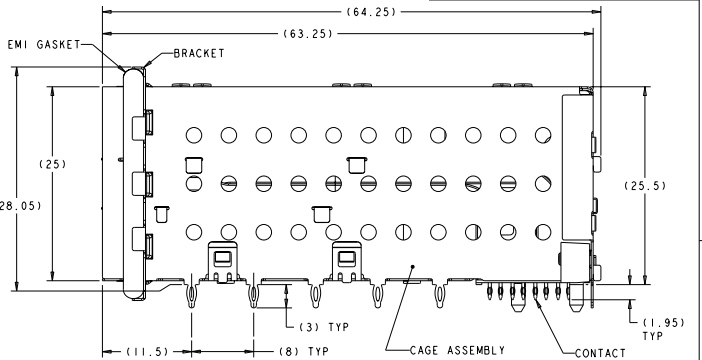


| REV | DATE     | DESCRIPTION                | BY     | CHK | APP |
|-----|----------|----------------------------|--------|-----|-----|
| A   | 01/20/08 | RELEASED PER ECO-10-000080 | DMUNDO | CR  | MS  |
| B   | 01/20/08 | REVISED PER ECO-10-015148  | DMUNDO | CJV | JRP |



2007567-1 AS SHOWN



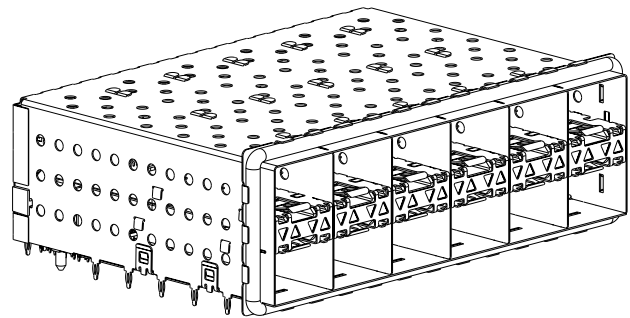
- △ MATERIALS:  
 CAGE ASSEMBLY- NICKEL SILVER ALLOY PER ASTM B 122.  
 BRACKET- STAINLESS STEEL.  
 EMI GASKET- PLATED FILLED SILICONE.  
 HOUSING- BLACK LCP, UL 94V-0 RATED.  
 CHICKLET- BLACK LCP, UL 94V-0 RATED.  
 LIGHT PIPE- POLYCARBONATE, CLEAR, UL 94V-2 RATED.  
 INSERT - (FOR LIGHT PIPE PART NUMBERS ONLY) - PBT, BLACK, UL 94V-0.  
 CONTACT- COPPER ALLOY.
- △ DATUM AND BASIC DIMENSIONS ESTABLISHED BY CUSTOMER.
- 3. MINIMUM PCB THICKNESS OF 1.5.
- △ CONTACT FINISH- CONFORMS TO THE REQUIREMENTS OF TYCO ELECTRONICS PRODUCT SPECIFICATION 108-2331, BASED ON EIA/ECA-364-1000.01A, (CONTROLLED ENVIRONMENT APPLICATIONS) ON MATING INTERFACE, TIN-LEAD ON NEEDLE EYE.
- △ CONTACT FINISH- CONFORMS TO THE REQUIREMENTS OF TYCO ELECTRONICS PRODUCT SPECIFICATION 108-2331, BASED ON EIA/ECA-364-1000.01A, (CONTROLLED ENVIRONMENT APPLICATIONS) ON MATING INTERFACE, TIN ON NEEDLE EYE.
- △ FOR HOLE SIZE AND PLATINGS, SEE APPLICATION SPEC 114-13219.
- △ THE ENTIRE AREA OF THE CONNECTOR FOOTPRINT, INDICATED BY THE DASHED LINE, TO BE CONSIDERED THE KEEPOUT AREA FOR COMPONENTS AND SIGNAL TRACES, TOP SIDE ONLY. TOP SIDE TRACES ALLOWED WITHIN CONNECTOR HOLE PATTERN.
- △ LIGHT PIPE PAD LAYOUT IS FOR 0805 LOW PROFILE LED PACKAGE WITH A HEIGHT OF 0.8mm.

| FINISH | DESCRIPTION         | PART NUMBER |
|--------|---------------------|-------------|
| △      | NO LIGHT PIPES      | 2007567-8   |
| △      | OUTER 2 LIGHT PIPES | 2007567-7   |
| △      | INNER 2 LIGHT PIPES | 2007567-6   |
| △      | 4 LIGHT PIPES       | 2007567-5   |
| △      | NO LIGHT PIPES      | 2007567-4   |
| △      | OUTER 2 LIGHT PIPES | 2007567-3   |
| △      | INNER 2 LIGHT PIPES | 2007567-2   |
| △      | 4 LIGHT PIPES       | 2007567-1   |

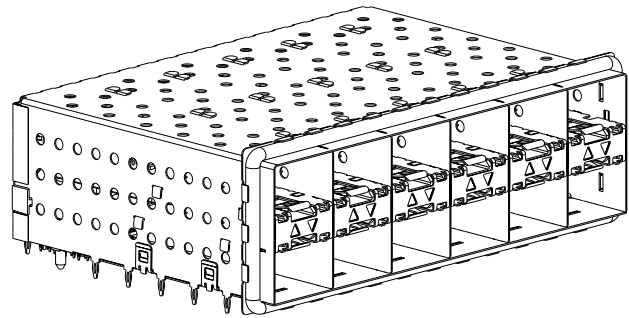
|  |  |   |  |
|--|--|---|--|
| DATE: 01/20/08<br>DRAWN BY: JRP<br>CHECKED BY: CR<br>APPROVED BY: MS | DATE: 01/20/08<br>DRAWN BY: JRP<br>CHECKED BY: CR<br>APPROVED BY: MS | <b>TYCO ELECTRONICS</b><br>Harrisburg, PA 17105-3600<br>CAGE AND PT CONNECTOR ASSEMBLY,<br>WITH EMI GASKET,<br>PRESS FIT, 2X6, STACKED SFP. | DATE: 01/20/08<br>DRAWN BY: JRP<br>CHECKED BY: CR<br>APPROVED BY: MS |
|--|--|---|--|

DATE SHOWN IN DIMENSIONS RECEIVED FOR FABRICATION  
 00000000 BY TECH ELECTRONICS COMPANY, ALL RIGHTS RESERVED

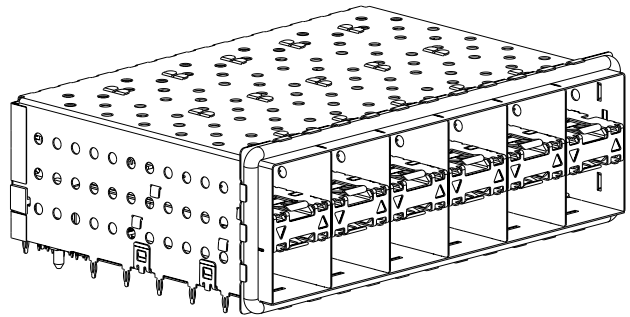
| REV | DATE | DESCRIPTION | BY | CHK | APP |
|-----|------|-------------|----|-----|-----|
| 00  |      | SEE SHEET 1 |    |     |     |
|     |      |             |    |     |     |
|     |      |             |    |     |     |



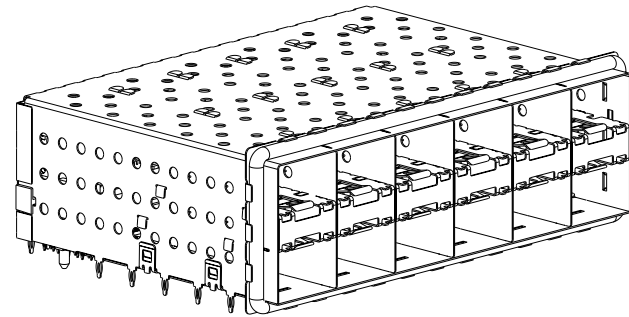
2007567-1 AND 2007567-5  
SCALE 3:1



2007567-2 AND 2007567-6  
SCALE 3:1



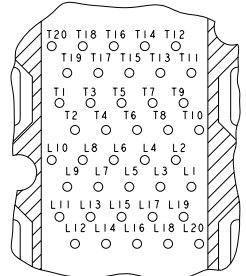
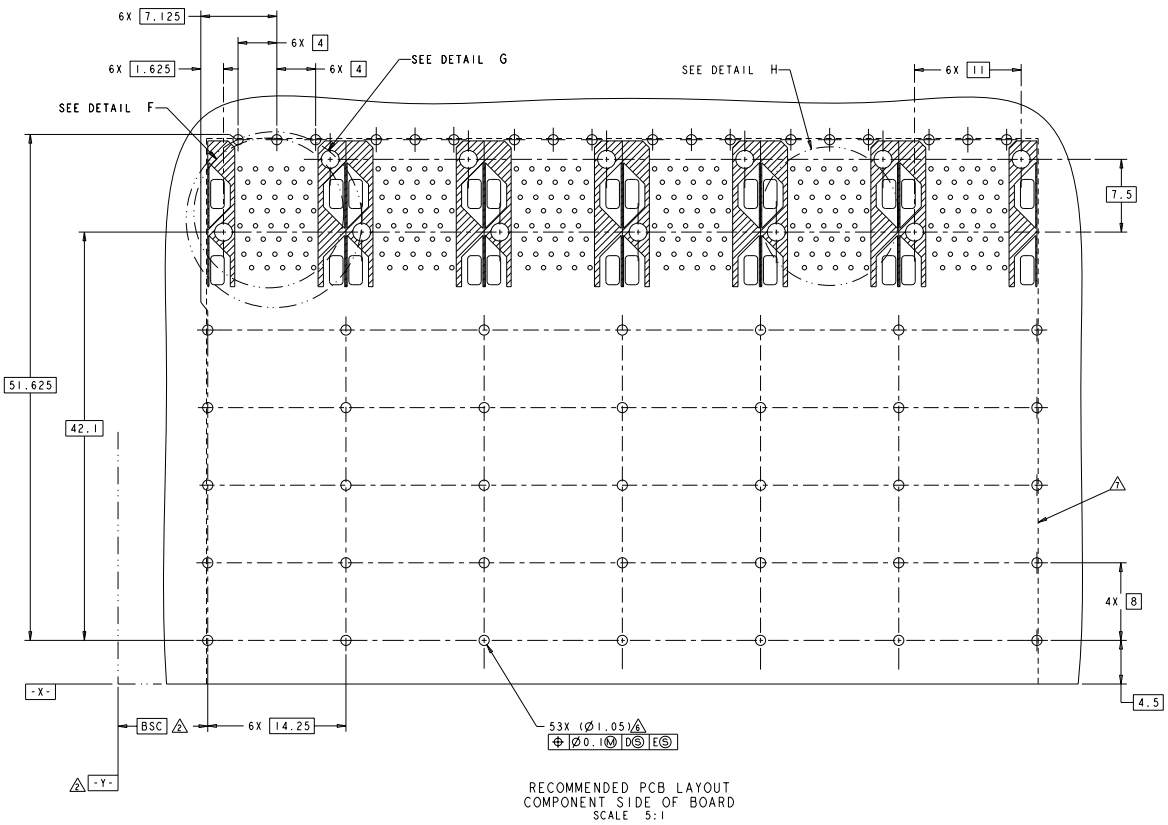
2007567-3 AND 2007567-7  
SCALE 3:1



2007567-4 AND 2007567-8  
SCALE 3:1

|  |  |  |  |   |  |
|--|--|--|--|---|--|
| DATE: 18 JAN 2008<br>BY: S. SOCCOLY<br>CHECKED: S. SOCCOLY<br>DRAWN: S. SOCCOLY<br>PART: 100-2281<br>PROJECT: 114-13219<br>TITLE: CUSTOMER DRAWING |  | 18 JAN 2008<br>S. SOCCOLY<br>18 JAN 2008<br>S. SOCCOLY<br>100-2281<br>114-13219<br>00779@2007567 |  | Tech Electronics<br>Harrisburg, PA 17105-3600<br><b>CAGE AND PT CONNECTOR ASSEMBLY.</b><br>WITH EMI GASKET.<br>PRESS FIT, 2X6, STACKED SFP+<br>SCALE CODE DRAWING NO: A   00779@2007567<br>SHEET 2 OF 4 |  |
|--|--|--|--|---|--|

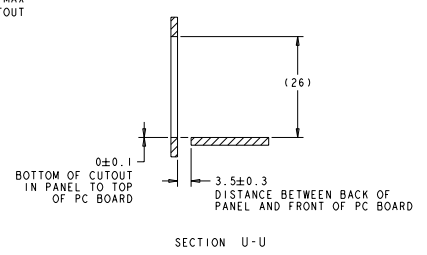
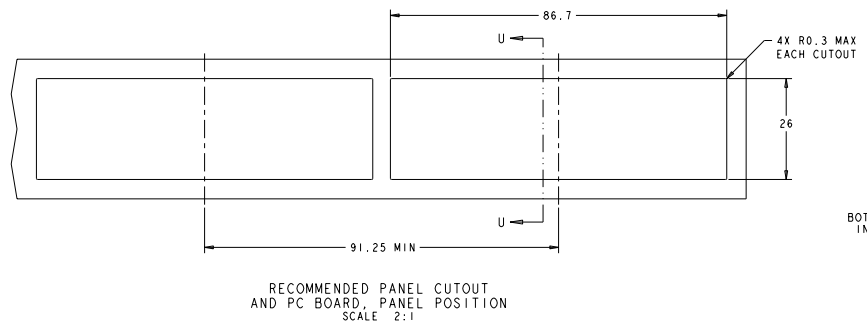
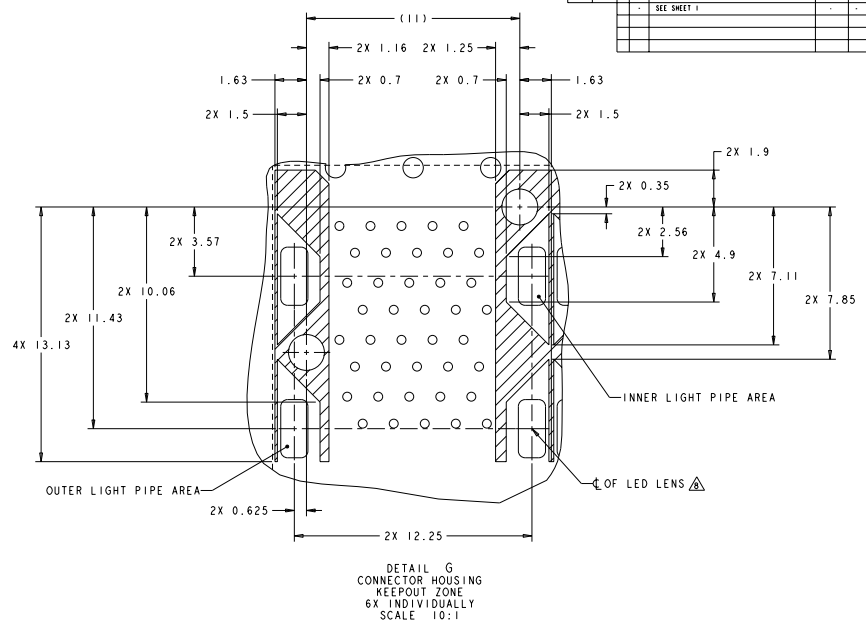
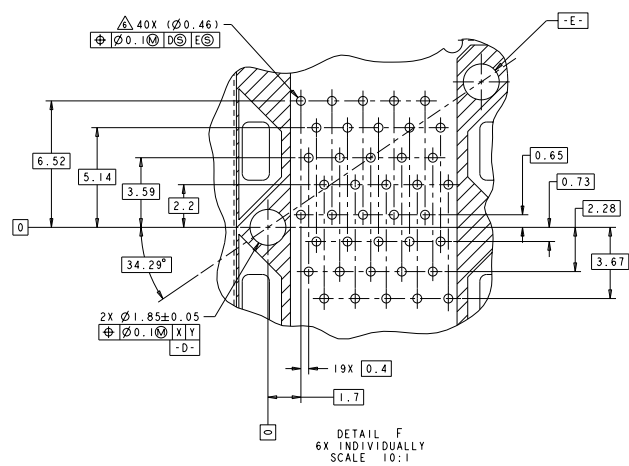
| REV | DATE | DESCRIPTION | BY | CHK | APP |
|-----|------|-------------|----|-----|-----|
| 00  |      | SEE SHEET 1 |    |     |     |



DETAIL H  
 CONNECTOR PIN-OUT  
 COMPONENT SIDE OF BOARD  
 6X INDIVIDUALLY  
 SCALE 10:1

|  |  |   |
|--|--|---|
| DATE: 18 JAN 2008<br>BY: S. SOCCOLY<br>CHECKED BY: S. SOCCOLY<br>DATE: 18 JAN 2008<br>TITLE: CAGE AND PT CONNECTOR ASSEMBLY.<br>PART NO: 188-2281<br>CONECTOR SPEC: 114-1321B<br>REV: -<br>CUSTOMER DRAWING: A   00779 ©=2007567 | Tech Electronics<br>Harrisburg, PA 17105-3600<br>CAGE AND PT CONNECTOR ASSEMBLY.<br>PRESS WITH EMI GASKET.<br>PRESS FIT, 2X6, STACKED SFP. | SHEET NO: 1<br>TOTAL SHEETS: 3<br>SCALE: 5:1<br>DRAWN BY: S. SOCCOLY<br>CHECKED BY: S. SOCCOLY<br>DATE: 18 JAN 2008 |
|--|--|---|

| REV | DATE | DESCRIPTION | BY | CHK | APP |
|-----|------|-------------|----|-----|-----|
| 00  |      | SEE SHEET 1 |    |     |     |



| NO. | REV. | DATE        | DESCRIPTION | BY | CHK | APP |
|-----|------|-------------|-------------|----|-----|-----|
| 00  |      | 18 JAN 2008 | SEE SHEET 1 |    |     |     |

|                   |                                   |                                    |                                    |
|-------------------|-----------------------------------|------------------------------------|------------------------------------|
| DATE: 18 JAN 2008 | BY: TOSHIBA ELECTRONIC COMPONENTS | CHK: TOSHIBA ELECTRONIC COMPONENTS | APP: TOSHIBA ELECTRONIC COMPONENTS |
| DATE: 18 JAN 2008 | BY: TOSHIBA ELECTRONIC COMPONENTS | CHK: TOSHIBA ELECTRONIC COMPONENTS | APP: TOSHIBA ELECTRONIC COMPONENTS |
| DATE: 18 JAN 2008 | BY: TOSHIBA ELECTRONIC COMPONENTS | CHK: TOSHIBA ELECTRONIC COMPONENTS | APP: TOSHIBA ELECTRONIC COMPONENTS |
| DATE: 18 JAN 2008 | BY: TOSHIBA ELECTRONIC COMPONENTS | CHK: TOSHIBA ELECTRONIC COMPONENTS | APP: TOSHIBA ELECTRONIC COMPONENTS |

|                   |                                   |                                    |                                    |
|-------------------|-----------------------------------|------------------------------------|------------------------------------|
| DATE: 18 JAN 2008 | BY: TOSHIBA ELECTRONIC COMPONENTS | CHK: TOSHIBA ELECTRONIC COMPONENTS | APP: TOSHIBA ELECTRONIC COMPONENTS |
| DATE: 18 JAN 2008 | BY: TOSHIBA ELECTRONIC COMPONENTS | CHK: TOSHIBA ELECTRONIC COMPONENTS | APP: TOSHIBA ELECTRONIC COMPONENTS |
| DATE: 18 JAN 2008 | BY: TOSHIBA ELECTRONIC COMPONENTS | CHK: TOSHIBA ELECTRONIC COMPONENTS | APP: TOSHIBA ELECTRONIC COMPONENTS |
| DATE: 18 JAN 2008 | BY: TOSHIBA ELECTRONIC COMPONENTS | CHK: TOSHIBA ELECTRONIC COMPONENTS | APP: TOSHIBA ELECTRONIC COMPONENTS |

|                   |                                   |                                    |                                    |
|-------------------|-----------------------------------|------------------------------------|------------------------------------|
| DATE: 18 JAN 2008 | BY: TOSHIBA ELECTRONIC COMPONENTS | CHK: TOSHIBA ELECTRONIC COMPONENTS | APP: TOSHIBA ELECTRONIC COMPONENTS |
| DATE: 18 JAN 2008 | BY: TOSHIBA ELECTRONIC COMPONENTS | CHK: TOSHIBA ELECTRONIC COMPONENTS | APP: TOSHIBA ELECTRONIC COMPONENTS |
| DATE: 18 JAN 2008 | BY: TOSHIBA ELECTRONIC COMPONENTS | CHK: TOSHIBA ELECTRONIC COMPONENTS | APP: TOSHIBA ELECTRONIC COMPONENTS |
| DATE: 18 JAN 2008 | BY: TOSHIBA ELECTRONIC COMPONENTS | CHK: TOSHIBA ELECTRONIC COMPONENTS | APP: TOSHIBA ELECTRONIC COMPONENTS |