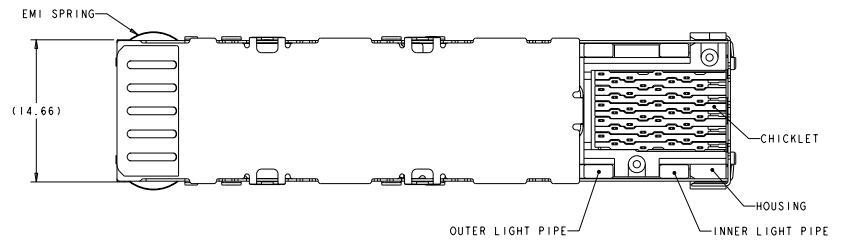
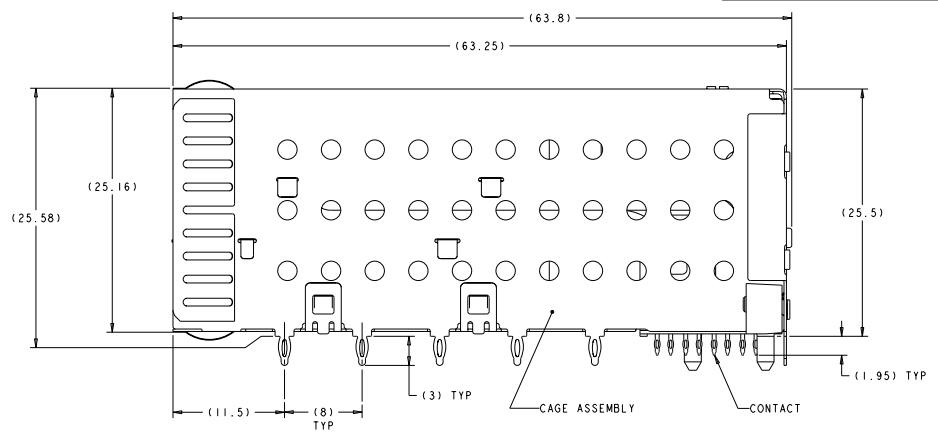
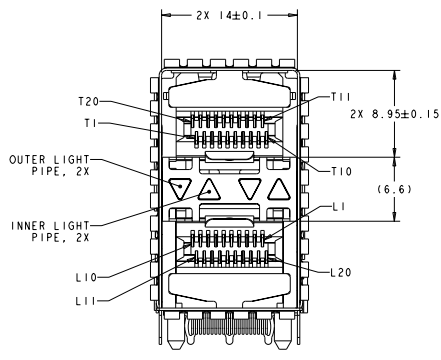


REV	DESCRIPTION	DATE	BY	CHKD
B1	REVISED PER ECO-11-004835	11/06/01	BA	HRB
C	REVISED PER ECO-11-020849	11/06/01	CJV	PAR



- △ MATERIALS:  
 CAGE ASSEMBLY- NICKEL SILVER ALLOY PER ASTM B 122.  
 EMI SPRING- COPPER ALLOY.  
 HOUSING- BLACK LCP, UL 94V-0 RATED.  
 CHICKLET- BLACK LCP, UL 94V-0 RATED.  
 LIGHT PIPE- POLYCARBONATE, CLEAR, UL 94V-2 RATED.  
 INSERT - (FOR LIGHT PIPE PART NUMBERS ONLY) - PBT, BLACK, UL 94V-0.  
 CONTACT- COPPER ALLOY.
- △ DATUM AND BASIC DIMENSIONS ESTABLISHED BY CUSTOMER.
- 3. MINIMUM PCB THICKNESS OF 1.5.
- △ CONTACT FINISH- CONFORMS TO THE REQUIREMENTS OF TE CONNECTIVITY PRODUCT SPECIFICATION 108-2331, BASED ON EIA/ECA-364-1000.01A, (CONTROLLED ENVIRONMENT APPLICATIONS) ON MATING INTERFACE, TIN-LEAD ON NEEDLE EYE.
- △ CONTACT FINISH- CONFORMS TO THE REQUIREMENTS OF TE CONNECTIVITY PRODUCT SPECIFICATION 108-2331, BASED ON EIA/ECA-364-1000.01A, (CONTROLLED ENVIRONMENT APPLICATIONS) ON MATING INTERFACE, TIN ON NEEDLE EYE.
- △ FOR HOLE SIZE AND PLATINGS, SEE APPLICATION SPEC 114-13219.
- △ THE ENTIRE AREA OF THE CONNECTOR FOOTPRINT, INDICATED BY THE DASHED LINE, TO BE CONSIDERED THE KEEPOUT AREA FOR COMPONENTS AND SIGNAL TRACES, TOP SIDE ONLY. TOP SIDE TRACES ALLOWED WITHIN CONNECTOR HOLE PATTERN.
- △ LIGHT PIPE PAD LAYOUT IS FOR 0805 LOW PROFILE LED PACKAGE WITH A HEIGHT OF 0.8mm.
- △ EMI SPRING FINISH: 0.8µm MINIMUM MATTE TIN OVER 0.8µm MINIMUM NICKEL, NONPLATED EDGES PERMISSIBLE.

FINISH	DESCRIPTION	PART NUMBER
△	NO LIGHT PIPES	2007492-8
△	OUTER 2 LIGHT PIPES	2007492-7
△	INNER 2 LIGHT PIPES	2007492-6
△	4 LIGHT PIPES	2007492-5
△	NO LIGHT PIPES	2007492-4
△	OUTER 2 LIGHT PIPES	2007492-3
△	INNER 2 LIGHT PIPES	2007492-2
△	4 LIGHT PIPES	2007492-1

THIS DRAWING IS A CONTROLLED DOCUMENT.

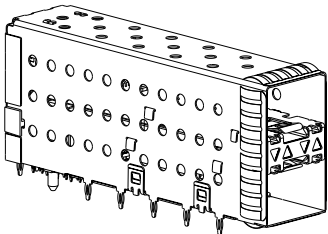
DATE: 30NOV2007  
 BY: SUCCELYN  
 CHECKED: 30NOV2007  
 DESIGNED: 188-2331  
 DRAWN: 114-13219  
 MATERIAL: CUSTOMER DRAWING

TE Connectivity  
 CAGE AND PT CONNECTOR ASSEMBLY, WITH EMI SPRINGS, PRESS FIT, 2X1, STACKED SFP.

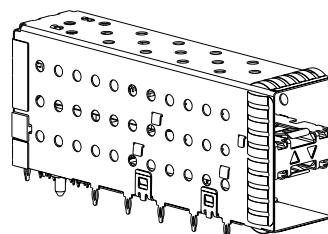
SIZE: CASE CODE DRAWING NO: 00779 ©-2007492  
 SHEET: 5 OF 4

8 7 6 5 4 3 2 1  
 FILE NUMBER TO IMPROVE REVISIONS FOR PUBLICATION ALL RIGHTS RESERVED  
 0000000000 00

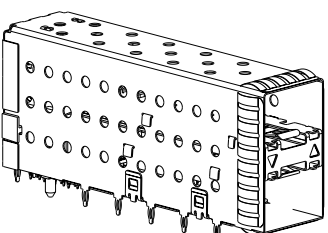
REV	DATE	DESCRIPTION	BY	CHK	APP
00		SEE SHEET 1			



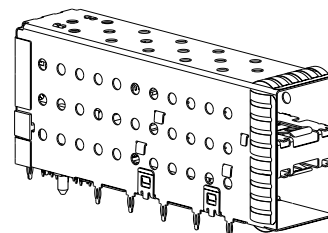
2007492-1 AND 2007492-5  
 SCALE 3:1



2007492-2 AND 2007492-6  
 SCALE 3:1



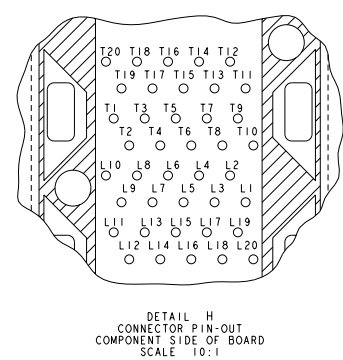
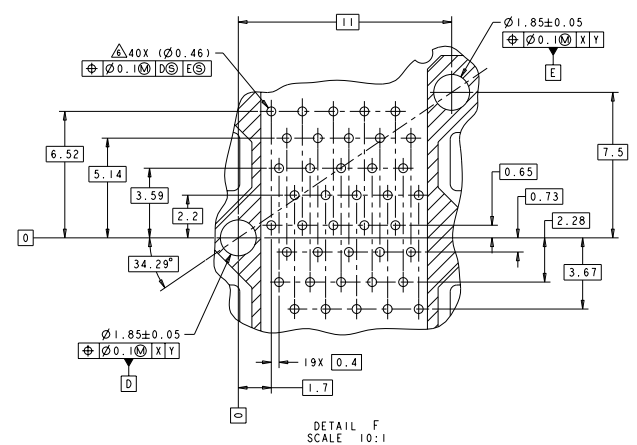
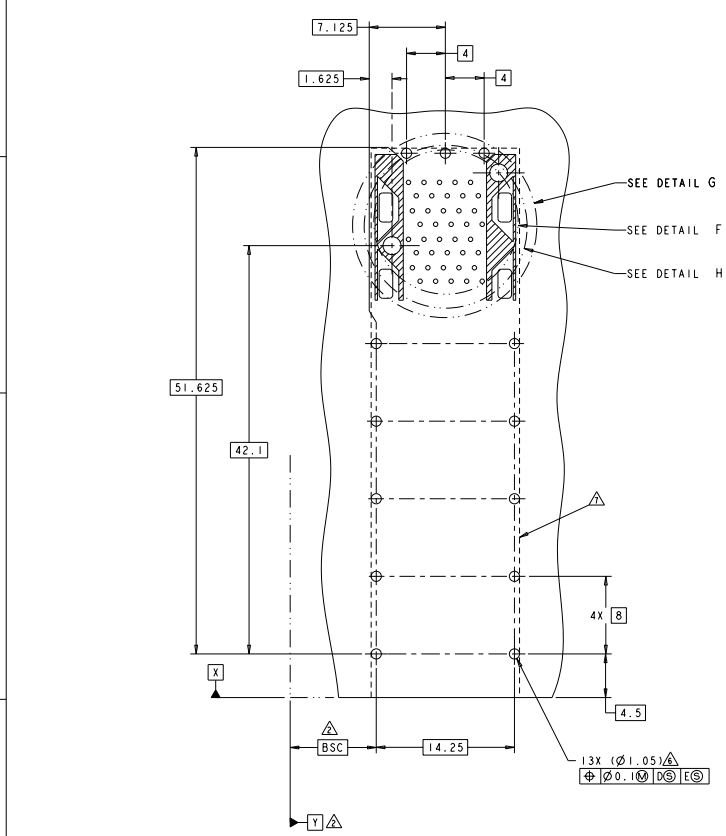
2007492-3 AND 2007492-7  
 SCALE 3:1



2007492-4 AND 2007492-8  
 SCALE 3:1

THIS DRAWING IS A CONTROLLED DOCUMENT.		REV. 00	DATE 20070207	<b>STE</b> TE Connectivity
REV. 00	DATE 20070207	REV. 00	DATE 20070207	
REV. 00	DATE 20070207	REV. 00	DATE 20070207	CAGE AND PT CONNECTOR ASSEMBLY. WITH EMI SPRINGS. PRESS FIT, 2X1, STACKED SFP.
REV. 00	DATE 20070207	REV. 00	DATE 20070207	
REV. 00	DATE 20070207	REV. 00	DATE 20070207	STATE CASE CODE DRAWING NO.
REV. 00	DATE 20070207	REV. 00	DATE 20070207	A   00779   2007492
REV. 00	DATE 20070207	REV. 00	DATE 20070207	CUSTOMER DRAWING

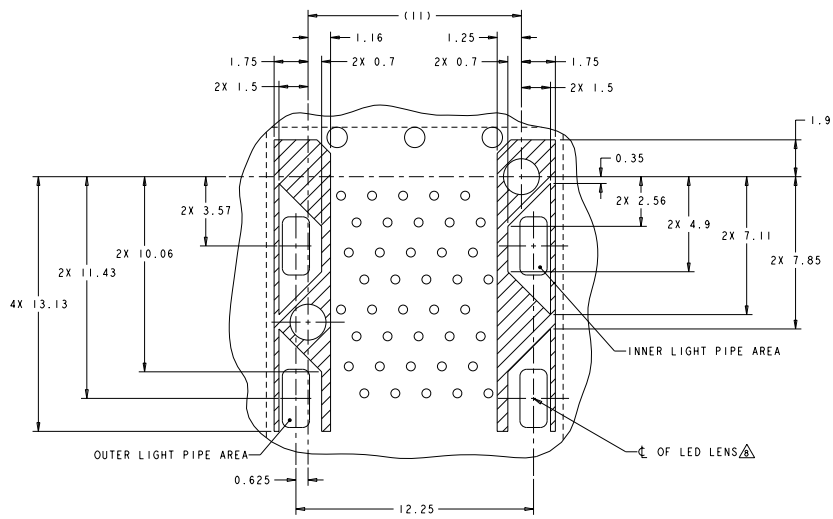
REV. NO.		DESCRIPTION	DATE	BY	CHKD
00	GP	SEE SHEET 1			



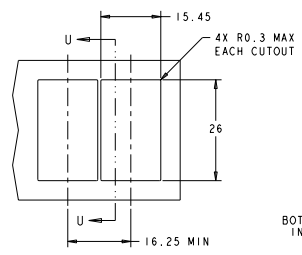
THIS DRAWING IS A CONTROLLED DOCUMENT.		DATE: 20070207	REV: 00
DESIGNED BY: J. SULLIVAN	DESIGNED BY: J. SULLIVAN	DATE: 20070207	REV: 00
DRAWN BY: J. SULLIVAN	DRAWN BY: J. SULLIVAN	DATE: 20070207	REV: 00
CHECKED BY: J. SULLIVAN	CHECKED BY: J. SULLIVAN	DATE: 20070207	REV: 00
APPROVED BY: J. SULLIVAN	APPROVED BY: J. SULLIVAN	DATE: 20070207	REV: 00
DATE: 20070207	DATE: 20070207	DATE: 20070207	DATE: 20070207
SCALE: 10:1	SCALE: 10:1	SCALE: 10:1	SCALE: 10:1
CUSTOMER DRAWING	CUSTOMER DRAWING	CUSTOMER DRAWING	CUSTOMER DRAWING

**STE** TE Connectivity  
 CAGE AND PT CONNECTOR ASSEMBLY.  
 WITH EMI SPRINGS.  
 PRESS FIT, 2X1, STACKED SFP.

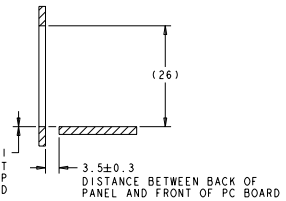
REV	DATE	DESCRIPTION	BY	CHK	APP
GP 00		SEE SHEET 1			



DETAIL G  
 CONNECTOR HOUSING  
 KEEPOUT ZONE  
 SCALE 10:1



RECOMMENDED PANEL CUTOUT  
 AND PC BOARD, PANEL POSITION  
 SCALE 2:1



SECTION U-U

THIS DRAWING IS A CONTROLLED DOCUMENT.		REV. NO.	20072007	TE Connectivity
DATE	20070207	REV. NO.	20072007	
REV. NO.	00	REV. NO.	00	<b>CAGE AND PT CONNECTOR ASSEMBLY,                  WITH EMI SPRINGS,                  PRESS FIT, 2X1, STACKED SFP*</b>
REV. NO.	00	REV. NO.	00	
REV. NO.	00	REV. NO.	00	
REV. NO.	00	REV. NO.	00	
REV. NO.	00	REV. NO.	00	STATE CASE CODE (DRAWING NO) A   00779   2007492
REV. NO.	00	REV. NO.	00	CUSTOMER DRAWING SHEET 5:1 OF 4