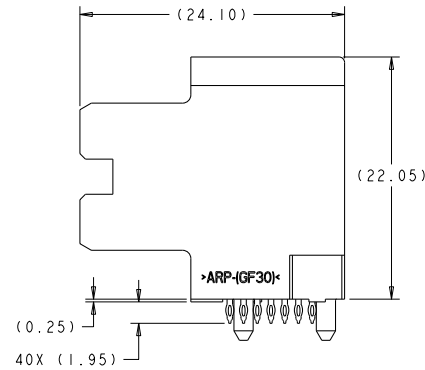
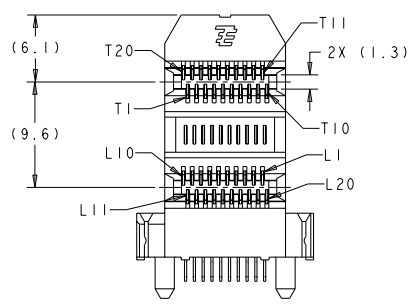
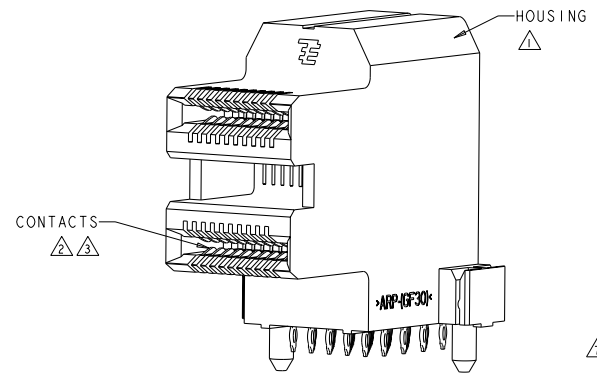
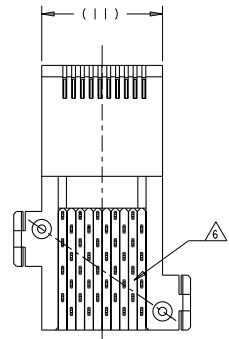


REV	DATE	BY	APPROV
E1	14JUN2011	JY	CW
DESCRIPTION: REVISED PER ECO-11-012168			



- △ LCP, HIGH TEMPERATURE, UL 94V-0 RATED, BLACK
- △ PHOSPHOR BRONZE
- △ CONTACT MATING AREA: SURFACE TREATMENT OVER 0.00076MM MIN GOLD PER ASTM B 488 OVER 0.00127MM MIN NICKEL PER QQ-N-290.
- △ NEEDLE EYE: 0.00125MM MIN TIN PER ASTM B 545 OVER 0.00127MM MIN NICKEL PER QQ-N-290.
- △ REMAINDER OF CONTACT: 0.00076MM MIN NICKEL PER QQ-N-290.
- △ DATUM AND BASIC DIMENSION TO BE DETERMINED BY CUSTOMER
- △ INTERPRETATION OF DATUM REFERENCE FRAME IN ACCORDANCE WITH SECT 4.4.1.1 OF ASME Y14.5M-1994
- △ POLYESTER, 94V-0 RATED, BLACK
- △ RESTRICTED TO Huawei FOR SMALLER INSERTION FORCE.

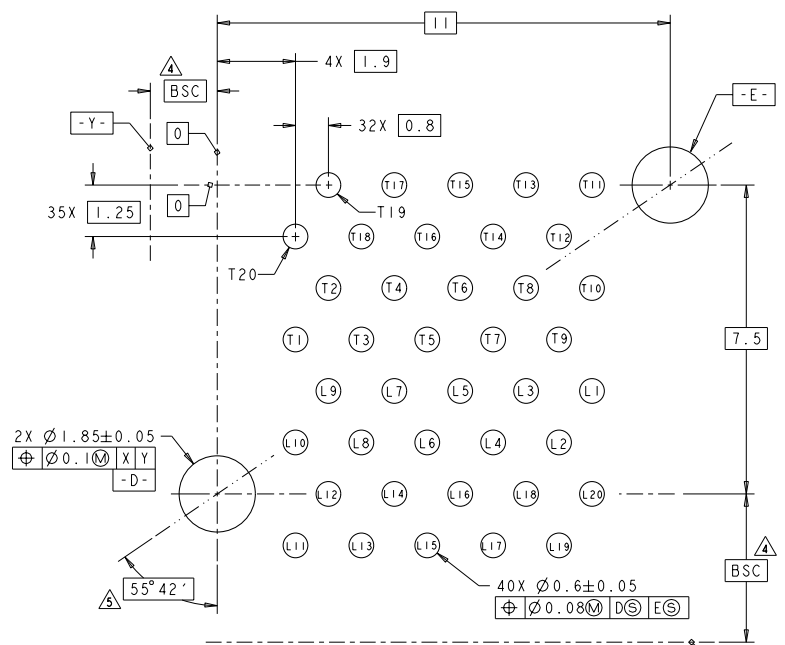
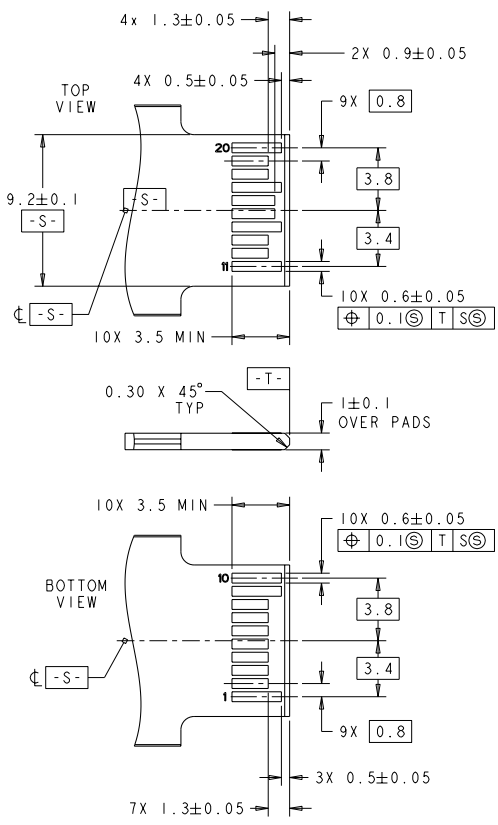


1658632-1
SCALE 5:1
ON SHOWN

△ 1658632-5
1658632-1
PART NUMBER

THIS DRAWING IS A CONTROLLED DOCUMENT.		OWN R. HENRY 17APR03	TE Connectivity	
DIMENSIONS: mm		CHK J. KOPPENHEFER 23JAN04	PT CONNECTOR ASSEMBLY, PRESS FIT, LOW PROFILE, SFP	
MATERIAL SEE NOTES		APPR M. WALMSLEY 23JAN04	RESTRICTED TO	
FINISH SEE NOTES		PRODUCT SPEC 108-2161	SIZE A2	CASE CODE 00779
WEIGHT CUSTOMER DRAWING		APPLICATION SPEC 114-13103	DRAWING NO 1658632	
SCALE 4:1		SHEET 1 OF 2		REV E1

REV	DATE	BY	APPROV
1			
2			
3			
4			



PT CONNECTOR
MECHANICAL LAYOUT
SCALE 15:1

RECOMMENDED LAYOUT FOR
MATING TRANSCEIVER PCB
SCALE 6:1

THIS DRAWING IS A CONTROLLED DOCUMENT.		OWN: R. HENRY	17APR03	
DRAWN BY: M. WALSLEY		CHK: R. HENRY	23JAN04	
DIMENSIONS: mm		APP'D: M. WALSLEY	23JAN04	PT CONNECTOR ASSEMBLY, PRESS FIT, LOW PROFILE, SFP
MATERIAL: SEE NOTES		PRODUCT SPEC: 108-2161	APPLICATION SPEC: 114-13103	
FINISH: SEE NOTES		WEIGHT: -	SHEET: A2	
CUSTOMER DRAWING		SCALE: 4:1	SHEET: 2 OF 2	