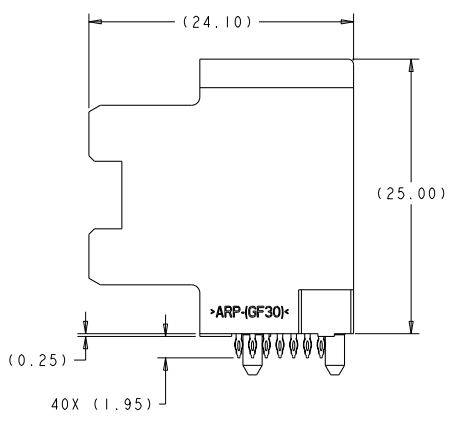
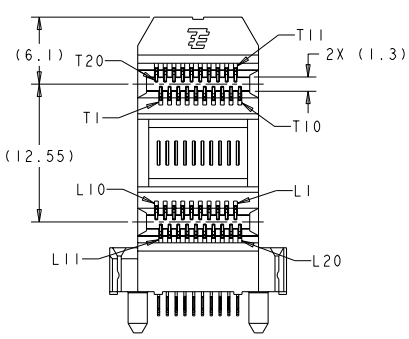
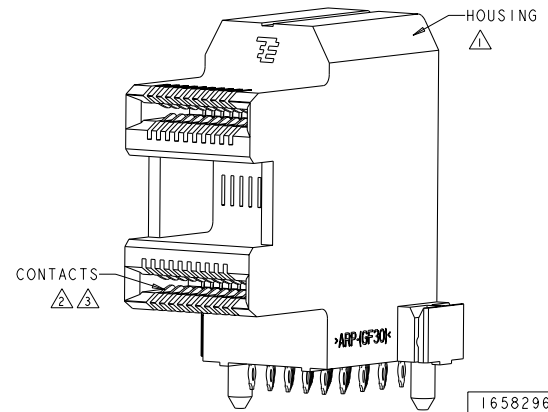


REV	DATE	BY	APPROV
A	23JAN04	JG	JK
B	23MAY06	BW	JK
C	24NOV2010	JY	CW



- △ LCP, HIGH TEMPERATURE, UL 94V-0 RATED, BLACK
- △ PHOSPHOR BRONZE
- △ CONTACT MATING AREA: SURFACE TREATMENT OVER 0.76um MIN GOLD PER ASTM B 488 OVER 1.27um MIN NICKEL PER QQ-N-290. NEEDLE EYE: 1.25um MIN TIN PER ASTM B 545 OVER 1.27um MIN NICKEL PER QQ-N-290. REMAINDER OF CONTACT: 0.76um MIN NICKEL PER QQ-N-290.
- △ DATUM AND BASIC DIMENSION TO BE DETERMINED BY CUSTOMER
- △ INTERPRETATION OF DATUM REFERENCE FRAME IN ACCORDANCE WITH SECT 4.4.1.1 OF ASME Y14.5M-1994
- △ POLYESTER, 94V-0 RATED, BLACK



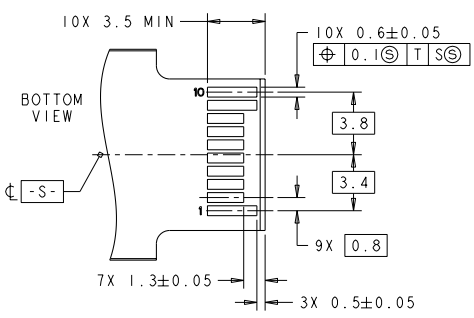
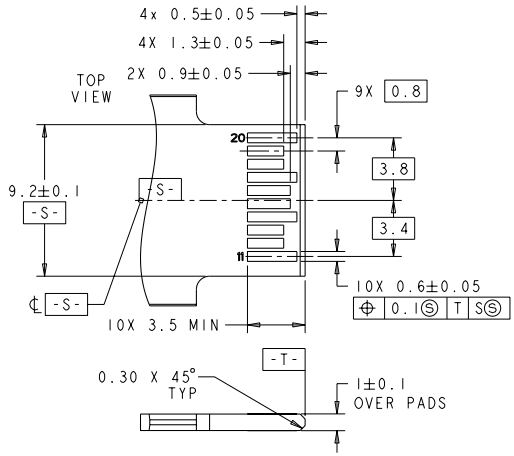
1658296-1
SCALE 5:1

1658296-1
PART NUMBER

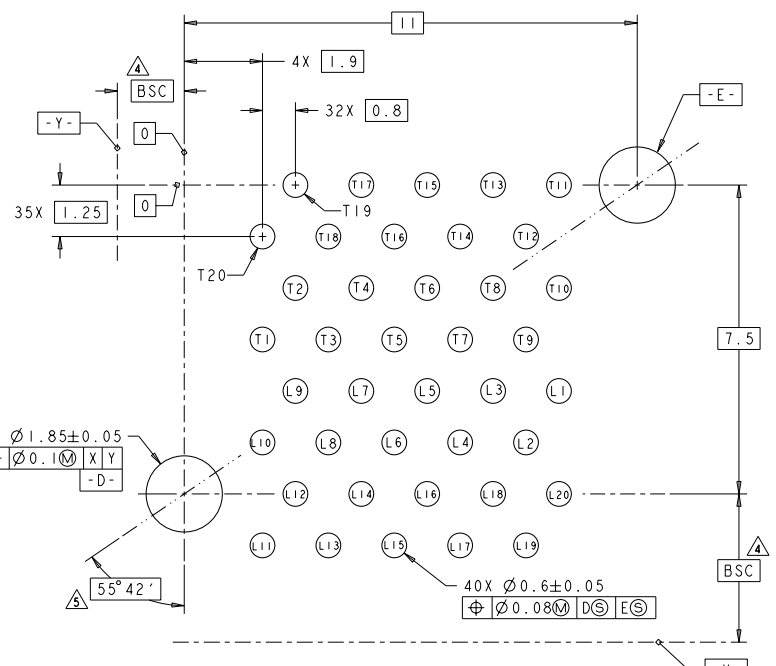
DIMENSIONS: mm		TOU BRANDS ONLY: OPERATED SPECIES:		DWN M. COWHER 24JAN03	Tyco Electronics Corporation Harrisburg, PA 17105-3608
0 PLC ±. 1 PLC ±. 2 PLC ±0.13 3 PLC ±. 4 PLC ±. ANGLES ±. FINISH		PRODUCT SPEC 108-2161 APPLICATION SPEC 114-13103		APPROV M. WALMSLEY 23JAN04	NAME PT CONNECTOR ASSEMBLY, PRESS FIT, STANDARD PROFILE, SFP
MATERIAL SEE NOTES		WEIGHT CUSTOMER DRAWING		SIZE CASE CODE DRAWING NO A2 00779 C-1658296	RESTRICTED TO SCALE 4:1 SHEET 1 OF 2 REV C

THIS DRAWING IS UNPUBLISHED. RELEASED FOR PUBLICATION BY TYCO ELECTRONICS CORPORATION. ALL RIGHTS RESERVED. COPYRIGHT 20

LOC	DIST	REV	DATE	BY	APPR
GP	00				
REVISIONS					
P	LY	DESCRIPTION	DATE	BY	APPR
-	-	SEE SHEET 1	-	-	-



RECOMMENDED LAYOUT FOR MATING TRANSCEIVER PCB SCALE 6:1



PT CONNECTOR MECHANICAL LAYOUT SCALE 15:1

DIMENSIONS: mm SEE NOTES		TO: M. COWHER 24 JAN 03 BY: M. WALSLEY 23 JAN 04 APPROVED: M. WALSLEY 23 JAN 04 PRODUCT SPEC: 108-2161 APPLICATION SPEC: 114-13103 WEIGHT: - FINISH: - SEE NOTES		Tyco Electronics Corporation Harrisburg, PA 17105-3608 PT CONNECTOR ASSEMBLY, PRESS FIT, STANDARD PROFILE, SFP SCALE 4:1 SHEET 2 OF 2 REV C	
-----------------------------	--	---	--	--	--