

4

3

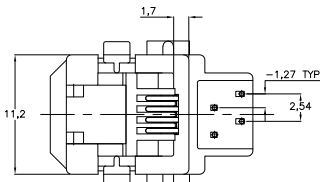
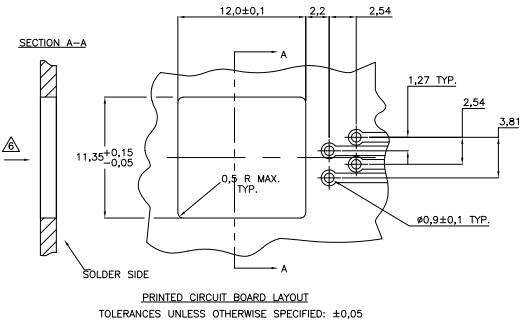
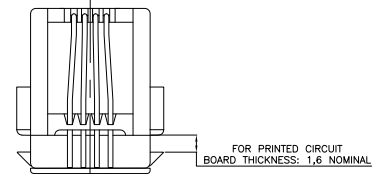
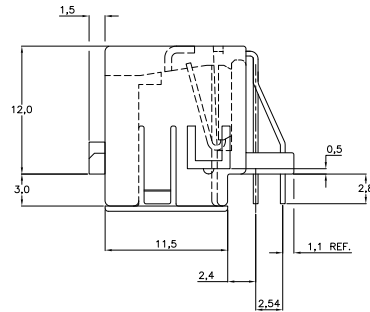
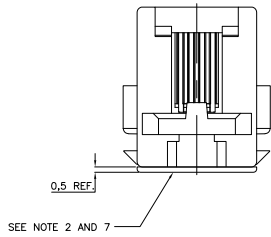
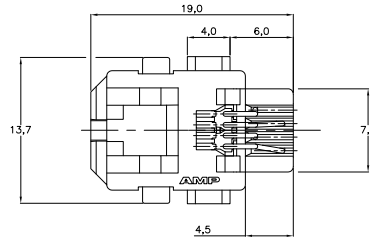
2

1

THIS DRAWING IS UNPUBLISHED. RELEASED FOR PUBLICATION
 © COPYRIGHT BY ALL RIGHTS RESERVED.

LOC	DIST	REVISIONS			
F	LR	DESCRIPTION	DATE	DRN	APD
P2		9-216444-9 IS MADE FINISHED PRODUCT	13SEP2011	PS	RRP

- NOTES:**
1. TOLERANCES UNLESS OTHERWISE SPECIFIED: $\pm 0,15$.
 2. MODULAR JACK P.N. 216444-1, 216444-2, 3-216444-1, 4-216444-1 ARE DELIVERED WITH PLASTIC SOLDER STOP INSTALLED, TO PREVENT SOLDER ENTERING THE JACK. REMOVE SOLDER STOP AFTER SOLDERING.
 3. FOR PERFORMANCE REQUIREMENTS SEE TE PRODUCT SPECIFICATION 108-19064.
 4. FOR APPLICATION REQUIREMENTS SEE TE APPLICATION SPECIFICATION 114-19019.
 5. FOR PACKAGING SEE SHEET 2.
 6. PREFERRED DIRECTION FOR STAMPING OF HOLE TO OBTAIN A BROKEN EDGE AT JACK ENTRY SIDE.
 7. TRUE POSITIONING OF THE SOLDER TINES MAY BE AFFECTED BY BULK PACKAGING. THE SOLDER STOP COULD BE LOOSENED DURING TRANSPORT.
 8. MODULAR JACK PN 9-216444-9 IS DELIVERED WITHOUT SOLDER STOP SO CUSTOMER HAS TO VERIFY THIS PART BEFORE CONSIDERING FOR MASS PRODUCTION.



PACKAGING	REMARKS	FINISH	MATERIAL	PARTNUMBER
⚠ BULK PACKED 800PCS IN A BOX	4 POS. / 4 CONTACTS WITHOUT SOLDER STOP		HOUSING: 20% G.F. NYLON COLOR: BLACK UL 94-HB CONTACTS: PHOS. BRONZE	9-216444-9
OBSOLETE ⚠ 800pcs PER 60cm DIA REEL	4 POS. / 4 CONTACTS WITH SOLDER STOP PACKAGED 800 pcs. ON 60cm DIA REEL	CONTACTS: 1,25µm MIN. GOLD OVER IN CONTACT AREA.	HOUSING: 20% G.F. NYLON COLOR: BLACK UL 94-HB CONTACTS: PHOS. BRONZE	216444-2
OBSOLETE ⚠ BULK PACKAGED 500pcs. IN A BOX	4 POS. / 4 CONTACTS WITH SOLDER STOP BULK PACKAGED 500 pcs/BOX	CONTACTS: 1,25µm MIN. NICKEL IN CONTACT AREA. 1,25µm MIN. TIN-LEAD OVER 1,25µm MIN. NICKEL ON SOLDER TINES.		4-216444-1
⚠ BULK PACKAGED 1000pcs. IN A BOX	4 POS. / 4 CONTACTS WITH SOLDER STOP BULK PACKAGED 1000 pcs/BOX		HOUSING: 20% G.F. NYLON COLOR: BLACK UL 94-HB CONTACTS: PHOS. BRONZE	3-216444-1
⚠ 800pcs PER 60cm DIA REEL	4 POS. / 4 CONTACTS WITH SOLDER STOP FOR PACKAGING SEE SHEET 2			216444-1

THIS DRAWING IS A CONTROLLED DOCUMENT.		DRN	1700208
		EV, EJK	
		CRK	
		W. BRUMMANS	
		APD	
		R. SMETS	
		PRODUCT SPEC	
		APPLICATION SPEC	
		WEIGHT	
		SIZE	A2
		DATE	00779
		SCALE	1 of 2
		SHEET	1 of 2
		REV	P2



MODULAR JACK, 4 POS.
 BOTTOM ENTRY VERSION
 FOR PRINTED CIRCUIT BOARD MOUNTING

TE Connectivity
 00779 © 216444

4

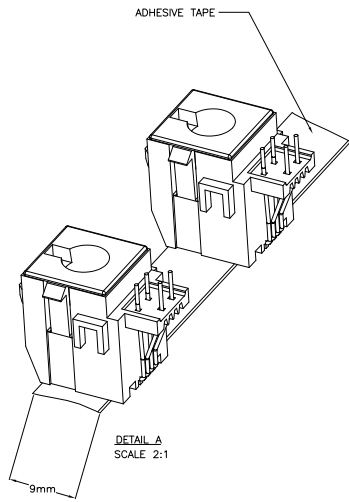
3

2

1

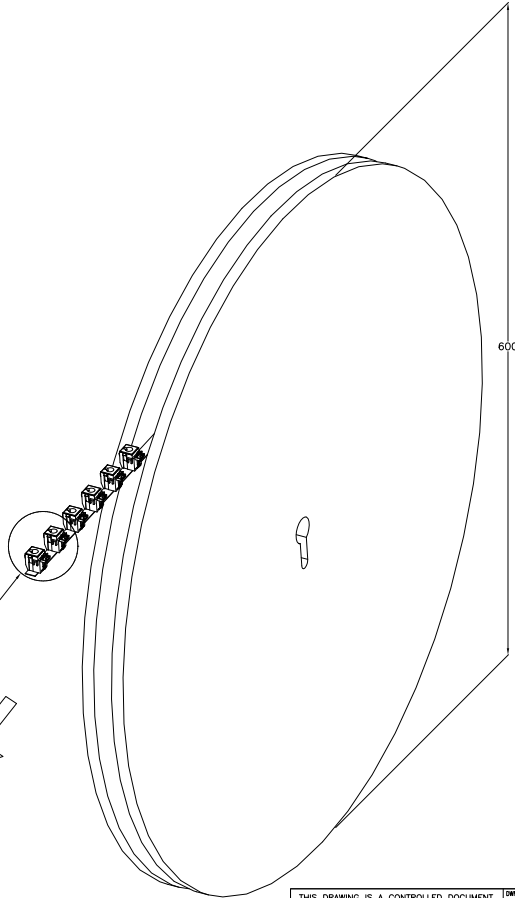
THIS DRAWING IS UNPUBLISHED. RELEASED FOR PUBLICATION
 © COPYRIGHT BY ALL RIGHTS RESERVED.

LOC	DIST	REVISIONS			
F	LR	DESCRIPTION	DATE	DRN	APD
-	-	SEE SHEET 1	-	-	-

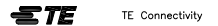


SEE DETAIL A

REEL-OFF DIRECTION



THIS DRAWING IS A CONTROLLED DOCUMENT.		DRN	E.V.EUJK	1702098	
DIMENSIONS:		CHK.	W. BRUMMANS		
mm		APPD	R. SMETS		
TOLERANCES UNLESS OTHERWISE SPECIFIED:		PRODUCT SPEC.			
0 PLC	±	APPLICATION SPEC.		SIZE	CAGE CODE
1 PLC	±			A2	00779
2 PLC	±	WEIGHT		DRAWING NO. C=216444	
3 PLC	±			RESTRICTED TO	
4 PLC	±			-	
ANGLES	±			CUSTOMER DRAWING	
FINISH	-			SCALE	NTS
MATERIAL	-			SHEET	2 of 2
				REV	P2



4 POS. BOTTOM ENTRY MODULAR JACK
 PACKAGING