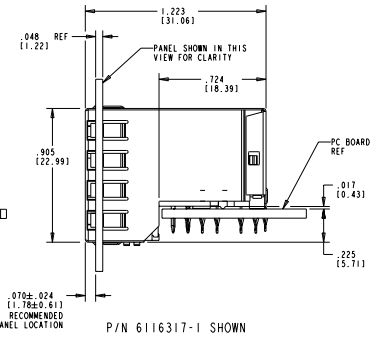
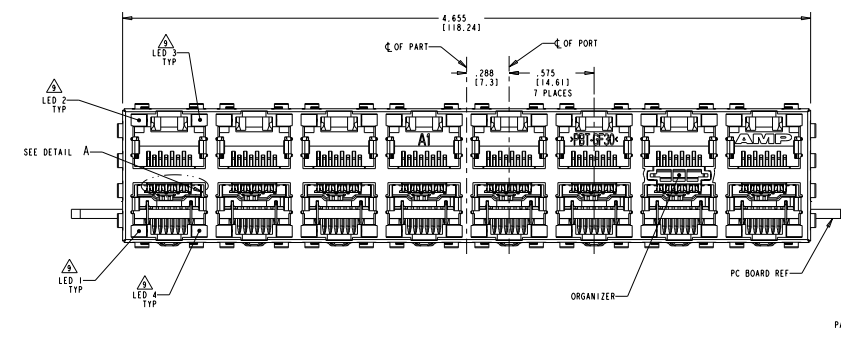
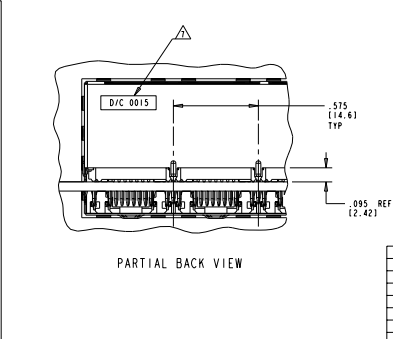
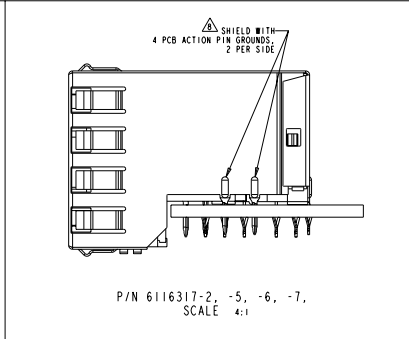
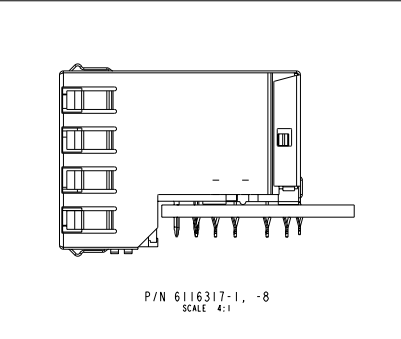


DATE SHOWN TO INDICATE REVISIONS FOR PUBLICATION ALL RIGHTS RESERVED

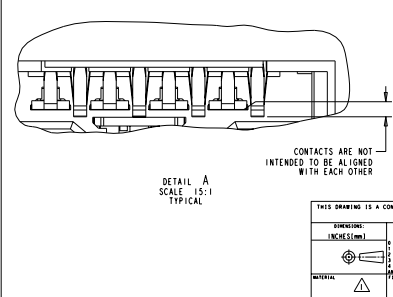
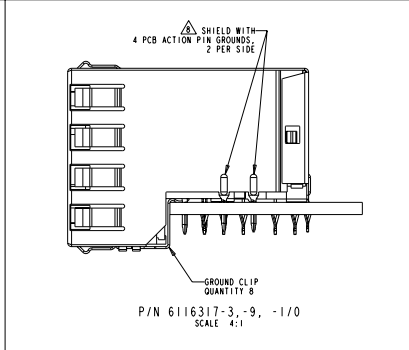
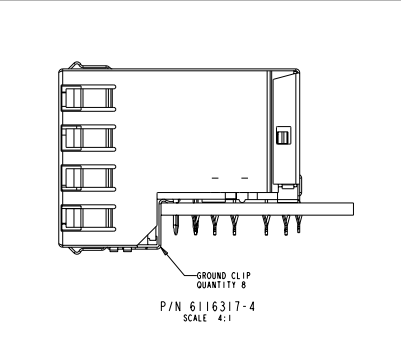
| REV | DATE | DESCRIPTION | BY | CHK | APP |
|-----|------|---------------------------|----|-----|-----|
| AA | 22 | | | | |
| C2 | | REVISED PER ECO-11-005033 | | | |



- △ HOUSING: PBT POLYESTER, BLACK, UL 94V-0.
 - △ TERMINALS: 0.30 THICK PHOS BRONZE PLATED WITH 1.27µm MINIMUM THICK HARD GOLD IN LOCALIZED AREA AND 2µm MINIMUM THICK MATTE TIN IN ACTION PIN COMPLIANT PIN TERMINAL AREA OVER 1.27µm MINIMUM THICK NICKEL UNDERPLATE.
 - △ SHIELD: 0.25 THICK COPPER ALLOY PLATED WITH 2.0µm MINIMUM THICK NICKEL UNDERPLATE.
 - △ GROUND CLIPS: 0.25 THICK COPPER ALLOY PLATED WITH 2.0µm MINIMUM THICK NICKEL UNDERPLATE.
 - △ LIGHT EMITTING DIODE (LED): DIFFUSION FOXY LENS, 12.95 CARBON STEEL WIREFRAME LEADS PLATED WITH 8.89µm TIN/COPPER OVER 2.0µm SILVER OVER 1.02µm COPPER OVER 3.56µm NICKEL OVER 1.02µm COPPER UNDERPLATE.
 - △ LED ACTION PIN COMPLIANT PIN CONTACTS: 0.30 THICK BRASS PLATED WITH 2µm MINIMUM THICK NICKEL.
2. JACK CAVITY CONFORMS TO FCC RULES AND REGULATIONS, PART 68 SUBPART F.
 3. ALL DIMENSIONS ARE NOMINAL UNLESS OTHERWISE SPECIFIED.
 4. TWO LEADS PER PORT, SIZE .079 X .118, SEE TABLE.
- △ DRILLED HOLE DIA = .040±.001, COPPER THICKNESS = .001±.003, TIN THICKNESS = .0003 MIN.
 - △ DATUMS AND BASIC DIMENSIONS ESTABLISHED BY CUSTOMER.
 - △ DATE CODE LOCATED ON REAR OF PART APPROXIMATELY AS SHOWN.
 - △ THESE FOUR SIDE PCB ACTION PIN GROUNDS AND CORRESPONDING PCB HOLES ARE REQUIRED ONLY ON 6116317-2, 6116317-3, 6116317-5, 6116317-6, 6116317-7, 8 AND 11-0.
 - △ SUGGESTED OPERATING CURRENT FOR LEADS IS 20 mA.



| RED/GREEN | RED/GREEN | RED/GREEN | RED/GREEN | 1-6116317-0 |
|----------------------|----------------------|---------------------|---------------------|-------------|
| GREEN/YELLOW | GREEN/YELLOW | RED/GREEN | RED/GREEN | 6116317-9 |
| GREEN/YELLOW | GREEN/YELLOW | RED/GREEN | RED/GREEN | 6116317-8 |
| GREEN | GREEN | YELLOW | YELLOW | 6116317-7 |
| YELLOW | YELLOW | GREEN | GREEN | 6116317-6 |
| GREEN/YELLOW | GREEN/YELLOW | GREEN/YELLOW | GREEN/YELLOW | 6116317-5 |
| GREEN | GREEN | GREEN | GREEN | 6116317-4 |
| GREEN | GREEN | GREEN | GREEN | 6116317-3 |
| GREEN | GREEN | GREEN | GREEN | 6116317-2 |
| GREEN | GREEN | GREEN | GREEN | 6116317-1 |
| LED #4 (LOWER-RIGHT) | LED #3 (UPPER-RIGHT) | LED #2 (UPPER-LEFT) | LED #1 (LOWER-LEFT) | PART NO. |



THIS DRAWING IS A CONTROLLED DOCUMENT.

DATE: 11/20/05
BY: MESSINA
CHECKED: MESSINA
APPROVED: MESSINA

INCHES (mm)

REVISED PER ECO-11-005033

DATE: 11/20/05
BY: MESSINA
CHECKED: MESSINA
APPROVED: MESSINA

114-2160

REVISION: 1 = 17.2 grams

00779 ©-6116317

CUSTOMER DRAWING

TE Connectivity

STACKED MODULAR JACK ASSEMBLY, 2X8 WITH LEADS, 8 POSITION, SHIELDED PANEL GROUND, OFFSET, CAT 5

STATE: CA CASE NUMBER: 00779

REVISION: 1

DATE: 11/20/05

BY: MESSINA

CHECKED: MESSINA

APPROVED: MESSINA

114-2160

REVISION: 1 = 17.2 grams

00779 ©-6116317

CUSTOMER DRAWING

| | | | |
|--------------|-----------------------------|---|-------------|
| 8 | 4 | △ | 1-6116317-0 |
| 8 | 4 | △ | 6116317-9 |
| NONE | NONE | △ | 6116317-8 |
| NONE | 4 | △ | 6116317-7 |
| NONE | 4 | △ | 6116317-6 |
| NONE | 4 | △ | 6116317-5 |
| 8 | NONE | △ | 6116317-4 |
| 8 | 4 | △ | 6116317-3 |
| NONE | 4 | △ | 6116317-2 |
| NONE | NONE | △ | 6116317-1 |
| GROUND CLIPS | SIDE PCB ACTION PIN GROUNDS | | PART NUMBER |

