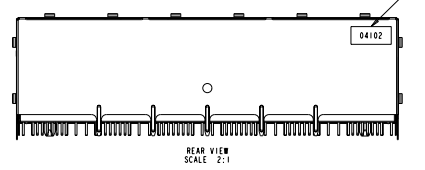
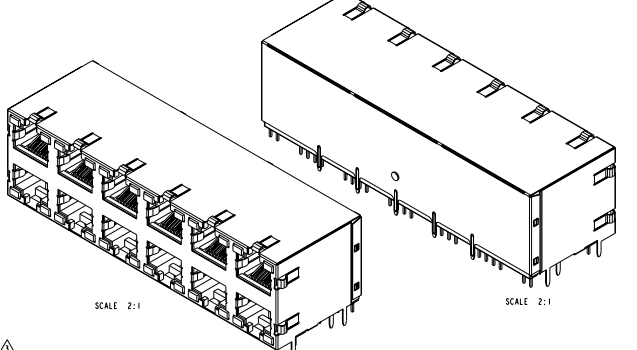
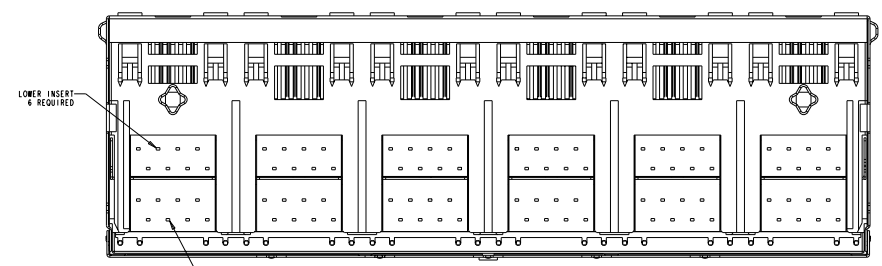
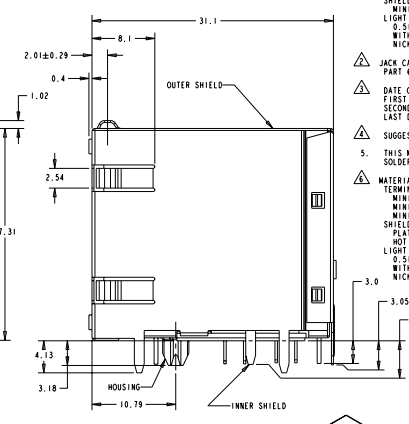
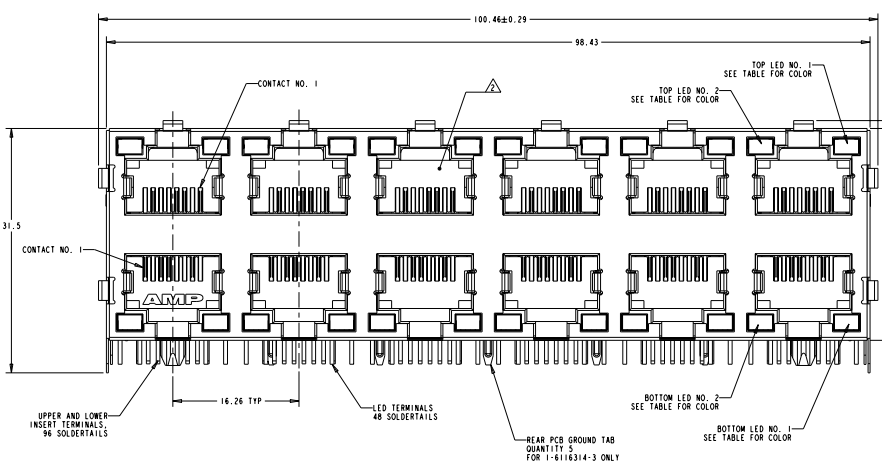


| REV | DATE | REVISIONS |
|-----|---------------|-----------|
| AA | 00 | |
| D1 | ECR-89-004284 | |

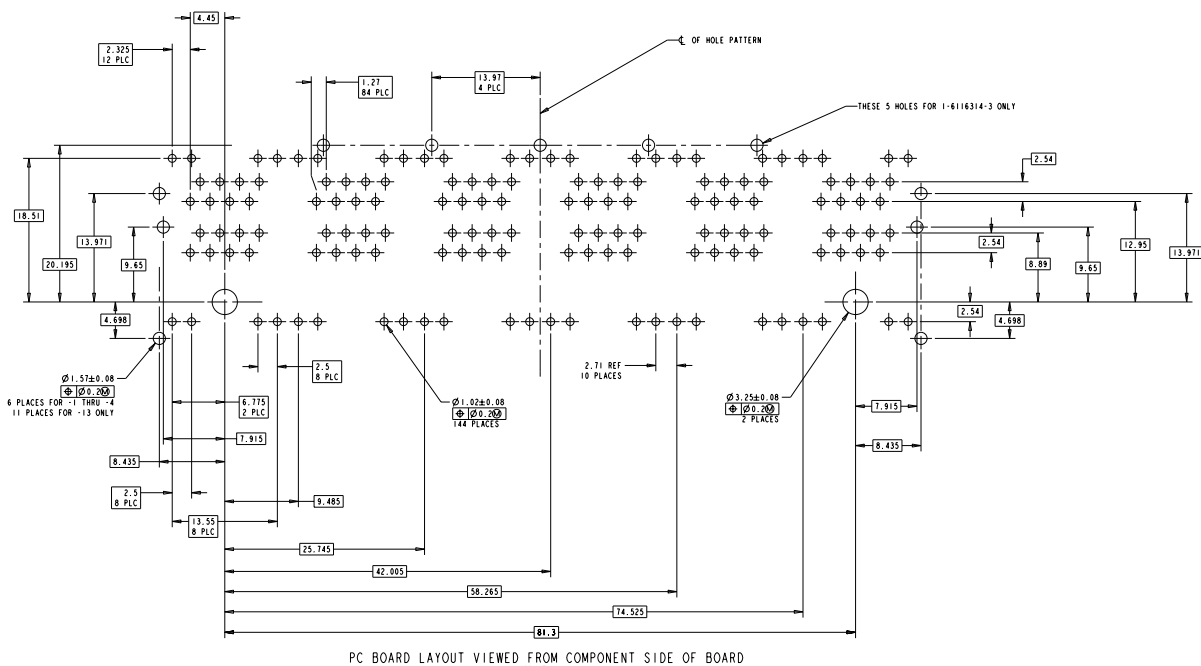


- ▲ MATERIAL: HOUSING - PBT POLYESTER, BLACK, UL 94V-0. TERMINALS - 0.33 THICK PHOS BRONZE PLATED WITH 1.27µm MINIMUM THICK HARD GOLD IN LOCALIZED AREA AND 3.81µm MINIMUM THICK MATE TIN UNDER SOLDER AREA OVER 1.27µm MINIMUM THICK NICKEL UNDERPLATE. SHIELD - 0.25 THICK COPPER ALLOY PLATED WITH 2.03µm MINIMUM BRIGHT TIN OVER 1.27µm MINIMUM NICKEL. LIGHT EMITTING DIODE (LED) - DIFFUSED EPOXY LENS, 0.51 x 0.51 CARBON STEEL WIREFRAME LEADS PREPLATED WITH 8.89µm TIN/COPPER OVER 2.03µm SILVER OVER 3.56µm NICKEL UNDERPLATE OVER 1.02µm COPPER UNDERPLATE.
- ▲ JACK CAVITY CONFORMS TO FCC RULES AND REGULATIONS, PART 68 SUBPART F.
- ▲ DATE CODE LOCATED ON REAR OF PART APPROX AS SHOWN: FIRST 2 DIGITS ARE LAST 2 DIGITS OF YEAR. SECOND 2 DIGITS ARE MANUFACTURING WEEK. LAST DIGIT IS DAY OF WEEK, WITH SUNDAY=1.
- ▲ SUGGESTED OPERATING CURRENT FOR THE LED IS 20 mA.
- ▲ THIS MODULAR JACK WITH INTEGRATED LED IS NOT IR REFLOW SOLDERING PROCESS COMPATIBLE.
- ▲ MATERIAL: HOUSING - PBT POLYESTER, BLACK, UL 94V-0. TERMINALS - 0.33 THICK PHOS BRONZE PLATED WITH 1.27µm MINIMUM THICK HARD GOLD IN LOCALIZED AREA AND 3.81µm MINIMUM THICK MATE TIN UNDER SOLDER AREA OVER 1.27µm MINIMUM THICK NICKEL UNDERPLATE. SHIELD - 0.25 THICK COPPER ALLOY PLATED WITH 1.27µm MINIMUM NICKEL AND 2.03µm MINIMUM HOT TIN DIP ON PCB GROUND TABS. LIGHT EMITTING DIODE (LED) - DIFFUSED EPOXY LENS, 0.51 x 0.51 CARBON STEEL WIREFRAME LEADS PREPLATED WITH 8.89µm TIN/COPPER OVER 2.03µm SILVER OVER 3.56µm NICKEL UNDERPLATE OVER 1.02µm COPPER UNDERPLATE.

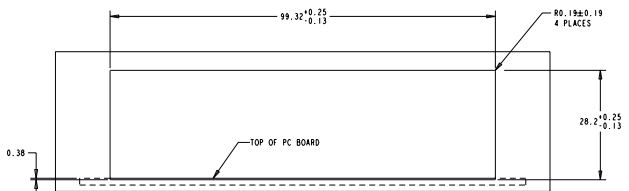
| LED NO. 1 | LED NO. 2 | TOP | PART NUMBER |
|--------------|--------------|--------------|-------------|
| GREEN | YELLOW | GREEN | 1-6116314-3 |
| GREEN/ORANGE | GREEN/ORANGE | GREEN/ORANGE | 6116314-4 |
| GREEN | YELLOW | GREEN | 6116314-5 |
| YELLOW | GREEN | YELLOW | 6116314-2 |
| GREEN | GREEN | GREEN | 6116314-1 |

| | | | |
|--|---------------------------|----------------|---------------------------|
| DATE: 11/14/89 | BY: J. HANGLER, 11SEP2005 | DATE: 11/14/89 | BY: J. HANGLER, 11SEP2005 |
| REV: 1 | REV: 1 | REV: 1 | REV: 1 |
| DESCRIPTION: ASSEMBLY, STACKED JACK, 2 x 6, 8 POSITION, SHIELDED, PANEL GROUND, LEDS, CATEGORY 5 | DATE CODE (DRAWING NO) | SCALE: 2:1 | REVISIONS |
| 00779 | 6116314 | 1 | 2 |

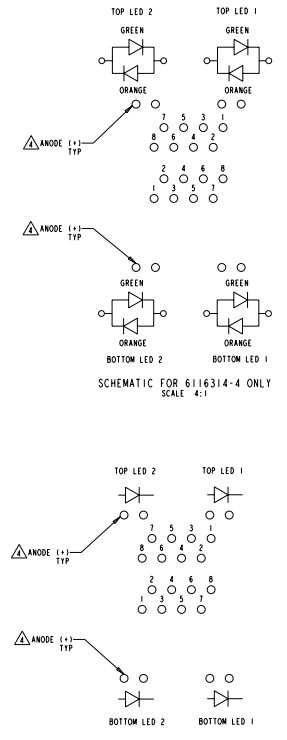
| REV | DATE | DESCRIPTION | BY | CHK | APP |
|-----|------|-------------|----|-----|-----|
| AA | 00 | SEE SHEET 1 | | | |



PC BOARD LAYOUT VIEWED FROM COMPONENT SIDE OF BOARD
SCALE 4:1



SUGGESTED PANEL CUTOUT DIMENSIONS
SCALE 2:1



SCHEMATIC FOR 6116314-4 ONLY
SCALE 4:1

SCHEMATIC FOR 6116314-1, -2, -3 & -13
SCALE 4:1

| | | | |
|--|--|---|---|
| DRAWN BY: J. W. HUNTER CHECKED BY: J. W. HUNTER DATE: 08/24/2018 TIME: 11:46:25 PROJECT: 114-2154 SHEET: 1 OF 1 CUSTOMER: CUSTOMER DRAWING | REVISED BY: J. W. HUNTER DATE: 08/24/2018 TIME: 11:46:25 PROJECT: 114-2154 SHEET: 1 OF 1 CUSTOMER: CUSTOMER DRAWING | PART NUMBER: 6116314-4 MANUFACTURER: TFC ELECTRONICS CORPORATION DATE: 08/24/2018 TIME: 11:46:25 PROJECT: 114-2154 SHEET: 1 OF 1 CUSTOMER: CUSTOMER DRAWING | TITLE: ASSEMBLY, STACKED JACK, 2 x 6, 8 POSITION, SHIELDED, PANEL GROUND, LEDS, CATEGORY 5 SCALE: 4:1 SHEET: 1 OF 1 CUSTOMER: CUSTOMER DRAWING |
|--|--|---|---|