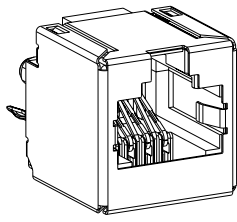
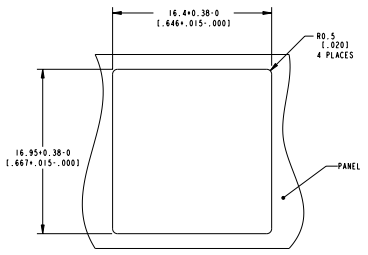
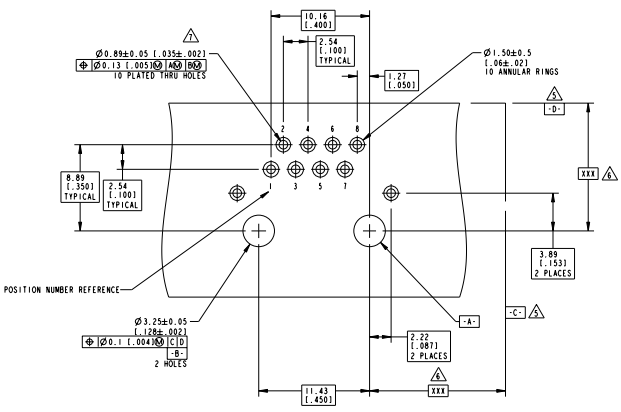
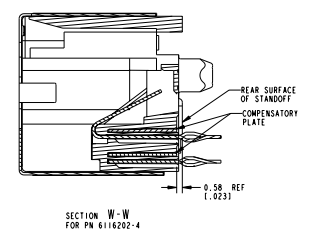
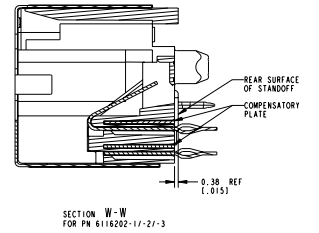
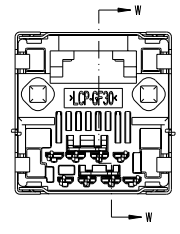
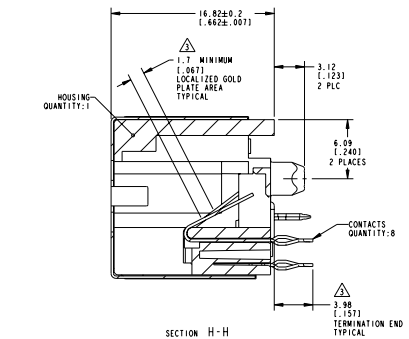
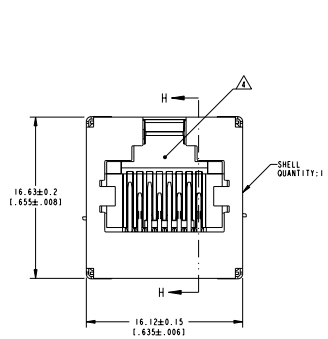


REV	DATE	DESCRIPTION	BY	CHK	APP
03		REVISED PER ECO-11-005033	IMMACHI	BA	HRH
E		ECO-11-019083	ZDREPRU	JJ	MOR



- ▲ THERMOPLASTIC.
- ▲ PHOSPHOR BRONZE.
- ▲ 1.27 µm (.00050) MIN GOLD IN LOCALIZED GOLD PLATE AREA.
- ▲ 2 µm (.000079) MIN MATTE TIN ON TERMINATION END, BOTH OVER
- ▲ 1.27 µm (.00050) MIN NICKEL.
- ▲ CAVITY CONFORMS TO FCC 47 CFR 68 PART F.
- ▲ DATUMS ESTABLISHED BY CUSTOMER.
- ▲ DIMENSIONS ESTABLISHED BY CUSTOMER.
- ▲ DRILLED HOLE DIAMETER 1.02±0.03 (.040±.001).
- ▲ COPPER THK 0.03±0.08 (.001-.003).
- ▲ TIN THICKNESS 8 µm (.00031) MIN.
- ▲ COPPER ZINC ALLOY
- ▲ 2.03 µm (.00008) MIN BRIGHT TIN OVER 1.27 µm (.00050) MIN NICKEL
- ▲ PCB BOARDS GREATER THAN 1.57 (.062) IN THICKNESS MAY REQUIRE SPECIAL EXTRACTION TOOLING. CONSULT ENGINEERING.
- ▲ PACKAGED 29 PIECES PER TUBE
- ▲ PACKAGED 27 PIECES PER TUBE
- ▲ WITH IMPROVED CHAMFERS ON TERMINAL EDGES.
- ▲ WITHOUT COMPENSATORY PLATE

FINISH	COLOR	PART NUMBER
▲▲▲	NATURAL	6116202-6
▲▲▲	NATURAL	6116202-5
▲▲▲	BLACK	6116202-4
▲▲▲	NATURAL	6116202-3
▲▲▲	NATURAL	6116202-2
▲▲▲	BLACK	6116202-1

THIS DRAWING IS A CONTROLLED DOCUMENT.

DATE: 11/14/2005  
 DRAWN BY: J. WILSON  
 CHECKED BY: J. WILSON  
 APPROVED BY: J. WILSON

TE Connectivity  
**STE**  
 MODULAR JACK ASSEMBLY,  
 VERTICAL, COMPLIANT P10, SHIELDED,  
 8 POSITION, CATEGORY 5

STATE: CA  
 CITY: SAN JOSE  
 ZIP: 95134

PART NUMBER: 6116202

CUSTOMER DRAWING