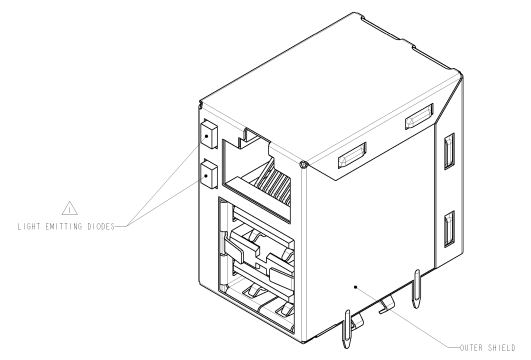


△ 6116151-2 & 6116151-4 ONLY.
 △ DATUM AND BASIC DIMENSION ESTABLISHED BY CUSTOMER.
 △ RECOMMENDED PC BOARD THICKNESS OF 1.571.0621.
 △ RJ45 JACK CAVITY CONFORMS TO FCC RULES AND REGULATIONS, PART 68 SUBPART F.
 △ MATERIAL:
 HOUSING: PLASTIC HOUSING: UL94-V0 VY THERMOPLASTIC. SEE TABLE FOR COLOR.
 TERMINAL: USB: 0.251±0.013 THICK PHOSPHOR BRONZE PLATED WITH 1.27µm NICKEL IN LOCALIZED GOLD PLATE AREA
 0.075µm MIN GOLD OVER 0.75µm MIN PALLADIUM-NICKEL IS ADDED OVER NICKEL UNDERPLATE. IN SOLDER AREA 3.8µm MIN TIN IS ADDED OVER NICKEL UNDERPLATE.
 RJ45: 0.318 THICK PHOSPHOR BRONZE PLATED WITH 1.27µm MIN THICK NICKEL IN LOCALIZED GOLD PLATE AREA 1.27µm MIN THICK GOLD IS ADDED OVER NICKEL UNDERPLATE. IN SOLDER AREA 3.8µm MIN TIN IS ADDED OVER NICKEL UNDERPLATE.
 LED: 0.5 DIAMETER CARBON STEEL LEADS PREPLATED WITH 8.5µm THICK SnCu, OVER 2.93 µm THICK Sn, OVER 1.02 µm THICK Cu, OVER 3.56 µm THICK Ni, OVER 1.02 µm Cu UNDERPLATE
 SHIELD: OUTER: 0.254 THICK COPPER-ZINC ALLOY PREPLATED WITH TIN 2µm TO 3.8µm THICK
 INNER: 0.318 THICK COPPER-ZINC ALLOY PREPLATED WITH TIN 2µm TO 3.8µm THICK
 USB: 0.318 THICK PHOSPHOR-BRONZE PREPLATED WITH 5.1µm MIN TIN

△ OBSOLETE PARTS: OBSOLETE CIS STREAMLING PER D.RENAUD/D.SINISI

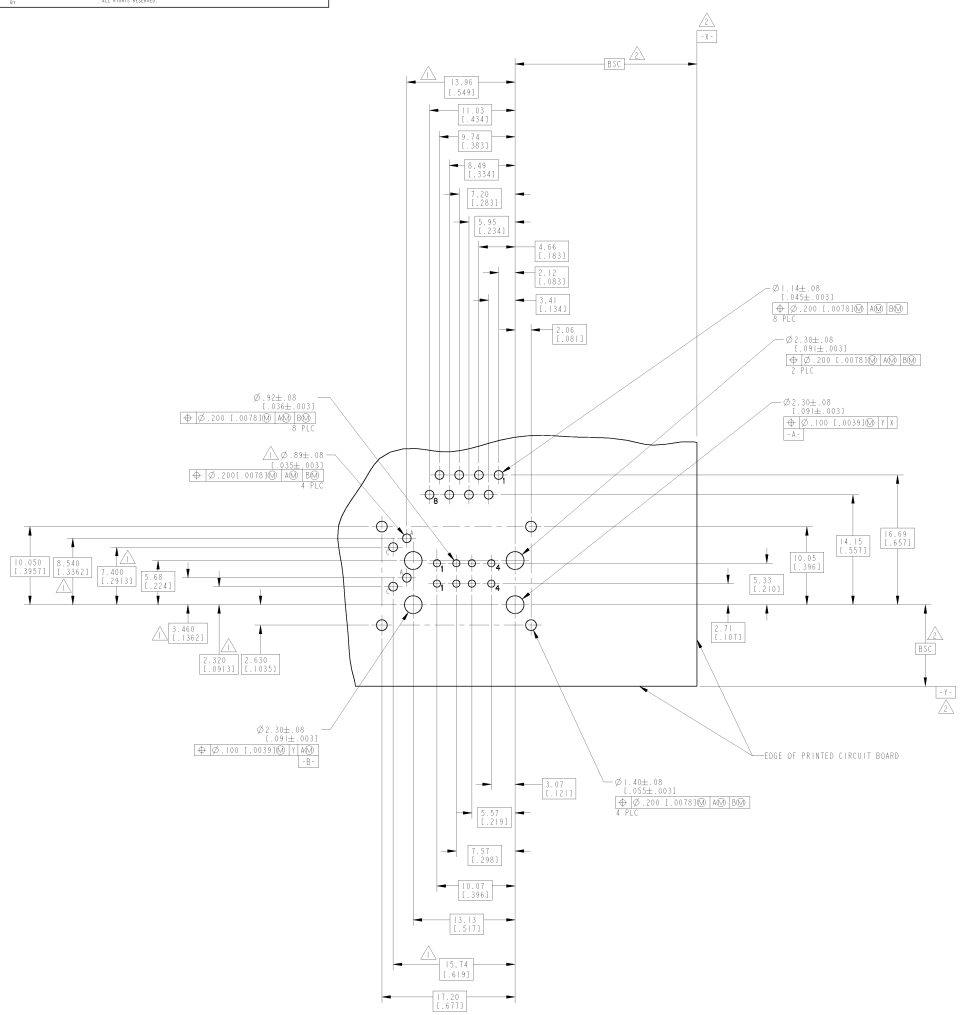


P/N 6116151-2 & 6116151-4 WITH LEDS

OBSOLETE	GREEN	GREEN	BLACK	6116151-4
	NO LED	NO LED	TURQUOISE	6116151-3
	YELLOW	GREEN	BLACK	6116151-2
	NO LED	NO LED	BLACK	6116151-1
	BOTTOM LED	TOP LED	HOUSING COLOR	PART NUMBER

STANDARD	ASSEMBLY	TE Connectivity
DESCRIPTION	ASSEMBLY, RJ-45 MODULAR JACK OVER STACKED USB RECEPTACLE, WITH LEADS AND WITHOUT LEADS	
MATERIAL	REF NOTE 5	REF NOTE 5
DATE	01/11/2011	01/11/2011
BY	AA	AA
CHKD		
APPD		

REV	DATE	DESCRIPTION	BY	CHK	APP
AA	22	SEE SHEET 1			



RECOMMENDED PCB LAYOUT

DRAWN BY CHECKED BY DATE SCALE SHEET NO.	DESIGNED BY CHECKED BY DATE SCALE SHEET NO.	APPROVED BY DATE SCALE SHEET NO.	STE TE Connectivity ASSEMBLY, RJ-45 MODULAR JACK OVER STACKED USB RECEPTACLE, WITH LEADS AND WITHOUT LEADS PART 1 ENG 006 [REVISE AS A 100773 [C=616151]
--	---	---	--