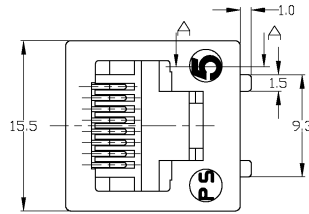
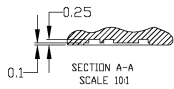
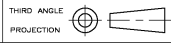
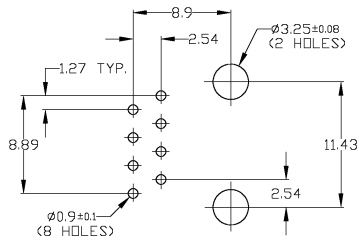
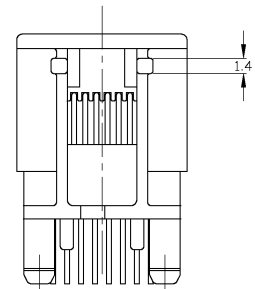
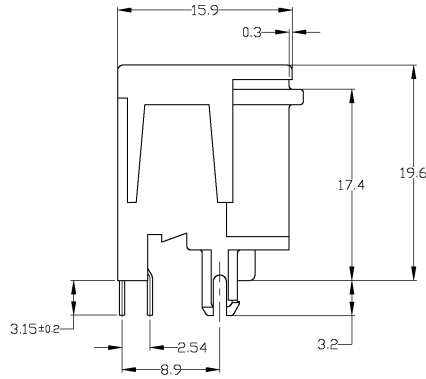
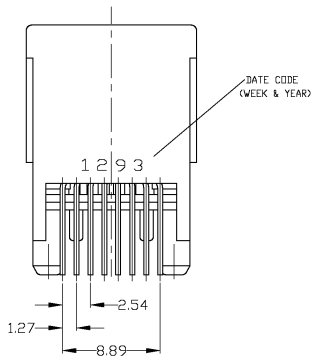


DO NOT SCALE  
DIMENSIONS IN mm

METRIC



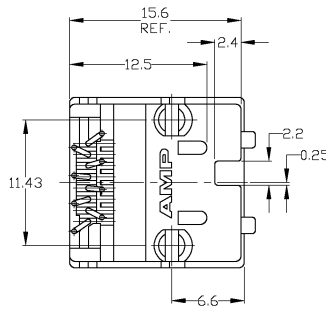
- NOTES:
- TOLERANCES UNLESS OTHERWISE SPECIFIED  $\pm 0.15$ .
  - CONTACTS:  
1.27  $\mu$ m MIN. GOLD, SELECTIVE IN CONTACT AREA, OVER 1.27  $\mu$ m MIN. NICKEL.  
2.0  $\mu$ m MIN. TIN-LEAD OVER 1.27  $\mu$ m MIN. NICKEL ON SOLDER TINES.
  - HOUSING:  
PBT, COLOR BLACK, UL 94V-0  
CONTACTS:  
PHOSPHOR BRONZE
  - FOR APPLICATION INFORMATION SEE AMP SPEC. 114-19019.
  - FOR PERFORMANCE REQUIREMENTS SEE AMP SPEC. 108-19064.
  - PACKAGING: BULK PACKAGED.  
TRUE POSITIONING OF THE SOLDER TINES,  
MAY BE AFFECTED BY BULK PACKAGING.



PRINTED CIRCUIT BOARD LAYOUT

[VIEW SHOWN IS CIRCUIT (NONCOMPONENT) SIDE OF BOARD.]

PRINTED CIRCUIT BOARD THICKNESS: 1.6 mm NOMINAL.  
TOLERANCES UNLESS OTHERWISE SPECIFIED:  $\pm 0.05$ .



DESCRIPTION	FINISH	MATERIAL	P/N
B POS. / B CONT.			338360-1
CUSTOMER DRAWING FOR REFERENCE ONLY WILL NOT BE UPDATED			
© COPYRIGHT 1989 BY AMP HOLLAND B.V. ALL INTERNATIONAL RIGHTS RESERVED AMP PRODUCTS MAY BE COVERED BY U.S. AND FOREIGN AND/OR PATENTS PENDING. THIS DRAWING IS UNPUBLISHED. RELEASED FOR PUBLICATION			
B	SR10-0084-02	KV	06 FEB 02
A	EH-1142-97	DVE	W.B. 18 NOV 97
0	EH-2870-97	DVE	W.B. 12 AUG 97
LTR	REVISION RECORD	DR	CHK. DATE
DR: E.V.DJK	CHK: W.BRUMMANS	APP: J.SMETS	DWG. No. C-338360
DATE: 12 AUG 97	DATE:	DATE:	REV. LTR. SHEET B 1 of 1 A2

11 | 10 | 9 | 8 | 7 | 6 | 5 | 4 | 3 | 2 | 1