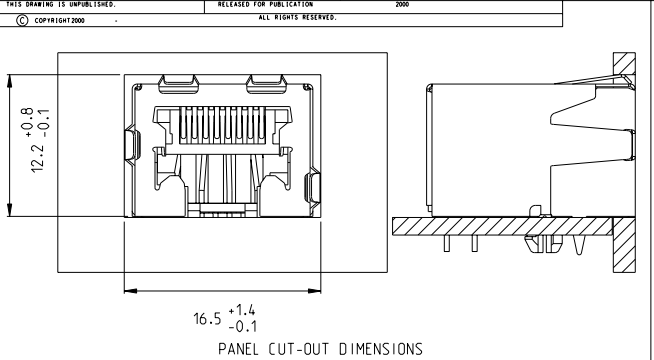


4

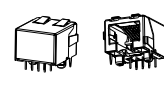
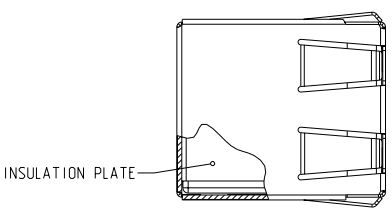
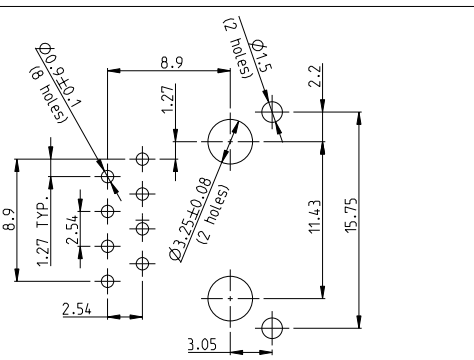
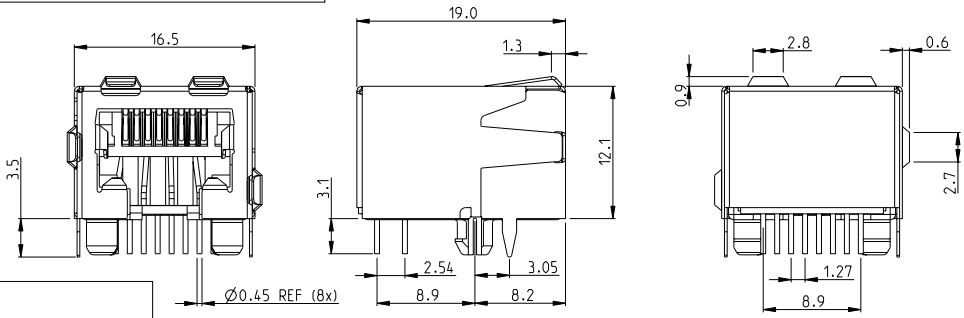
3

2

1



REV	DATE	BY	APP'D
J	21JAN2011	PS	RRP

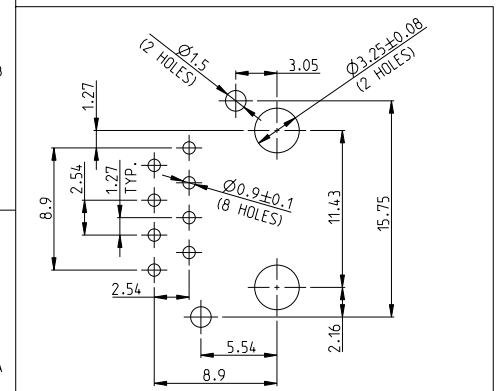
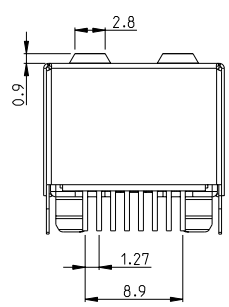
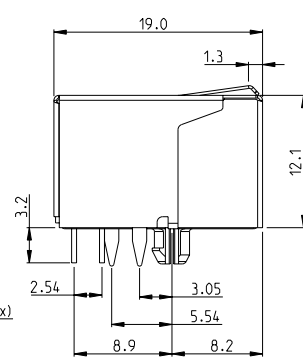
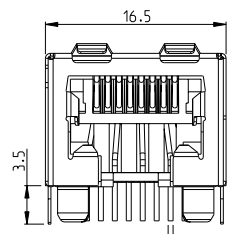
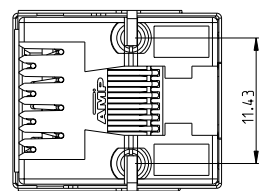
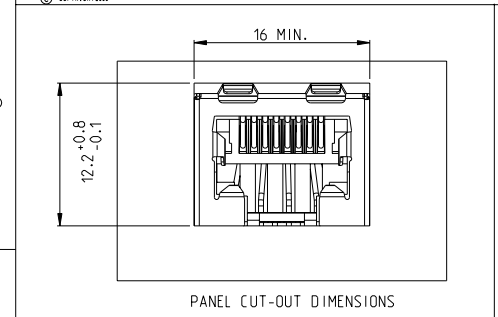


SCALE: 1:1

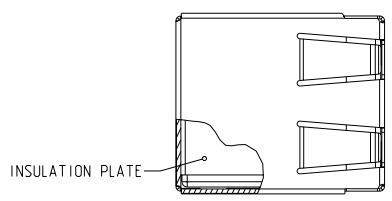
PRINTED CIRCUIT BOARD LAYOUT.
 (VIEW SHOWN IS CIRCUIT (NONCOMPONENT) SIDE OF BOARD)
 PRINTED CIRCUIT BOARD THICKNESS: 1.6 mm NOMINAL,
 TOLERANCE UNLESS OTHERWISE SPECIFIED: ±0.05mm.

PACKAGED 190 PIECES IN A TRAY	8 POS. 8 CONT.	OVERALL: Ni 1.27 µm MIN. ALL OVER THE CONTACTS	HOUSING: PBT UL 94 V-0 BLACK	2-338556-1
		SOLDER ZONE: Sn 2.5 µm MIN. ON THE SOLDER ZONE OF THE CONTACT	CONTACTS: PHOSPHOR BRONZE	
		MATING ZONE: PLATING CONFIRMS TO PRODUCT REQUIREMENTS AS PER SPECIFICATION 108-19064	SHIELD: PHOSPHOR BRONZE PRE-PLATED (BRIGHT TIN)	
PACKAGING	REMARKS	DESCRIPTION	MATERIAL	P/N
THIS DRAWING IS A CONTROLLED DOCUMENT. DWG NO. 108-19064-01		DESIGNER: V. E. IJIK	TE Connectivity 8 pos. Modular Jack Side Entry fully shielded with insulation plate	
DIMENSIONS: mm		APPROVED: M. W. ESSEN		
0 PLC #0.15 1 PLC #0.15 2 PLC #0.15 3 PLC #0.15 4 PLC #0.15 ANGLES #0.30 MATERIAL /FINISH		8 SHEETS PRODUCT SPEC 108-19064 APPLICATION SPEC 114-19019 WEIGHT CUSTOMER DRAWING	SIZE: A2 CASE CODE: 00779 DRAWING NO: 338556	RESTRICTED TO: -
			SCALE: 4:1	SHEET: 1 of 2

REVISONS		DATE	BY	APPROV
P	LYA			
-	-	-	-	-
SEE SHEET 1				



(VIEW SHOWN IS CIRCUIT (NONCOMPONENT) SIDE OF BOARD.)
 PRINTED CIRCUIT BOARD THICKNESS: 1.6 mm NOMINAL.
 TOLERANCE UNLESS OTHERWISE SPECIFIED: ± 0.15 mm.



PACKAGING	REMARKS	DESCRIPTION	MATERIAL	P/N
PACKAGED 190 PIECES IN A TRAY	8 POS. 8 CONT.	OVERALL: Ni 1.27 µm MIN. ALL OVER THE CONTACTS SOLDER ZONE: Sn 2.5 µm MIN. ON THE SOLDER ZONE OF THE CONTACT MATING ZONE: PLATING CONFIRMS TO PRODUCT REQUIREMENTS AS PER SPECIFICATION 108-19064	HOUSING: PBT UL 94V-0 BLACK CONTACTS: PHOSPHOR BRONZE SHIELD: PHOSPHOR BRONZE PRE-PLATED BRIGHT TIN	3-338556-1
THIS DRAWING IS A CONTROLLED DOCUMENT.		TE Connectivity		
DIMENSIONS: mm		8 pos. Modular Jack Side Entry fully shielded with insulation plate		
MATERIAL		RESTRICTED TO		
CUSTOMER DRAWING		SCALE 4:1 SHEET 2 of 2 REV J		