

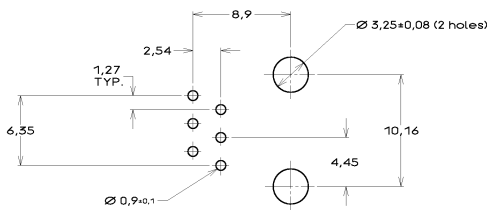
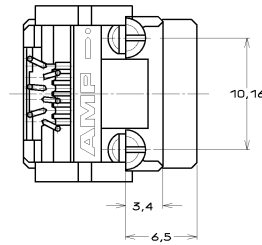
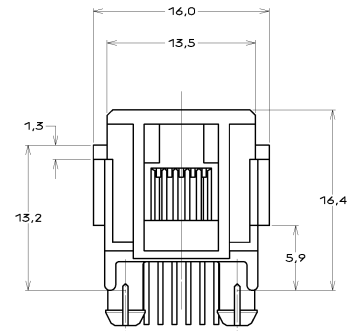
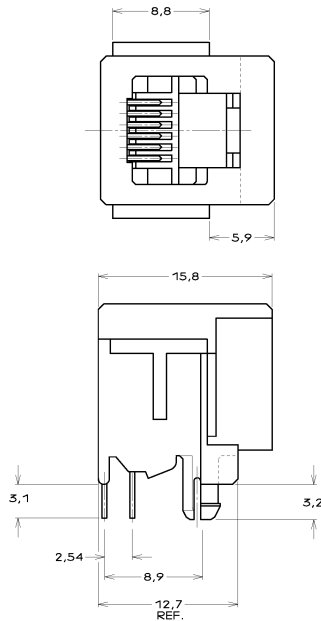
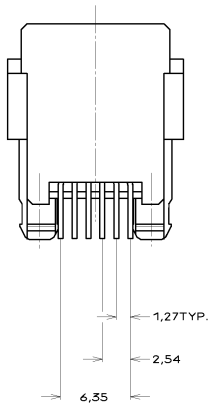
DO NOT SCALE
DIMENSIONS IN mm

METRIC



NOTES:

- 1 SEE SHEET 2 FOR 216564-2, 6 POS./4 CONTACTS.
- 2 TOLERANCES UNLESS OTHERWISE SPECIFIED: +0,15
- 3 FOR APPLICATION INFORMATION SEE AMP SPEC. 114-19019.
- 4 FOR PERFORMANCE REQUIREMENTS SEE AMP SPEC. 108-19064



PRINTED CIRCUIT BOARD LAYOUT

[VIEW SHOWN IS CIRCUIT (NONCOMPONENT) SIDE OF BOARD.]

TOLERANCES UNLESS OTHERWISE SPECIFIED: ± 0,05.
PRINTED CIRCUIT BOARD THICKNESS: 1,6 mm NOMINAL.

700pcs. ON A 60cm. DIA. REEL	6 POSITIONS/ 6 CONTACTS.	IN CONTACT AREA: 1,2mm MIN. SEL. GOLD OVER 1,2mm MIN. NICKEL	HOUSING: PTB.U.L. 94-HB COLOR: BLACK	216564-1
REMARKS	REMARKS	FINISH	MATERIAL	PARTNUMBER
-	-	-	-	-
-	-	-	-	-
H2	ECR-08-013498	AEG	18-02-09	FOR REFERENCE ONLY WILL NOT BE UPDATED
H1	OU60-0073-00	EV	10 AUG 00	© COPYRIGHT 99 BY AMP HOLLAND B.V. ALL INTERNATIONAL RIGHTS RESERVED AMP PRODUCTS MAY BE COVERED BY U.S. AND FOREIGN AND/OR PATENTS PENDING. THIS DRAWING IS UNPUBLISHED RELEASED FOR IDENTIFICATION
H	EH-1376-99	MVE	22 JUL 99	AMP HOLLAND B.V. 's-Hertogenbosch, The Netherlands.
G	EH-0939-99	XG	TD APR 99	NAME
F	EH-0244-96	MVE	G.C. 15 FEB 96	MODULAR JACK, 6 POS. TOP ENTRY, WITH PANEL STOPS, FOR PRINTED CIRCUIT BOARD.
LTR	REVISION RECORD	DR.	CHK.	DATE
DR.	L.v.g.H.E./D2N	CHK.	C. STERN	APP.
DATE	29 AUG 89	DATE	-	DATE
				DWS No
				C-216564
				REV LTR
				H2
				SHEET
				1 of 2
				A2

26-129 REV 04-97	11	10	9	8	7	6	5	4	3	2	1
---------------------	----	----	---	---	---	---	---	---	---	---	---

