

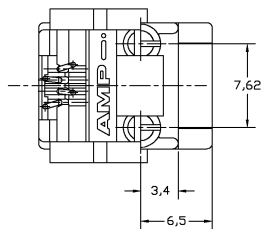
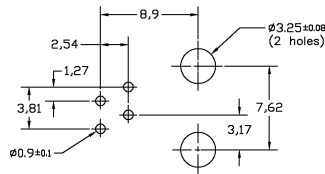
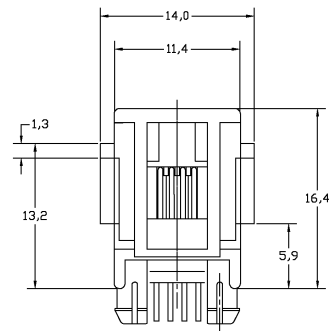
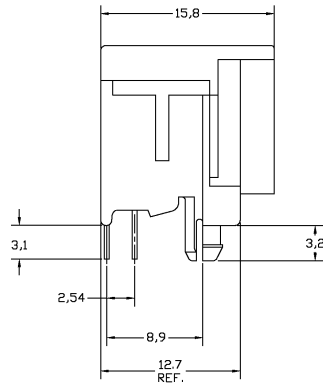
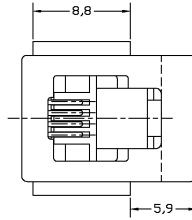
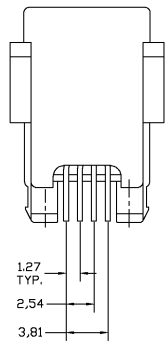
DO NOT SCALE  
DIMENSIONS IN mm

METRIC



NOTES:

- 1 TOLERANCES UNLESS OTHERWISE SPECIFIED:  $\pm 0,15$
- 2 FOR APPLICATION INFORMATION SEE AMP SPEC. 114-19019.
- 3 FOR PERFORMANCE REQUIREMENTS SEE AMP SPEC. 108-19064



PRINTED CIRCUIT BOARD LAYOUT

VIEW SHOWN IS CIRCUIT (NONCOMPONENT) SIDE OF BOARD.  
TOLERANCES UNLESS OTHERWISE SPECIFIED:  $\pm 0,05$ .  
PRINTED CIRCUIT BOARD THICKNESS: 1,6 mm NOMINAL.

|   |                             |   |   |            |              |
|---|-----------------------------|---|---|------------|--------------|
| BULK PACKAGED<br>1000pcs IN A BOX   | 4 POSITIONS/<br>4 CONTACTS. | IN CONTACT AREA:<br>1,2µm MIN. SEL. GOLD<br>OVER 1,2µm MIN. NICKEL. | HOUSING:<br>PTB,JUL 94-HB<br>COLOR: BLACK | 216562-3   |              |
| TAPE MOUNTED<br>700pcs ON A<br>60cm DIA. REEL   |                             | SOLDER FINISH:<br>2,0µm MIN. TIN-LEAD<br>OVER 1,2µm MIN. NICKEL.    | CONTACTS:<br>PHOSPHOR BRONZE              | 216562-1   |              |
| PACKAGING   | REMARKS                     | FINISH  | MATERIAL                                  | PARTNUMBER |              |
| CUSTOMER DRAWING FOR REFERENCE ONLY<br>NOT TO BE UPDATED<br>© COPYRIGHT 1988 BY AMP HOLLAND B.V.<br>ALL INTERNATIONAL RIGHTS RESERVED. AMP PRODUCTS MAY BE<br>COVERED BY U.S. AND FOREIGN AND/OR PATENTS PENDING.<br>THIS DRAWING IS UNPUBLISHED<br>RELEASED FOR PUBLICATION 19 |                             |   |   |            |              |
| J   | SR10-0438-02                | KV  | 08 OCT 02                                 |            |              |
| H1  | 0060-0073-00                | KV  | 10 AUG 00                                 |            |              |
| H   | EH00-1376-99                | MVE   | 22 JUL 99                                 |            |              |
| G   | EH00-0638-99                | JG  | ME APR 99                                 |            |              |
| F   | EH00-0244-99                | MVE   | 15 FEB 99                                 |            |              |
| LTR   | REVISION RECORD             | DR. CHK.  | DATE                                      |            |              |
| DR.: L.V.GHEBLEN  | CHK.: C.STERKEN             | APP.: L.V.SOEST   | DATE:                                     |            |              |
| DATE: 1 SEP 98  | DATE:                       | DATE:   |   |            |              |
| DWG.No. C-216562  |                             |   |   | REV.LTR. J | SHEET 1 OF 1 |
| 4   | 3                           | 2   | 1   | A2         |              |

11 | 10 | 9 | 8 | 7 | 6 | 5 | 4 | 3 | 2 | 1