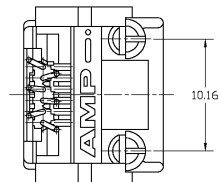
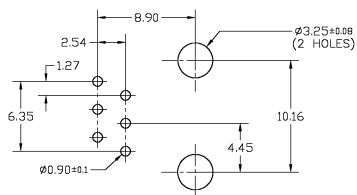
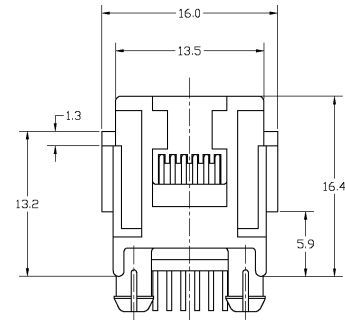
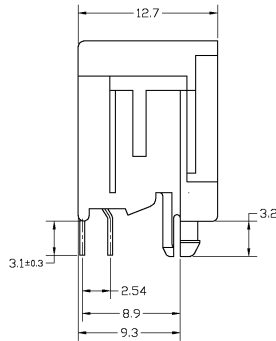
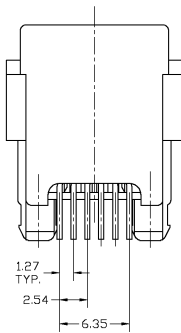
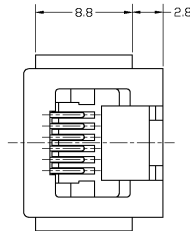


DO NOT SCALE METRIC THIRD ANGLE PROJECTION

NOTES:

- 1 SEE SHEET 2 FOR 6 POS./4 CONTACTS
- 2 TOLERANCES UNLESS OTHERWISE SPECIFIED:  $\pm 0,15$
- 3 FOR APPLICATION REQUIREMENTS SEE AMP SPEC. 114-19019
- 4 FOR PERFORMANCE REQUIREMENTS SEE AMP SPEC. 108-19064



PRINTED CIRCUIT BOARD LAYOUT

VIEW SHOWN IS CIRCUIT (NONCOMPONENT) SIDE OF BOARD.  
 TOLERANCES UNLESS OTHERWISE SPECIFIED:  $\pm 0,05$ .  
 PRINTED CIRCUIT BOARD THICKNESS: 1,6 mm NOMINAL.

800 PCS ON A 60 CM DIA. REEL	6 POSITIONS/ 6 CONTACTS.	IN CONTACT AREA: 1,2µm MIN. SEL. GOLD OVER 1,2µm MIN. NICKEL	HOUSING: PBT/JUL 94-HB COLOR: BLACK	216548-1
PACKAGING	REMARKS	FINISH	MATERIAL	PARTNUMBER
CUSTOMER DRAWING				FOR REFERENCE ONLY - WILL NOT BE UPDATED
THIS DRAWING IS UNPUBLISHED				
RELEASED FOR PUBLICATION				
<b>STE</b> TE Connectivity				
J1	REVISED PER ECO-11-005294	RK	HMR	08APR11
LTR	REVISION RECORD	DR	CHK	DATE
DR: JAKLEWIT	CHK: C.STERNEN	APP: LV.SOEST	NAME: MODULAR JACK 6 POS. TOP ENTRY SMALL SIZE WITH PANEL STOPS FOR PRINTED CIRCUIT BOARD	
DATE: 31 JAN 94	DATE: -	DATE: -	DWG. No. C-216548	REV: LTR 1 OF 2
11	10	9	8	7
4	3	2	1	A2

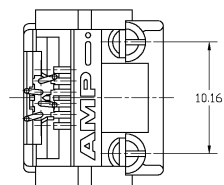
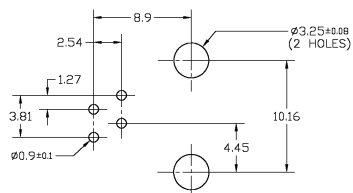
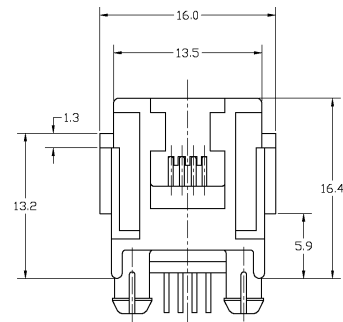
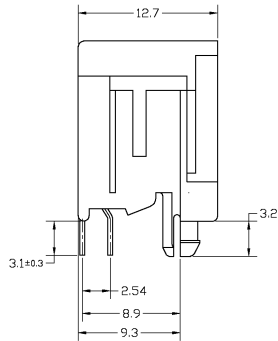
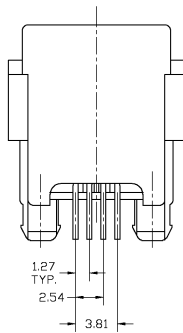
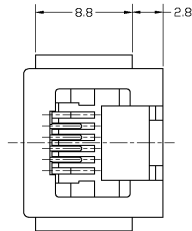
DO NOT SCALE  
DIMENSIONS IN mm

METRIC



NOTES:

- 1 SEE SHEET 1 FOR 6 POS./6 CONTACTS
- 2 TOLERANCES UNLESS OTHERWISE SPECIFIED:  $\pm 0,15$
- 3 FOR APPLICATION REQUIREMENTS SEE AMP SPEC. 114-19019
- 4 FOR PERFORMANCE REQUIREMENTS SEE AMP SPEC. 108-19064



PRINTED CIRCUIT BOARD LAYOUT

VIEW SHOWN IS CIRCUIT (NONCOMPONENT) SIDE OF BOARD.  
TOLERANCES UNLESS OTHERWISE SPECIFIED:  $\pm 0,05$ .  
PRINTED CIRCUIT BOARD THICKNESS: 1,6 mm NOMINAL.

800 PCS ON A 60 CM DIA. REEL	4 POSITIONS/ 6 CONTACTS.	IN CONTACT AREA: 1,2µm MIN. SEL. GOLD OVER 1,2µm MIN. NICKEL	HOUSING: PBT/JUL 94-HB COLOR: BLACK	216548-2
		SOLDER TINES: 2,0µm MIN. TIN-LEAD OVER 1,2µm MIN. NICKEL	CONTACTS: PHOSPHOR BRONZE	
PACKAGING	REMARKS	FINISH	MATERIAL	PARTNUMBER
CUSTOMER DRAWING				FOR REFERENCE ONLY - WILL NOT BE UPDATED
THIS DRAWING IS UNPUBLISHED RELEASED FOR PUBLICATION				
<b>STE</b> TE Connectivity				
NAME: MODULAR JACK 6 POS. TOP ENTRY SMALL SIZE WITH PANEL STOPS FOR PRINTED CIRCUIT BOARD				
LTR:	REVISION RECORD	DR:	CHK:	DATE
DR: J. KLEWIT	CHK: C. STERNEN	APP: L. SOEST		
DATE: 31 JAN 94	DATE: -	DATE: -		
		DWG. No. C-216548	REV: LTR. J1	SHEET 2 OF 2
				A2

SEE SHEET

11 | 10 | 9 | 8 | 7 | 6 | 5 | 4 | 3 | 2 | 1