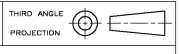


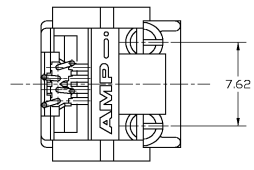
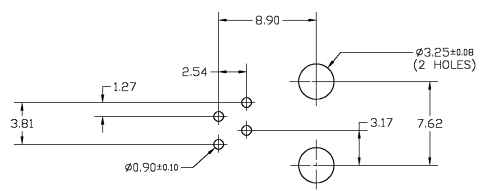
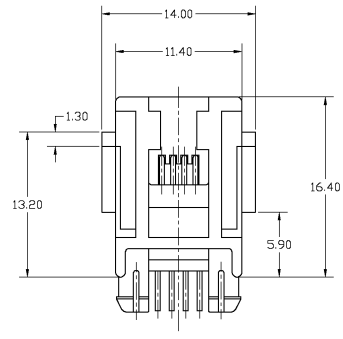
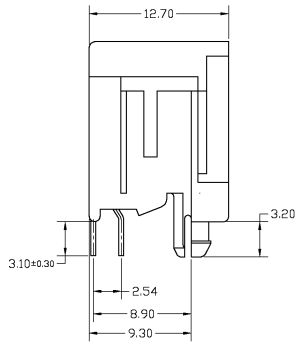
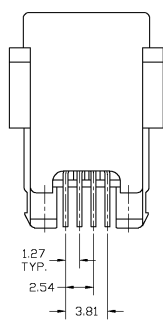
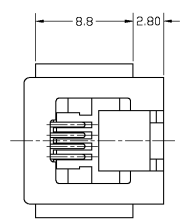
DO NOT SCALE
DIMENSIONS IN mm

METRIC



NOTES:

- 1 TOLERANCES UNLESS OTHERWISE SPECIFIED: ±0,15
- 2 FOR APPLICATION INFORMATION SEE AMP SPEC. 114-19019.
- 3 FOR PERFORMANCE REQUIREMENTS SEE AMP SPEC. 10B-19064



PRINTED CIRCUIT BOARD LAYOUT

VIEW SHOWN IS CIRCUIT (NONCOMPONENT) SIDE OF BOARD.
TOLERANCES UNLESS OTHERWISE SPECIFIED: ± 0,05.
PRINTED CIRCUIT BOARD THICKNESS: 1,6 mm NOMINAL.

1000 PCS ON A 60 CM DIA. REEL	4 POSITIONS/ 4 CONTACTS.	IN CONTACT AREA: 1,2µm MIN. SEL. GOLD OVER 1,2µm MIN. NICKEL	HOUSING: PBT/UL 94-HB COLOR: BLACK	216546-1	
		SOLDER TINES: 2,0µm MIN. TIN-LEAD OVER 1,2µm MIN. NICKEL	CONTACTS: PHOSPHOR BRONZE		
PACKAGING	REMARKS	FINISH	MATERIAL	PARTNUMBER	
CUSTOMER DRAWING FOR REFERENCE ONLY - WILL NOT BE UPDATED					
© COPYRIGHT 1984 BY AMP HOLLAND B.V.					
ALL INTERNATIONAL RIGHTS RESERVED AMP PRODUCTS MAY BE COVERED BY U.S. AND FOREIGN AND/OR PATENTS PENDING.					
THIS DRAWING IS UNPUBLISHED					
RELEASED FOR PUBLICATION					
J	SR10-0119-01	KV	KV	23 APR 01	
H	EH00-1248-88	EVE	MVE	26 OCT 88	
G	EH00-0244-85	MVE	G.C.	15 FEB 85	
F	EH00-0201-85	G.C.	CS	14 MAR 85	
E	EH00-0242-84	JL	CS	31 JAN 84	
LTR	REVISION RECORD	DR	CHK	DATE	
DR:	JAKLEWITZ	CHK:	C.STERNEN	APP:	LV.SOEST
DATE:	31 JAN 94	DATE:	-	DATE:	-
		DWG. No. C-216546		REV. LTR. J	SHEET 1 OF 1
					A2