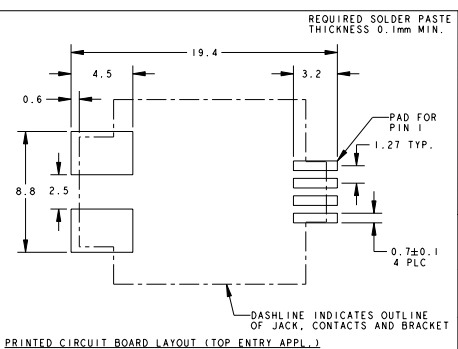
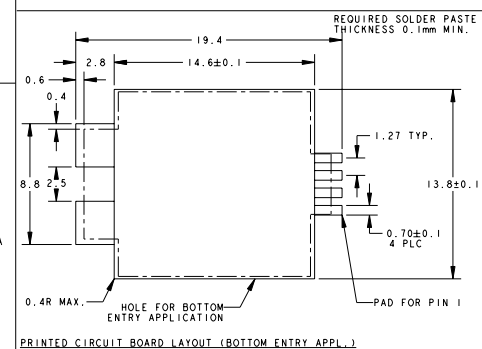
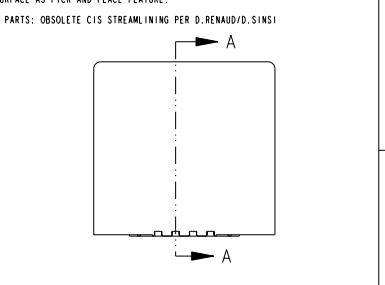
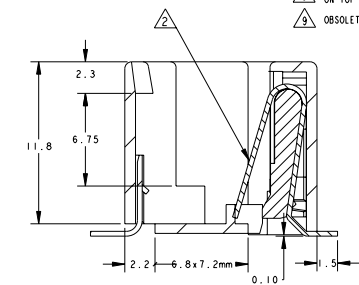
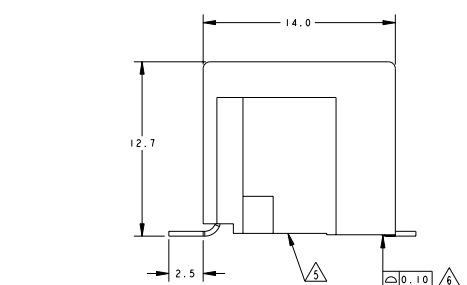
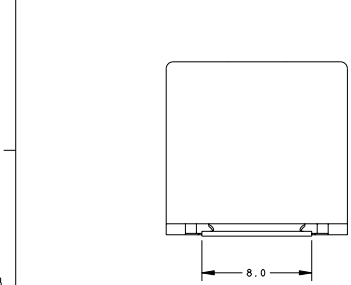
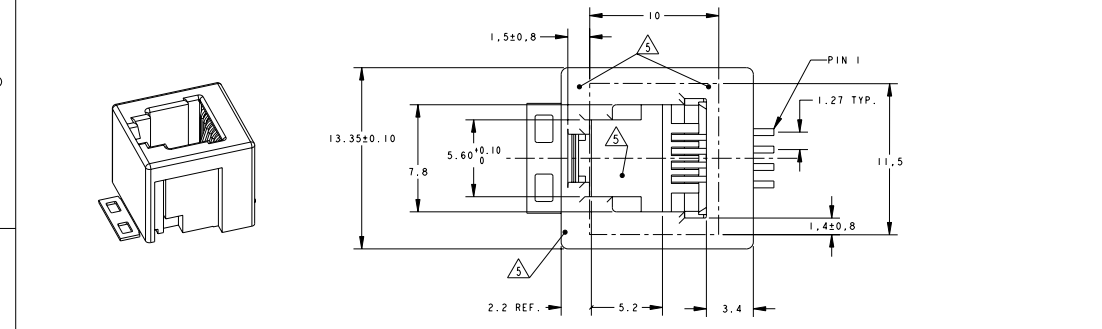


LOC	REV	DATE	BY	CHKD	REVISIONS
IR	Y	21 JUN 2011	PS	PKS	DESCRIPTION
					ECR-10-020218

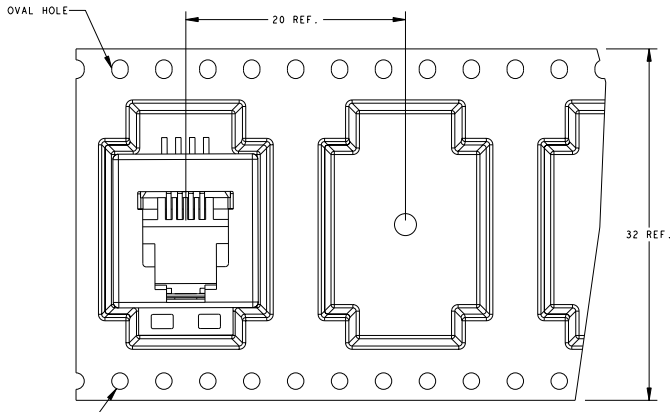
- NOTES:**
- TOLERANCES UNLESS OTHERWISE SPECIFIED: ± 0.15 .
 - CONTACT PLATING:**
 OVERALL: $\geq 1.27 \mu\text{m}$ MIN. ALL OVER THE CONTACTS
 SOLDER ZONE: $5\mu\text{m}$ $3.5\text{--}5.0\mu\text{m}$ ON THE SOLDER ZONE OF THE CONTACT
 MATING ZONE: PLATING CONFIRMS TO PRODUCT REQUIREMENTS AS PER SPECIFICATION 108-19117
 - MATERIALS:**
 HOUSING: 30% G.F. PA 9T COLOR BLACK, UL 94V-0.
 CONTACTS: PHOSPHOR BRONZE
 SOLDER BRACKET: TIN PLATED BRASS WITH NICKEL UNDERPLATE.
 - THIS JACK CAN ALSO BE APPLIED HANGING THROUGH A HOLE, IN A PRINTED CIRCUIT BOARD. SEE LEFT PCB LAYOUT.
 - SURFACE CAN BE USED FOR PICKING THE MODULAR JACK WITH TYPE II SMD MACHINE.
 - MEASURED AT HEEL OF CONTACTS
 COPPLANARITY AT TIPS OF CONTACTS MAX. 0.18mm
 - TAPE AND REEL PACKAGING ACCORDING TO EIA 481-3 SPECIFICATIONS.
 - INCLUDES KAPTON TAPE ($110 \times 11.5\text{mm}$) ON TOP SURFACE AS PICK AND PLACE FEATURE.
 - OBSOLETE PARTS: OBSOLETE CIS STREAMLINING PER D.RENAUD/D.SINIS



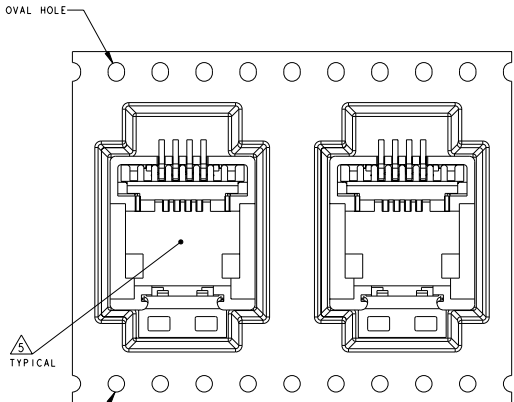
REMARKS	PACKAGING	PART NUMBER
4 POS./4 CONT. BOTTOM ENTRY ORIENTATION PER DETAIL B2	750 PCS ON Ø560 mm OD REEL.	2-338084-5
4 POS./4 CONT. TOP ENTRY ORIENTATION PER DETAIL B1	750 PCS ON Ø560 mm OD REEL.	2-338084-3
4 POS./4 CONT. TOP ENTRY ORIENTATION PER DETAIL B1	300 PCS ON Ø360 mm OD REEL.	1-338084-6
4 POS./4 CONT. BOTTOM ENTRY ORIENTATION PER DETAIL B2	300 PCS ON Ø360 mm OD REEL.	1-338084-5
4 POS./4 CONT. TOP ENTRY ORIENTATION PER DETAIL B1	300 PCS ON Ø360 mm OD REEL.	1-338084-3

THIS DRAWING IS A CONTROLLED DOCUMENT.		DATE: 30-SEP-96	BY: E. FLJK	TE Connectivity
DIMENSIONS: mm		APPROVED: E. SILLINGA	DEC. '96	
TOLERANCES UNLESS OTHERWISE SPECIFIED:		NAME: INVERTIBLE MODULAR JACK, 4 POSITION		
Ø	PLC	±	PRODUCT SPEC: 108-19117	
PLC	±	APPLICATION SPEC: 114-19041		
PLC	±	SHEET: 1 OF 2		
PLC	±	DRAWING NO: A200779-338084		
PLC	±	RESTRICTED TO: -		
PLC	±	MATERIAL: SEE NOTE 3 -		
PLC	±	WEIGHT: 1.92 gr		
PLC	±	CUSTOMER DRAWING		
PLC	±	SCALE: 5:1		
PLC	±	SHEET: 1 OF 2		
PLC	±	REV: Y		

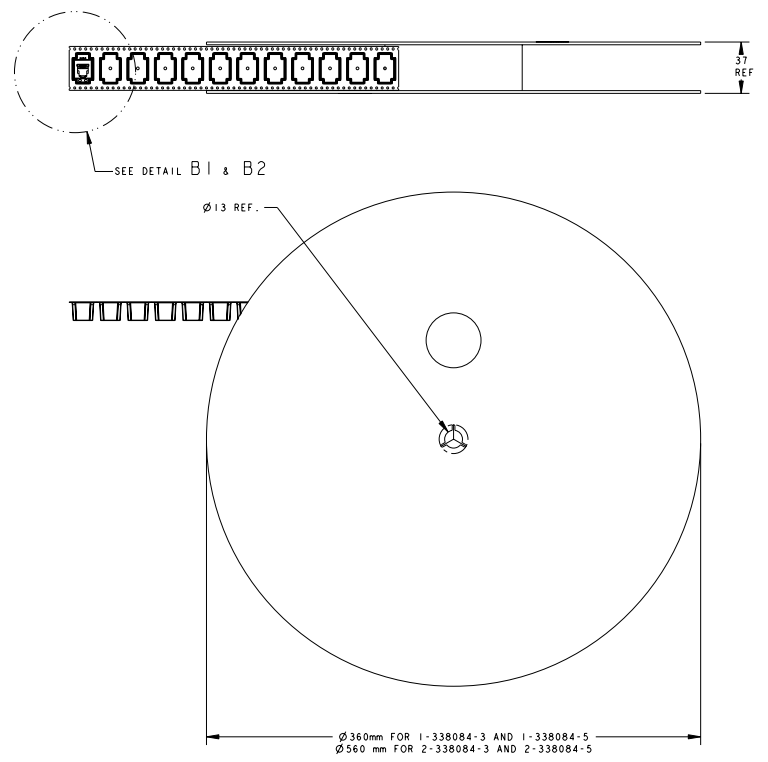
REVISONS		DATE	BY	APPROV
P	LYA			
- SEE SHEET 1		-	-	-



DETAIL B1
SCALE 4:1



DETAIL B2
SCALE 4:1



Ø360mm FOR 1-338084-3 AND 1-338084-5
 Ø560 mm FOR 2-338084-3 AND 2-338084-5

THIS DRAWING IS A CONTROLLED DOCUMENT.		DATE: 30-Sep-96	TE Connectivity	
DRAWN BY: E. ELJK		DATE: DEC. '96	TE CONNECTIVITY	
CHECKED BY: E. STILLINGA		PRODUCT SPEC: 8-SMELTS	NAME: INVERTIBLE MODULAR JACK, 4 POSITION	
DIMENSIONS: mm		APPLICATION SPEC: 108-19117	HANDSET	
MATERIAL: -		WEIGHT: 1.92 gr	FOR SURFACE MOUNT APPLICATION	
FINISH: -		CUSTOMER DRAWING	SCALE: 5:1	SHEET 2 OF 2