

4

3

2

1

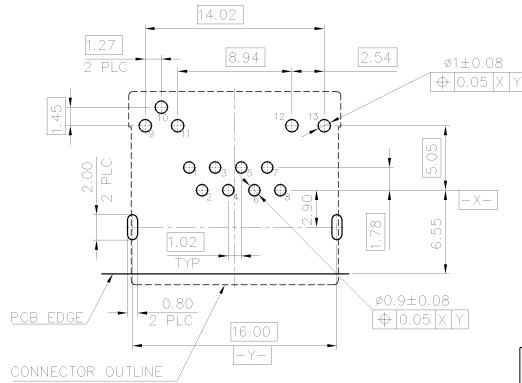
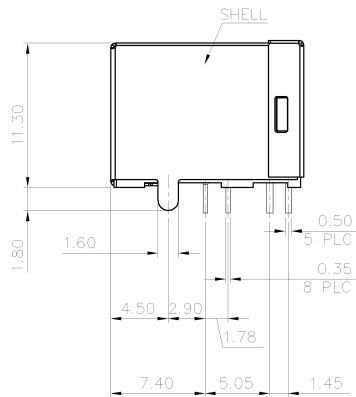
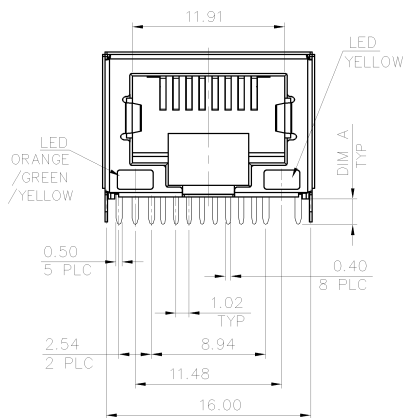
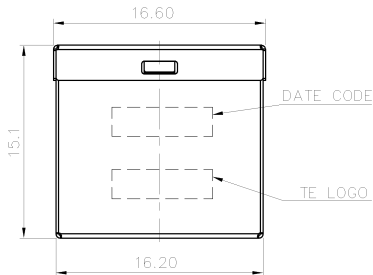
THIS DRAWING IS UNPUBLISHED. RELEASED FOR PUBLICATION  
 © COPYRIGHT - BY TYCO ELECTRONICS CORPORATION. ALL RIGHTS RESERVED.

LOC	DIST	REVISIONS			
P	LTR	DESCRIPTION	DATE	DWN	APVD
B1		REVISED (ECR-11-010707)	23MAY11	JL	WK

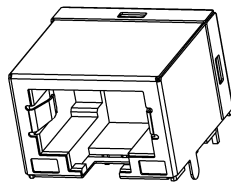
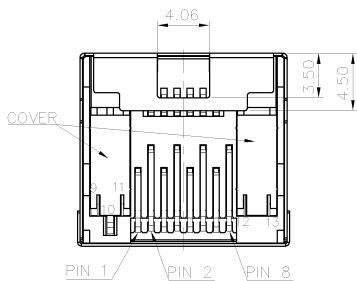
NOTE:

- MATERIAL:  
HOUSING: PA9T WITH 33% GF, UL 94V-0, BLACK COLOR.  
COVER: PA9T WITH 33% GF, UL 94V-0, BLACK COLOR.  
CONTACTS: PHOSPHOR BRONZE.  
SHELL: BRASS.  
LED LEADS: BRASS.
- FINISH:  
CONTACTS: (SEE TABLE) GOLD PLATED ON CONTACT AREA, 2.03µm [80µ"] MIN.  
MATTE-TIN ON SOLDER TAIL, WITH ENTIRE CONTACT UNDERPLATED  
1.27µm [50µ"] MIN. NICKEL.  
SHELL: 1.27µm [50µ"] MIN. NICKEL PLATED.  
LED LEADS: 1.27µm [50µ"] MIN. SILVER PLATED.
- REFLOW SOLDER CAPABLE TO 260°C PER TE TEST SPEC. 109-201, CONDITION B.

LED ELECTRICAL CHARACTERISTIC		
NODE	COLOR	
9(-) 10(+)	ORANGE	
11(-) 10(+)	GREEN	
9(-)	GREEN	
11(-) 10(+)	YELLOW	
12(+)	13(-)	YELLOW



2.00	0.762µm [30µ"]	1775553-3
	0.381µm [15µ"]	1775553-2
	GOLD FLASH	1775553-1
DIM A	MIN. GOLD THICKNESS	PART NUMBER



DIMENSIONS:		TOLERANCES UNLESS OTHERWISE SPECIFIED:		DRAWN		NAME	
MM							
	0 PLC	± 0.5		DWN	A. WU	24MAR2008	
	1 PLC	± 0.38		CHK	S. HOU	24MAR2008	
	2 PLC	± 0.25		APVD	W. KODAMA	24MAR2008	
	3 PLC	± 0.1		PRODUCT SPEC			
	4 PLC	± -		108-57660			
	ANGLES	± 3°		QUALIFICATION TEST REPORT			
				501-57765			
MATERIAL	FINISH	SEE NOTE	SEE NOTE	WEIGHT	3.96 GRAMS	SIZE	CAGE CODE
						A3	00779
				CUSTOMER DRAWING		DRAWING NO	©-1775553
						RESTRICTED TO	
						SCALE	SHEET
							1 of 3
							REV B1

4

3

2

1

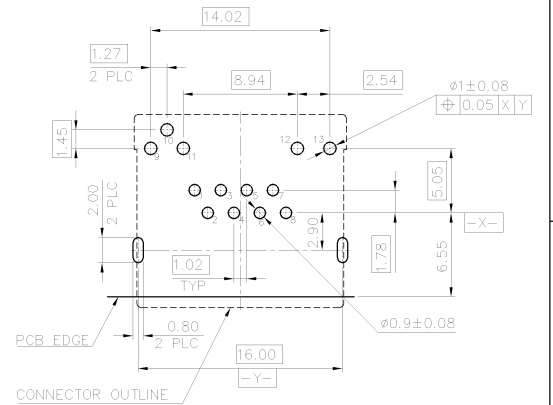
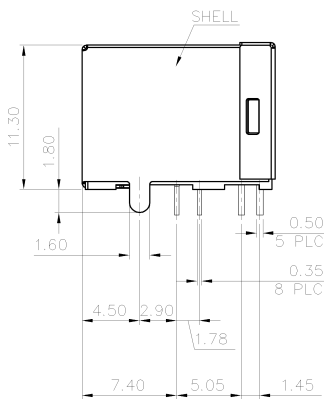
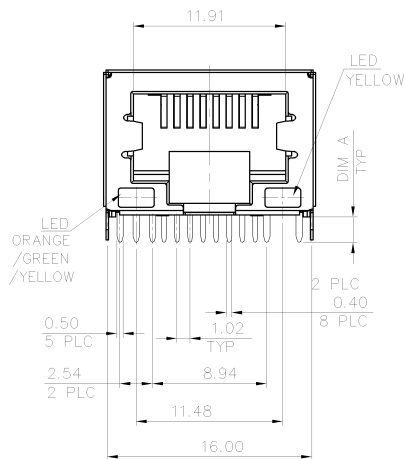
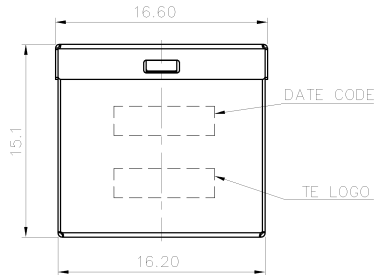
THIS DRAWING IS UNPUBLISHED. RELEASED FOR PUBLICATION  
 BY TYCO ELECTRONICS CORPORATION. ALL RIGHTS RESERVED.

LOC	DIST	REVISIONS			
P	LTR	DESCRIPTION	DATE	DWN	APVD
DW	-	SEE SHEET 1			

NOTE:

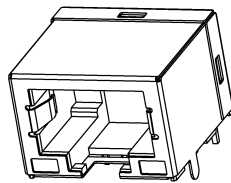
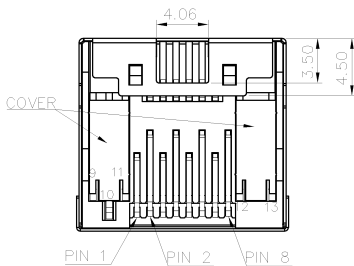
- MATERIAL:**  
 HOUSING: PA9T WITH 33% GF, UL 94V-0, BLACK COLOR.  
 COVER: PA9T WITH 33% GF, UL 94V-0, BLACK COLOR.  
 CONTACTS: PHOSPHOR BRONZE.  
 SHELL: BRASS.  
 LED LEADS: BRASS.
- FINISH:**  
 CONTACTS: (SEE TABLE) GOLD PLATED ON CONTACT AREA, 2.03µm [80µ"] MIN.  
 MATTE-TIN ON SOLDER TAIL, WITH ENTIRE CONTACT UNDERPLATED  
 1.27µm [50µ"] MIN. NICKEL.  
 SHELL: 1.27µm [50µ"] MIN. NICKEL PLATED.  
 LED LEADS: 1.27µm [50µ"] MIN. SILVER PLATED.
- REFLOW SOLDER CAPABLE TO 260°C PER TE TEST SPEC. 109-201, CONDITION B.

LED ELECTRICAL CHARACTERISTIC		
NODE	COLOR	
9(-) 10(+)	ORANGE	
11(-) 10(+)	GREEN	
9(-) 10(+)	YELLOW	
12(+) 13(-)	YELLOW	



TOLERANCE: ±0.05, THICKNESS: 1.2  
 RECOMMENDED PCB LAYOUT  
 (TOP VIEW)

1.40	GOLD FLASH	1-1775553-1
DIM A	MIN. GOLD THICKNESS	PART NUMBER



THIS DRAWING IS A CONTROLLED DOCUMENT.		DWN A. WU 24MAR2008	<b>TE Connectivity</b>													
DIMENSIONS: MM		CHK S. HOU 24MAR2008														
TOLERANCES UNLESS OTHERWISE SPECIFIED:		APVD W. KODAMA 24MAR2008	NAME													
<table border="1"> <tr><td>0 PLC</td><td>± 0.5</td></tr> <tr><td>1 PLC</td><td>± 0.38</td></tr> <tr><td>2 PLC</td><td>± 0.25</td></tr> <tr><td>3 PLC</td><td>± 0.1</td></tr> <tr><td>4 PLC</td><td>± -</td></tr> <tr><td>ANGLES</td><td>± 3°</td></tr> </table>		0 PLC	± 0.5	1 PLC	± 0.38	2 PLC	± 0.25	3 PLC	± 0.1	4 PLC	± -	ANGLES	± 3°	PRODUCT SPEC		QUALIFICATION TEST REPORT
0 PLC	± 0.5															
1 PLC	± 0.38															
2 PLC	± 0.25															
3 PLC	± 0.1															
4 PLC	± -															
ANGLES	± 3°															
MATERIAL SEE NOTE		WEIGHT		RESTRICTED TO												
FINISH SEE NOTE		SIZE A3		CAGE CODE 00779												
		DRAWING NO C-1775553		SCALE -												
		CUSTOMER DRAWING		SHEET 2 of 3												
				REV B1												

4

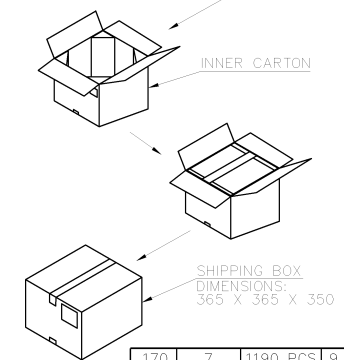
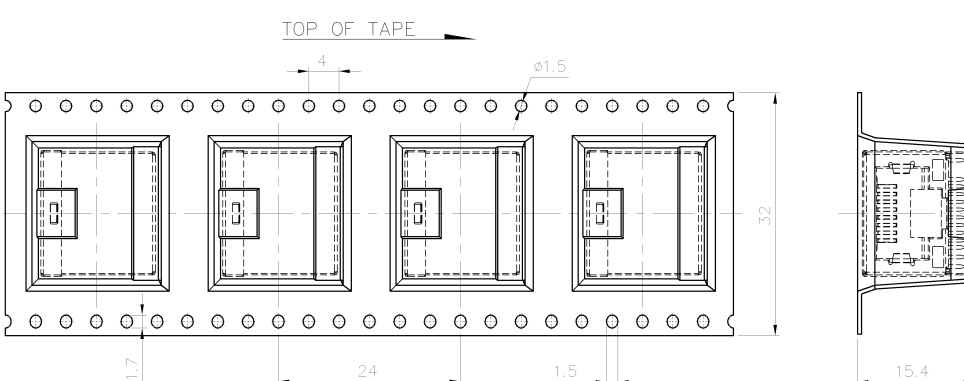
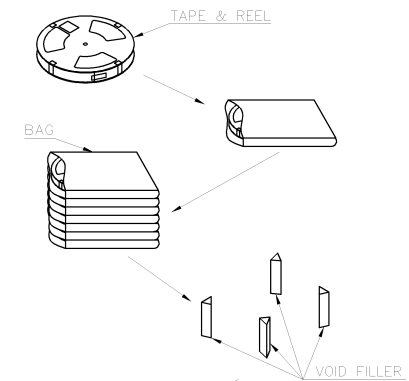
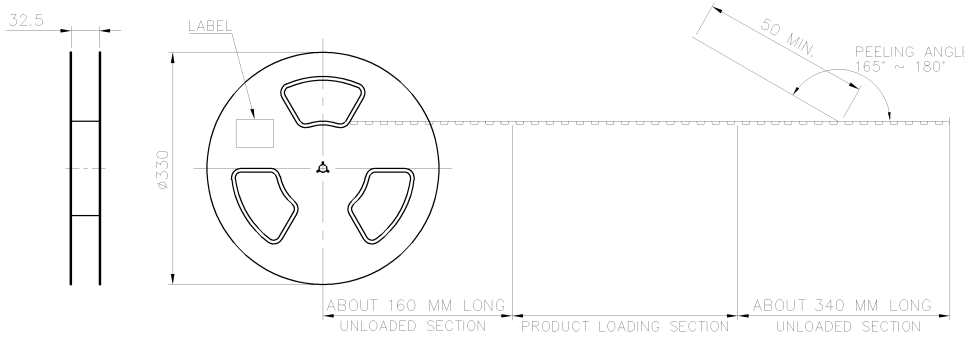
3

2

1

THIS DRAWING IS UNPUBLISHED. RELEASED FOR PUBLICATION  
 © COPYRIGHT - BY TYCO ELECTRONICS CORPORATION. ALL RIGHTS RESERVED.

LOC	DIST	REVISIONS					
DW	-	P	LTR	DESCRIPTION	DATE	DWN	APVD
		SEE SHEET 1.					



170	7	1190 PCS	9.3 KG	4.72 KG
PCS/TAPE	REELS/BOX	QUANTITY	GROSS WEIGHT	NET WEIGHT

NOTE:  
 1. PEELING STRENGTH: 0.1 ~ 1.3 N (10 ~ 130 GRAMS)  
 2. PEELING SPEED: 300 mm/min.

THIS DRAWING IS A CONTROLLED DOCUMENT.		DWN	A. WU	24MAR2008
DIMENSIONS: MM		CHK	S. HOU	24MAR2008
TOLERANCES UNLESS OTHERWISE SPECIFIED:		APVD	W. KODAMA	24MAR2008
0 PLC	± -	PRODUCT SPEC		
1 PLC	± -	APPLICATION SPEC		
2 PLC	± -	WEIGHT		
3 PLC	± -	CUSTOMER DRAWING		
4 PLC	± -	SCALE - SHEET 3 OF 3 REV B1		
MATERIAL	FINISH			

**STE** TE Connectivity

MODULAR JACK ASSEMBLY,  
 1X1, SHIELDED, LED, TAB DOWN

SIZE: A3 CAGE CODE: 00779 DRAWING NO: C-1775553 RESTRICTED TO: -