

4

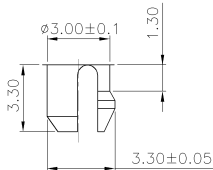
3

2

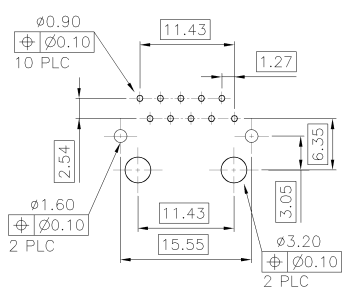
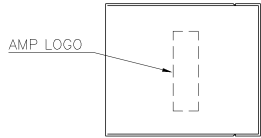
1

THIS DRAWING IS UNPUBLISHED. RELEASED FOR PUBLICATION
 © COPYRIGHT - BY - ALL RIGHTS RESERVED.

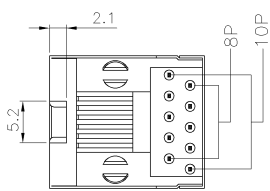
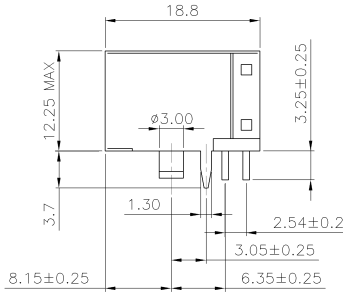
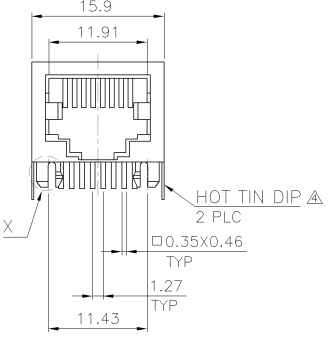
LOC	DIST	REVISIONS			
P	LTR	DESCRIPTION	DATE	DWN	APVD
B2		REVISED PER ECO-11-005301	6APR11	RK	HMR



DETAIL X



RECOMMENDED PCB LAYOUT (THICKNESS: 1.6mm)
 DIMENSION TOLERANCE: 1 PLC: ±0.1 2 PLC: ±0.05



- NOTE:
- MATERIAL:
 HOUSING: PA46 WITH 30% GF, UL 94V-0, BLACK COLOR.
 CONTACTS: PHOSPHOR BRONZE, 0.35X0.46 THICKNESS.
 SHIELD: BRASS, 0.25 THICKNESS.
 - FINISH:
 CONTACTS: (SEE TABLE) GOLD PLATED ON CONTACT AREA,
 GOLD FLASH ON SOLDER TAILS, WITH ENTIRE
 CONTACT UNDERPLATED 1.27µm [50µ"] MIN. NICKEL.
 SHIELD: 0.508µm [20µ"] MIN. NICKEL PLATED.
 - WAVE SOLDER CAPABLE TO 265°C PER **TE Connectivity**
 SPEC 109-202, CONDITION B.

- ⚠ PREPLATED HOT TIN DIP ON SHIELD'S LEGS.
- ⚠ OBSOLETE PARTS: OBSOLETE CIS STREAMLINING PER D.RENAUD/D.SINISI

PLC	HSG. COLOR	MIN. GOLD THICKNESS	PART NUMBER
10P8C	RED	50µ"	3-1734580-4
		30µ"	3-1734580-3
		15µ"	3-1734580-2
10P10C	BLACK	50µ"	1-1734580-4
		30µ"	1-1734580-3
		15µ"	1-1734580-2
10P8C	BLACK	50µ"	1734580-8
		30µ"	1734580-7
		15µ"	1734580-6
10P8C	BLACK	50µ"	1734580-4
		30µ"	1734580-3
		15µ"	1734580-2
RJ 45	HSG. COLOR	MIN. GOLD THICKNESS	PART NUMBER

THIS DRAWING IS A CONTROLLED DOCUMENT.		DWN O. HU 01JUN2007	TE Connectivity MODULAR JACK, RJ45, 8P8C, SHIELDED, SIDE ENTRY, LOW PROFILE	
DIMENSIONS: MM		CHK S. HOU 01JUN2007		
TOLERANCES UNLESS OTHERWISE SPECIFIED:		APVD W.J. KE 01JUN2007	NAME	
0 PLC ± 0.50 1 PLC ± 0.30 2 PLC ± 0.20 3 PLC ± 0.10 4 PLC ± - ANGLES ± °		PRODUCT SPEC 108-57535 QUALIFICATION TEST REPORT 501-57628		RESTRICTED TO
MATERIAL	FINISH	WEIGHT	SIZE	CAGE CODE
SEE NOTE	SEE NOTE	5.25 GRAMS	A3	00779
		DRAWING NO	DRAWING NO	
		C=1734580	C=1734580	
		CUSTOMER DRAWING	SCALE	SHEET
			-	1 of 2
				REV B2

4

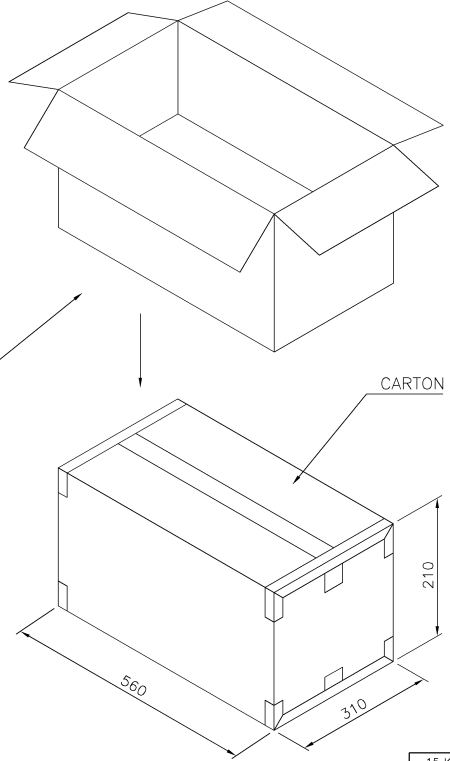
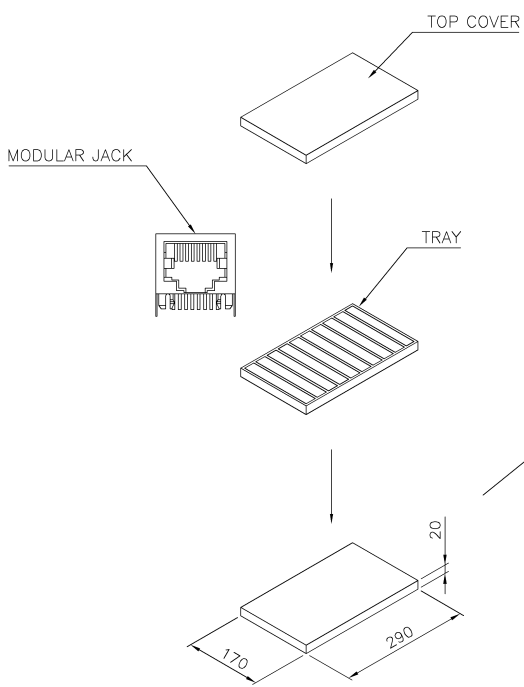
3

2

1

THIS DRAWING IS UNPUBLISHED. RELEASED FOR PUBLICATION
 © COPYRIGHT - BY - ALL RIGHTS RESERVED.

LOC	DIST	REVISIONS			
P	LTR	DESCRIPTION	DATE	DWN	APVD
DW	-	SEE SHEET 1.			



15 Kg	13.5 Kg	100	25	2500 PCS
GROSS WEIGHT	NET WEIGHT	PCS/TRAY	TRAYS /CARTON	QUANTITY

THIS DRAWING IS A CONTROLLED DOCUMENT.		DWN O. HU 01JUN2007		NAME																				
DIMENSIONS:		CHK S. HOU 01JUN2007		MODULAR JACK, RJ45, 8P8C, SHIELDED, SIDE ENTRY, LOW PROFILE																				
TOLERANCES UNLESS OTHERWISE SPECIFIED:		APVD W.J. KE 01JUN2007		PRODUCT SPEC																				
MM				APPLICATION SPEC																				
<table border="1"> <tr><td>0 PLC</td><td>±</td><td>-</td></tr> <tr><td>1 PLC</td><td>±</td><td>-</td></tr> <tr><td>2 PLC</td><td>±</td><td>-</td></tr> <tr><td>3 PLC</td><td>±</td><td>-</td></tr> <tr><td>4 PLC</td><td>±</td><td>-</td></tr> <tr><td>ANGLES</td><td>±</td><td>-</td></tr> </table>		0 PLC	±	-	1 PLC	±	-	2 PLC	±	-	3 PLC	±	-	4 PLC	±	-	ANGLES	±	-	WEIGHT	SIZE A3	CAGE CODE 00779	DRAWING NO C=1734580	RESTRICTED TO
0 PLC	±	-																						
1 PLC	±	-																						
2 PLC	±	-																						
3 PLC	±	-																						
4 PLC	±	-																						
ANGLES	±	-																						
MATERIAL		FINISH	CUSTOMER DRAWING		SCALE	SHEET 2 of 2	REV B2																	