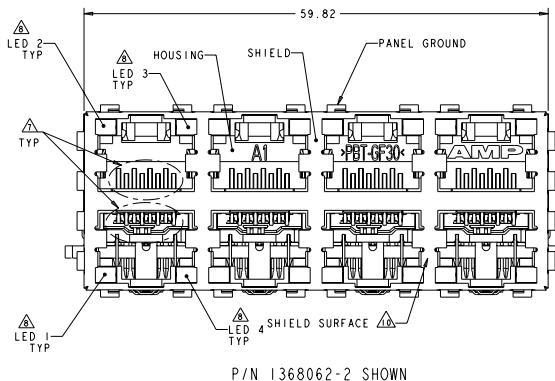
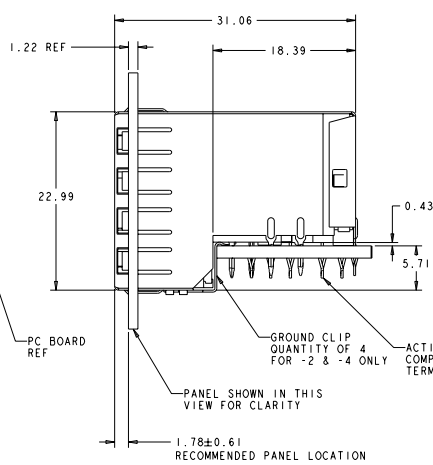


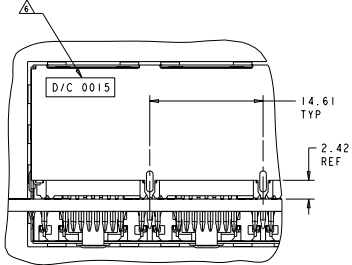
REV	DATE	DESCRIPTION	BY	CHK	APP
K	ECO-027808				
K1	REVISED PER ECO-10-000445				



P/N 1368062-2 SHOWN



- MATERIAL:**
HOUSING:
 PBT POLYESTER, BLACK, UL 94V-0.
TERMINALS:
 0.33 THICK PHOSPHOR BRONZE PLATED WITH 1.27µm MINIMUM THICK HARD GOLD IN LOCALIZED AREA AND 3.81µm MINIMUM THICK TIN LEAD IN ACTION PIN COMPLIANT PIN TERMINAL AREA OVER 1.27µm MINIMUM THICK NICKEL UNDERPLATE.
SHIELD:
 0.25 THICK COPPER ALLOY PLATED WITH 2.03µm MIN BRIGHT TIN OVER 1.27µm MINIMUM NICKEL.
LIGHT EMITTING DIODE (LED):
 DIFFUSED EPOXY LENS, 12.95 CARBON STL WIREFRAME LEADS PREPLATED WITH 8.89µm Sn/Cu OVER 2.03µm THICK Ag OVER 1.02µm THICK Cu OVER 3.56µm Ni OVER 1.02µm THICK Cu UNDERPLATE.
LED ACTION PIN - COMPLIANT PIN CONTACTS:
 0.3 THICK BRASS PLATED WITH 2.4µm BRIGHT TIN.
- JACK CAVITY CONFORMS TO FCC RULES AND REGULATIONS, PART 68 SUBPART F.
 - ALL DIMENSIONS ARE NOMINAL UNLESS OTHERWISE SPECIFIED.
 - DRILLED HOLE DIA = 1.02±0.025.
 COPPER THICKNESS = 0.025±0.075.
 TIN LEAD THICKNESS = 0.008 MIN.
 - DATUMS AND BASIC DIMENSIONS ESTABLISHED BY CUSTOMER.
 - DATE CODE LOCATED ON REAR OF PART APPROXIMATELY AS SHOWN.
 - CONTACTS ARE NOT INTENDED TO BE ALIGNED WITH EACH OTHER.
 - SUGGESTED OPERATING CURRENT FOR LEDES IS 20 mA.
 - TWO LEDES PER PORT, SIZE .079 X .118, SEE TABLE FOR COLOR CLEAR 0.838 MIN THICK SURFACE PROTECTION TAPE APPLIED TO SHIELD SURFACE. FILM DOES NOT HAVE CUTOUTS IN EACH PORT. REMOVE TAPE PRIOR TO MATING A MODULAR PLUG TO THE JACK.
- MATERIAL:**
SHIELD:
 0.25 THICK COPPER ALLOY PLATED WITH 1.27µm MINIMUM SATIN NICKEL
- OBSOLETE PARTS:** OBSOLETE CIS STREAMLINING PER D.RENAUD/D.SINISI



PARTIAL BACK VIEW

OBSOLETE	REMARKS	LED #4 (LOWER-RIGHT)	LED #3 (UPPER-RIGHT)	LED #2 (UPPER-LEFT)	LED #1 (LOWER-LEFT)	DESCRIPTION	PART NUMBER
△		YELLOW	YELLOW	GREEN	GREEN	WITHOUT GROUND CLIP	1368062-6
△	△	GREEN	GREEN	GREEN	GREEN	WITH GROUND CLIP	1368062-5
△	-	GREEN/YELLOW	GREEN/YELLOW	GREEN/YELLOW	GREEN/YELLOW	WITH GROUND CLIP	1368062-4
△	-	YELLOW	YELLOW	GREEN	GREEN	WITHOUT GROUND CLIP	1368062-3
△	-	GREEN	GREEN	GREEN	GREEN	WITH GROUND CLIP	1368062-2
△	-	GREEN	GREEN	GREEN	GREEN	WITHOUT GROUND CLIP	1368062-1

DATE: 11/11/08	BY: J. LAUER	CHK: J. LAUER	APP: J. LAUER
DATE: 11/11/08	BY: J. LAUER	CHK: J. LAUER	APP: J. LAUER
DATE: 11/11/08	BY: J. LAUER	CHK: J. LAUER	APP: J. LAUER
DATE: 11/11/08	BY: J. LAUER	CHK: J. LAUER	APP: J. LAUER

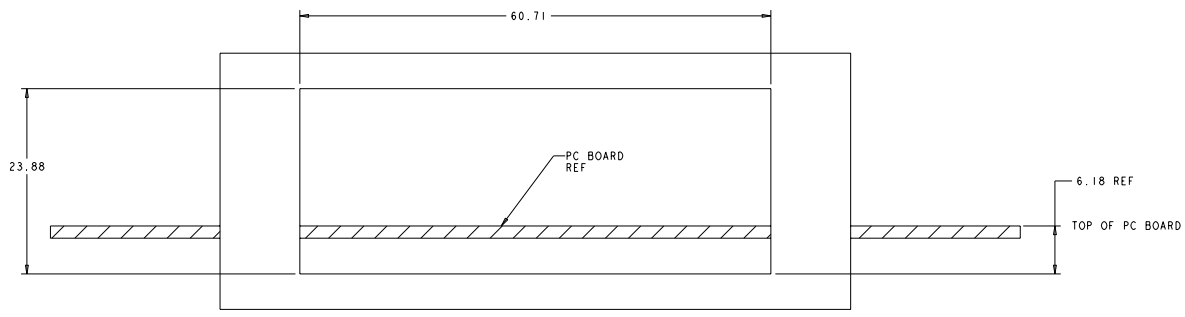
Stacked Modular Jack Assembly, 2x4 Offset, With Leads, 8 POSN, RJ45 Shielded, Panel Grounds, Cat 5

DATE: 11/11/08 BY: J. LAUER CHK: J. LAUER APP: J. LAUER

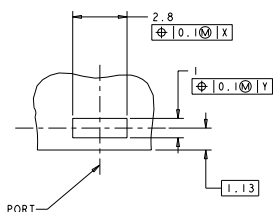
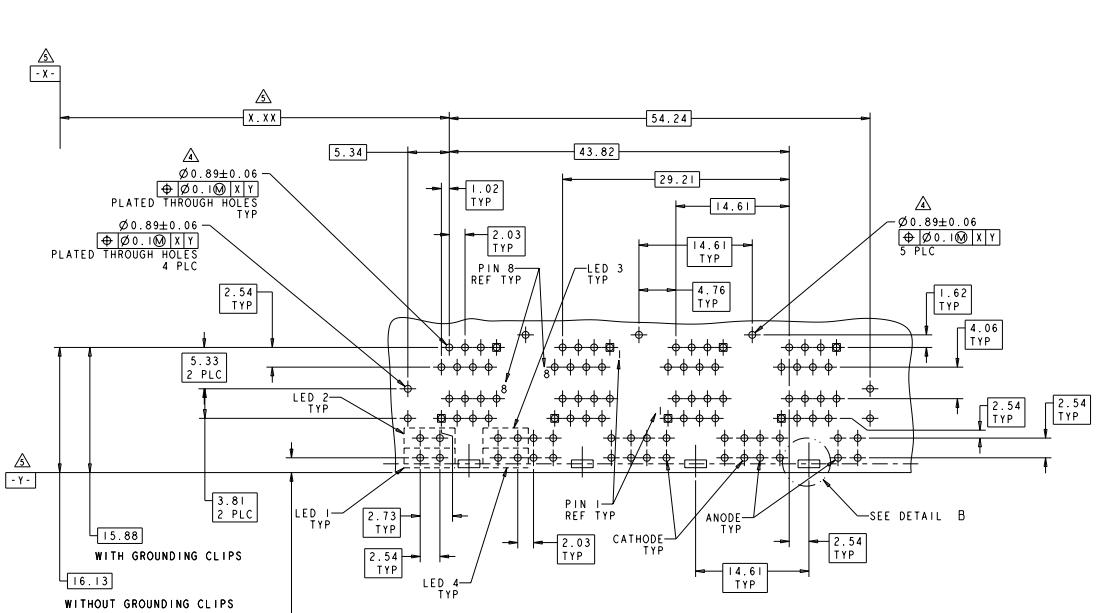
DATE: 11/11/08 BY: J. LAUER CHK: J. LAUER APP: J. LAUER

DATE: 11/11/08 BY: J. LAUER CHK: J. LAUER APP: J. LAUER

REV	DATE	REVISIONS
AA	00	SEE SHEET 1



RECOMMENDED PANEL CUT-OUT



DETAIL B
 PLATED PADS REQUIRED FOR 1368062-2 & -4
 (PRODUCT WITH GROUNDING CLIPS)
 SCALE 10:1
 4 PLACES

PARTS WITH GROUNDING CLIPS : 1.65
 PARTS WITHOUT GROUNDING CLIPS : 1.91

PC BOARD LAYOUT
 (COMPONENT SIDE)

DATE	REV	BY	CHKD	APP'D	DESCRIPTION

DATE	REV	BY	CHKD	APP'D	DESCRIPTION