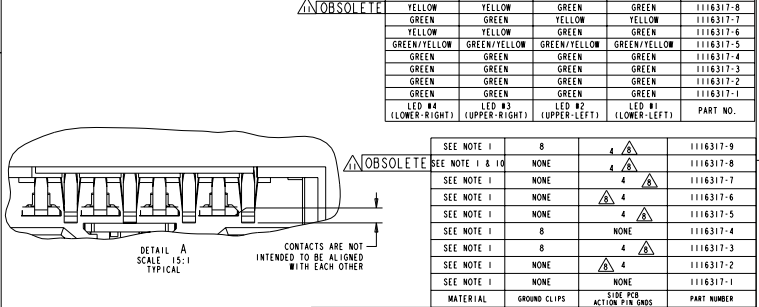
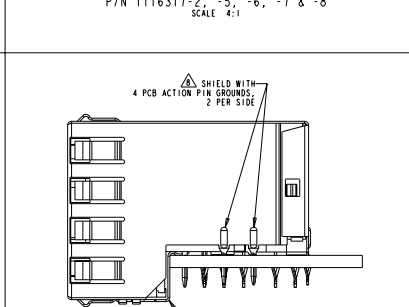
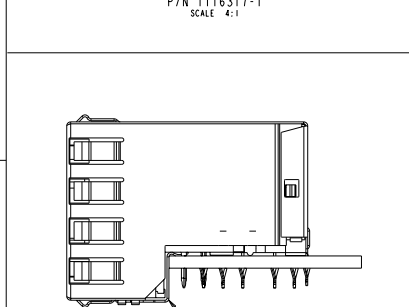
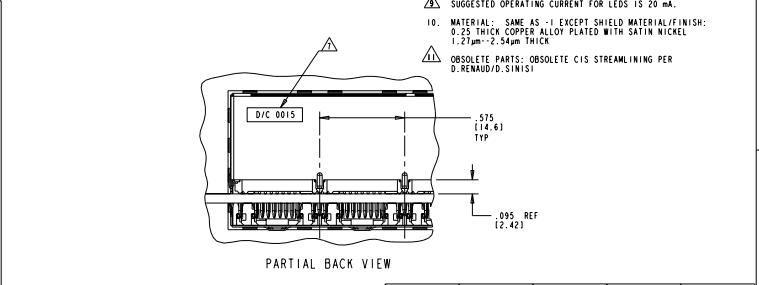
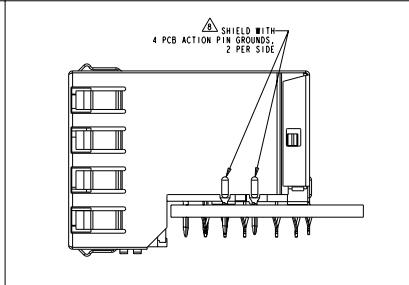
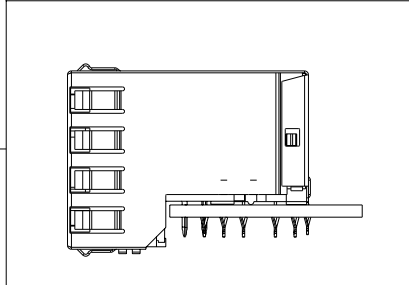


REV	DATE	DESCRIPTION	BY	CHK	APP
AA	22				
L	EC0511-0050-05		EDWARDS	LAN	JW
M	REV PER ECO-05-015480		THORNTON	RG	MY
N	REV PER ECO-05-020500		THORNTON	RG	JW
NI	REVISED PER ECO-10-000445		EDWARDS	KA	MMB

- MATERIAL: HOUSING - PBT POLYESTER, BLACK, UL 94V-0. TERMINALS - 0.33 THICK PHOS BRONZE PLATED WITH 1.27µm MINIMUM THICK HARD GOLD IN LOCALIZED AREA AND 3.81µm MINIMUM THICK TIN-LEAD IN ACTION PIN COMPLIANT PIN TERMINAL AREA OVER 1.27µm MINIMUM THICK NICKEL UNDERPLATE. SHIELD - 0.25 THICK COPPER ALLOY PLATED WITH 2.03µm MIN. BRIGHT TIN OVER 1.27µm MINIMUM NICKEL. LIGHT EMITTING DIODE (LED) - DIFFUSED EPOXY LENS, 12.95 CARBON STEEL WIREFRAME LEADSPREPLATED WITH 8.89µm MIN. TIN COPPER OVER 2.03µm MIN. THK. SILVER OVER 1.02µm MIN. THK. COPPER OVER 3.54µm MIN. THK. NICKEL OVER 1.02µm MIN. THK. COPPER UNDERPLATE. LED ACTION PIN - COMPLIANT PIN CONTACTS 0.3 THICK BRASS PLATED WITH 2.4µm BRIGHT TIN.
  - JACK CAVITY CONFORMS TO FCC RULES AND REGULATIONS, PART 68 SUBPART F.
  - ALL DIMENSIONS ARE NOMINAL UNLESS OTHERWISE SPECIFIED.
  - TWO LEADS PER PORT, SIZE .079 x .118, SEE TABLE.
- ⚠ DRILLED HOLE DIA : 0.048±.001. COPPER THICKNESS : .001-.003. TIN-LEAD THICKNESS : .0003 MIN.
- ⚠ DATUMS AND BASIC DIMENSIONS ESTABLISHED BY CUSTOMER.
- ⚠ DATE CODE LOCATED ON REAR OF PART APPROXIMATELY AS SHOWN.
- ⚠ THESE FOUR SIDE PCB ACTION PIN GROUNDS AND CORRESPONDING PCB HOLES ARE REQUIRED ONLY ON 1116317-2, 1116317-3, 1116317-5, 1116317-6, 1116317-7, 1116317-8 & 1116317-9.
- ⚠ SUGGESTED OPERATING CURRENT FOR LEADS IS 20 mA.
10. MATERIAL - SAME AS -1 EXCEPT SHIELD MATERIAL FINISH: 0.25 THICK COPPER ALLOY PLATED WITH SATIN NICKEL.
- ⚠ OBSOLETE PARTS: OBSOLETE CIS STREAMLINING PER D.RENAUD/D.SINIST



REV	DATE	DESCRIPTION	BY	CHK	APP
1	08/11/05				

Stacked Modular Jack Assembly, 2x8 with LEDs, 8 Position, Shielded Panel Ground, Optset, Cat 5

1116317-1

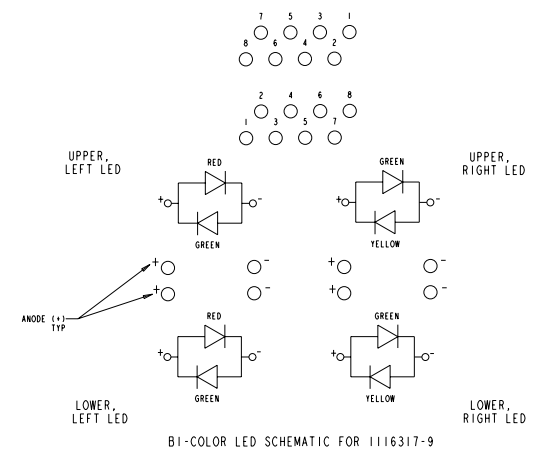
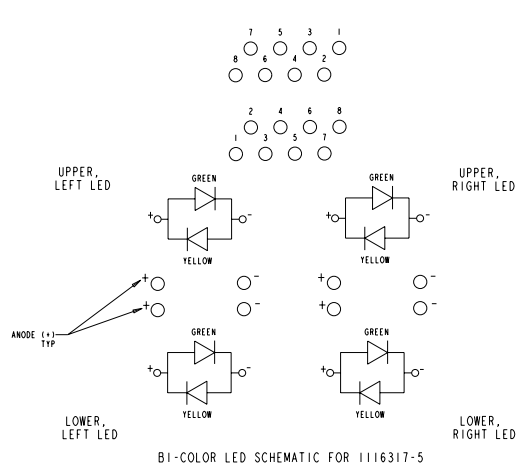
00779

1116317

SCALE 3:1



REV	DATE	REVISIONS	BY	CHK	APP
AA	22	SEE SHEET 1			



DATE	18 JUN 95	REV	18 JUN 95	DESIGNED BY	18 JUN 95	DRW	18 JUN 95	CHK	18 JUN 95	APP	18 JUN 95
INCHES (mm)		ASSEMBLY		DATE		BY		CHK		APP	
SCALE		REV		DATE		BY		CHK		APP	
WEIGHT	17.2 grams	REV		DATE		BY		CHK		APP	
CUSTOMER DRAWING		REV		DATE		BY		CHK		APP	

Stacked Modular Jack Assembly, 2x8 with LEDs, 8 Position, Shielded Panel Ground, Offset, Cat 5