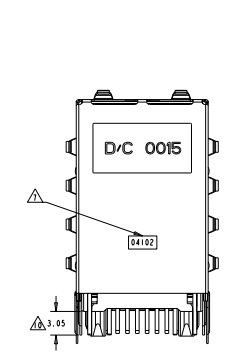
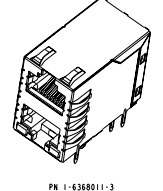
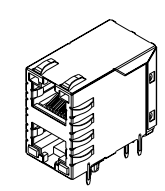
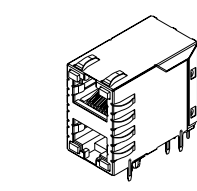
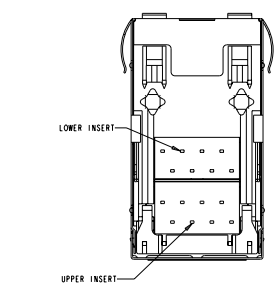
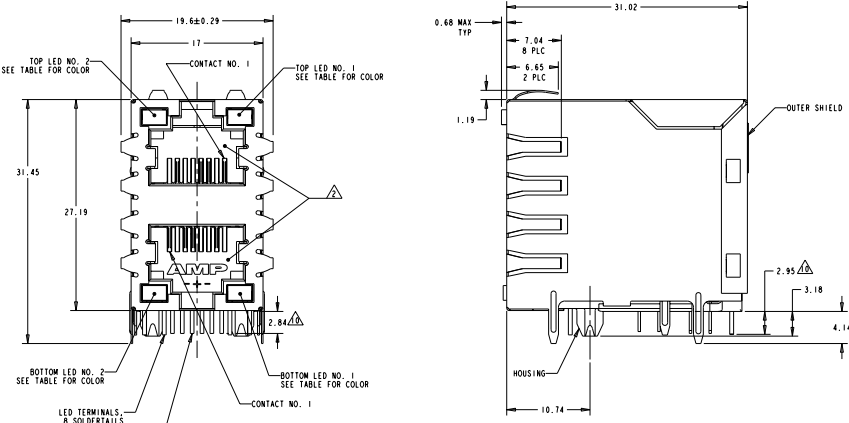


THIS DRAWING IS A CONTROLLED DOCUMENT
 6368011



- MATERIAL: HOUSING - PBT POLYESTER, BLACK, UL 94V-0.
 TERMINALS - 0.33 THICK PHOSPHOR BRONZE PLATED WITH 1.27um MINIMUM THICK HARD GOLD IN LOCALIZED MATING INTERFACE AND 3.81um MINIMUM THICK MATTE TIN IN SOLDER AREA OVER 1.27um MINIMUM THICK NICKEL UNDERPLATE.
 SHIELD - 0.198 THICK COPPER ALLOY PLATED WITH 1.27 um 1.0000503 MINIMUM THICK NICKEL AND 2.03 um 1.0000801 MINIMUM HOT TIN DIP ON PCB GROUND TABS.
 LIGHT EMITTING DIODE (LED) - DIFFUSED EPOXY LENS, 0.51 X 0.51 CARBON STEEL WIREFRAME LEADS PREPLATED WITH 0.08 um THICK Sn/Cu OVER 2.03 um THICK Ag OVER 1.02 THICK Cu OVER 3.56 um THICK Ni OVER 1.02 um Cu UNDERPLATE
- JACK CAVITY CONFORMS TO FCC RULES AND REGULATIONS, PART 68 SUBPART F.
- SUGGESTED OPERATING CURRENT FOR THE LED IS 20mA. GREEN/ORANGE BI-COLOR LEDS ON 6368011-4 AND 1-6368011-0 WILL EMIT GREEN LIGHT ON FORWARD BIAS CURRENT AND ORANGE LIGHT ON REVERSE BIAS CURRENT. GREEN/RED BI-COLOR LEDS ON 6368011-9 AND 1-6368011-0 WILL EMIT GREEN LIGHT ON FORWARD BIAS CURRENT AND RED LIGHT ON REVERSE BIAS CURRENT. GREEN/YEL BI-COLOR LEDS ON 1-6368011-1 WILL EMIT GREEN LIGHT ON FORWARD BIAS CURRENT AND YELLOW LIGHT ON REVERSE BIAS CURRENT.
- THIS MODULAR JACK WITH INTEGRATED LED IS NOT IR REFLOW SOLDERING PROCESS COMPATIBLE.
- USE NO. 30 DRILL BIT OR 3.25mm DRILL BIT WHEN PRODUCING THESE PCB HOLES.
- M-15 LUBE APPLIED TO THE GOLD PLATED AREA OF THE TERMINALS ON 6368011-0 ONLY.
- DATE CODE LOCATED ON REAR OF PART APPROX AS SHOWN:
 FIRST 2 DIGITS ARE LAST 2 DIGITS OF YEAR.
 SECOND 2 DIGITS ARE MANUFACTURING WORK WEEK.
 LAST DIGIT IS DAY OF WEEK, WITH SUNDAY=1.
- THE PART NUMBER IS PRELIMINARY.
- OBsolete PARTS: OBSOLETE CIS STREAMLINING PER D. RENAUD/D. SIMISI
- GROUND PIN AND ALL SIGNAL PINS' LENGTH SHOULD BE 4.06 MM EXCEPT OUTER SHIELD THIS REQUEST IS ONLY FOR PART 1-6368011-4

3.44 MAX	GREEN	GREEN	GREEN	GREEN	1-6368011-5
4.14	GREEN	YELLOW	GREEN	YELLOW	1-6368011-4
4.14	GREEN	YELLOW	N/A	N/A	1-6368011-3
4.14	GREEN/YELLOW	GREEN/YELLOW	GREEN/YELLOW	GREEN/YELLOW	1-6368011-1
4.14	GREEN/ORANGE	GREEN/ORANGE	GREEN/RED	GREEN/RED	1-6368011-0
4.14	GREEN/RED	GREEN/RED	GREEN/RED	GREEN/RED	6368011-9
4.14	YELLOW	GREEN	YELLOW	GREEN	6368011-8
4.14	GREEN	ORANGE	N/A	N/A	6368011-7
4.14	GREEN	GREEN	YELLOW	GREEN	6368011-6
4.14	YELLOW	GREEN	YELLOW	GREEN	6368011-5
4.14	GREEN/ORANGE	GREEN/ORANGE	GREEN/ORANGE	GREEN/ORANGE	6368011-4
4.14	GREEN	YELLOW	GREEN	YELLOW	6368011-3
4.14	YELLOW	GREEN	GREEN	YELLOW	6368011-2
4.14	GREEN	GREEN	GREEN	GREEN	6368011-1
DIM A	BOTTOM LED NO. 2	BOTTOM LED NO. 1	TOP LED NO. 2	TOP LED NO. 1	PART NUMBER

OBsolete
 OBsolete

LOC AA DIST 22

PN 6368011-1, 2, 3, 4, 5, 6, 8 & 1-6368011-0, 1, 5 SCALE 2:1

PN 6368011-7 SAME AS 6368011-1 EXCEPT AS SHOWN WITHOUT TOP LED SCALE 2:1

PN 1-6368011-3 SAME AS 6368011-3 EXCEPT AS SHOWN WITHOUT TOP LED SCALE 2:1

REV PER ECR-11-025824 13MAY02 JJ AC

3APR2005 Vic Stock/L.A. MATER

3APR2005 J. WESTMAN

3APR2005 S. LICKINGER

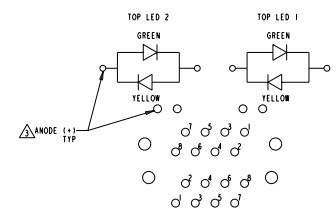
MODULAR JACK ASSEMBLY, STACKED, 2 X 8 POSITION, SHIELDED.

SCALE 1:1

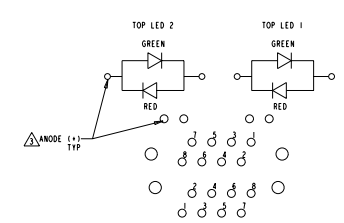
6368011

TE Connectivity

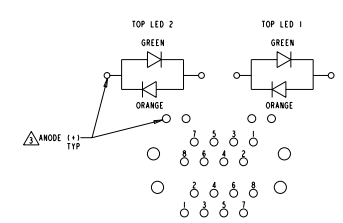
THIS DRAWING IS A CONTROLLED DOCUMENT
 6368011



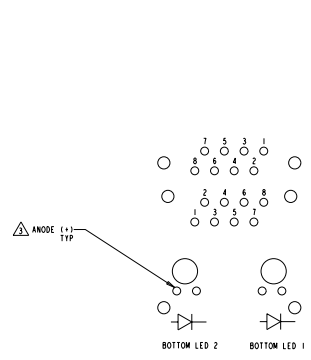
SCHEMATIC FOR 1-6368011-1
 SCALE 4:1



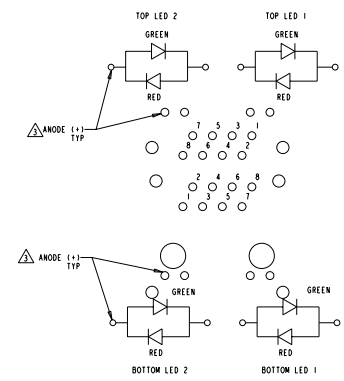
SCHEMATIC FOR 1-6368011-0
 SCALE 4:1



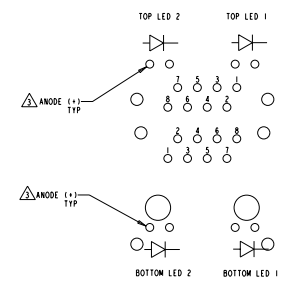
SCHEMATIC FOR 6368011-4
 SCALE 4:1



SCHEMATIC FOR 6368011-7, 1-6368011-3



SCHEMATIC FOR 6368011-9
 SCALE 4:1

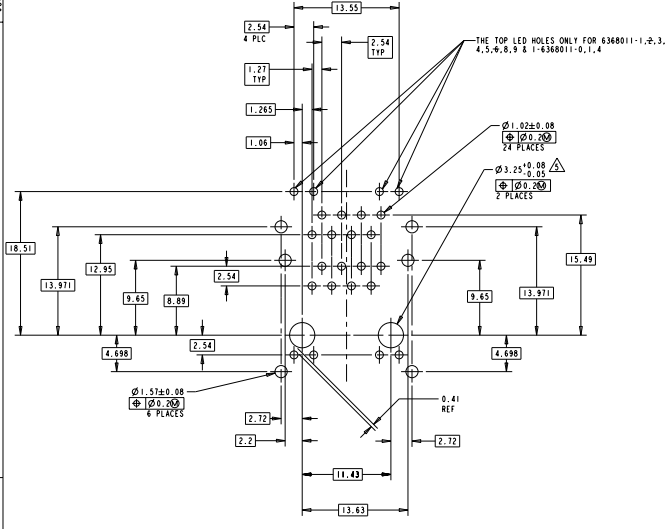


SCHEMATIC FOR 6368011-1, -2, -3, -5, -6, -8, 14
 SCALE 4:1

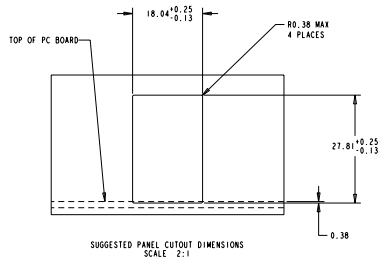
THIS DRAWING IS A CONTROLLED DOCUMENT
 6368011

LOC
 AA
 DIST
 22

REV	DATE	BY	CHKD	APPV	DESCRIPTION
1					
2					
3					
4					
5					
6					
7					
8					
9					
10					
11					
12					
13					
14					
15					
16					
17					
18					
19					
20					
21					
22					
23					
24					
25					
26					
27					
28					
29					
30					
31					
32					
33					
34					
35					
36					
37					
38					
39					
40					
41					
42					
43					
44					
45					
46					
47					
48					
49					
50					
51					
52					
53					
54					
55					
56					
57					
58					
59					
60					
61					
62					
63					
64					
65					
66					
67					
68					
69					
70					
71					
72					
73					
74					
75					
76					
77					
78					
79					
80					
81					
82					
83					
84					
85					
86					
87					
88					
89					
90					
91					
92					
93					
94					
95					
96					
97					
98					
99					
100					



PC BOARD LAYOUT VIEWED FROM COMPONENT SIDE OF BOARD
SCALE 4:1



SUGGESTED PANEL CUTOFF DIMENSIONS
SCALE 2:1

LOC
AA
DISH
22

REV	1	DATE	13APR2005	BY	J. WESTMAN	CHKD	S.F. LICKINGER	APPD	J. WESTMAN	QTY	1	REV	1	DATE	13APR2005	BY	J. WESTMAN	CHKD	S.F. LICKINGER	APPD	J. WESTMAN	QTY	1
DIMENSIONS UNIT: MILLIMETERS TOLERANCES HOLE: 0.13 PLC: 0.13 PC: 0.13 DRILL: 0.13 MOUNT: 0.13																							
DRAWN: J. WESTMAN CHECKED: S.F. LICKINGER DATE: 13APR2005 SCALE: 1:1 SHEET: 3 OF 3 REV: J																							

Vic Stock/L.A. MAYER
S.F. LICKINGER
TE Connectivity
STE
MODULAR JACK ASSEMBLY STACKED,
2 x 8 POSITION, SHIELDED.
6368011