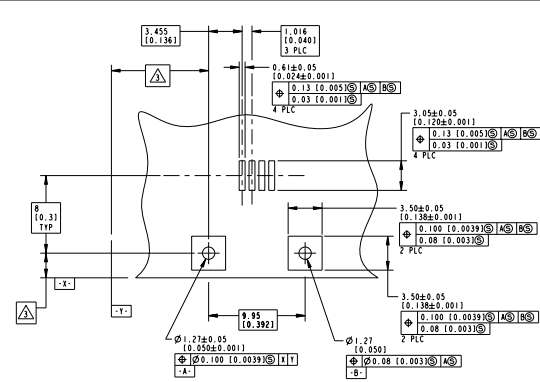
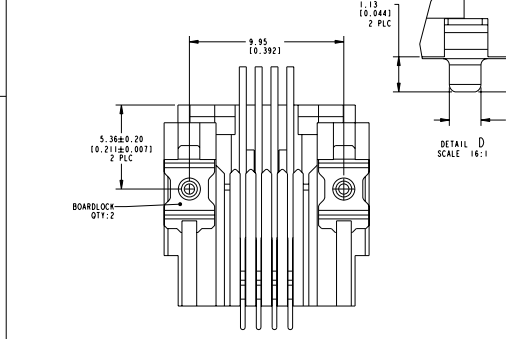
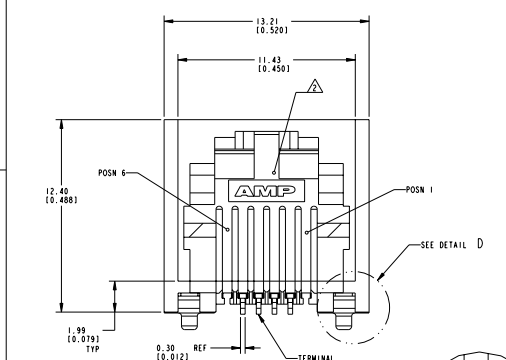
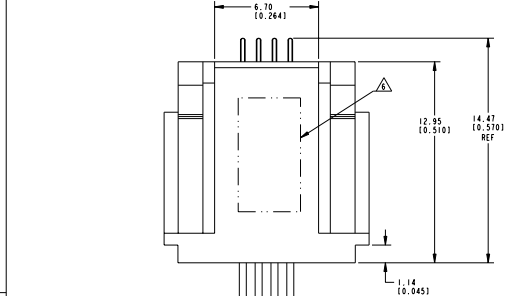
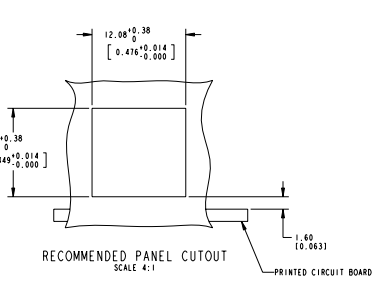
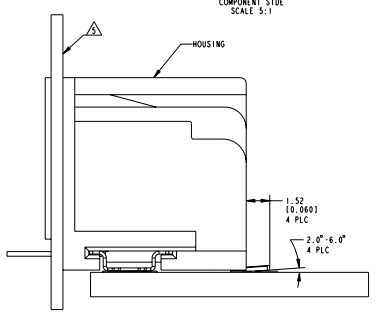


DATE: 08/14/88 BY: TFC/ELC/STP/STP REVISIONS FOR FABRICATION



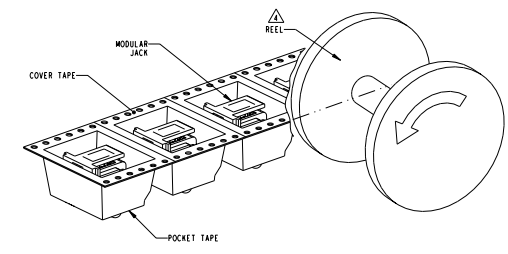
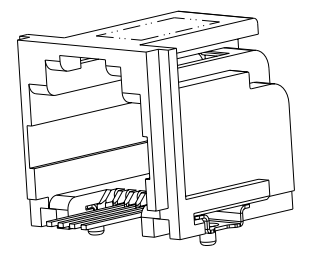
RECOMMENDED PRINTED CIRCUIT BOARD LAYOUT COMPONENT SIDE SCALE 2:1



RECOMMENDED PANEL CUTOUT SCALE 4:1

REV	DATE	REVISIONS	BY	CHK	APP
AA	22				
A	REV PER ECOS 1-0201-04		24-01-88	GA	SF
B	ECO-04-023366		06-03-88	LAN	JW
C	ECO-01-000095		17-04-87	LAN	JW
C1	ECR-08-013498		31-08-88	MEG	REV

- △ MATERIAL: HOUSING - HIGH TEMPERATURE THERMOPLASTIC, COLOR - PER PART NUMBER TABLE. TERMINALS - 0.31, 0.12 THICK COPPER ALLOY PLATED WITH (SEE TABLE) MINIMUM GOLD IN LOCALIZED GOLD PLATE AREA, 2.5 μm (0.0001) MINIMUM MATTE TIN ON TERMINATION END, BOTH OVER 1.27 μm (0.0005) MINIMUM NICKEL OVER ENTIRE TERMINAL. BOARDLOCK - PHOS-BRONZE, 1/2 HARD, 3.0 μm (0.0001) MINIMUM MATTE TIN OVER 1.27 μm (0.0005) MINIMUM NICKEL ON TERMINAL END.
- △ JACK CAVITY CONFORMS TO FCC 47 RULES AND REGULATIONS, PART 68 SUBPART F.
- △ DATUM ESTABLISHED BY CUSTOMER.
- △ PACKAGING TAPE AND REEL: (PER EIA 481 SPEC) 30mm WIDE TAPE 24mm POCKET PITCH 56mm REEL DIA 600 PIECES PER REEL
- △ CONNECTOR SHOULD BE POSITIONED THROUGH PANEL CUTOUT AS SHOWN TO SUPPORT TOP OF MODULAR JACK FOR STRAIN RELIEF
- △ MANUFACTURING DATE CODE LOCATED APPROXIMATELY AS SHOWN. FIRST 2 DIGITS ARE YEAR, SECOND 2 DIGITS ARE WORK WEEK, AND LAST DIGIT IS THE DAY OF THE WEEK



MIN GOLD THICKNESS	COLOR	PART NUMBER
0.76 μm (0.00030)	GREEN	I-5406545-4
0.76 μm (0.00030)	BLACK	I-5406545-3
0.76 μm (0.00030)	GRAY	I-5406545-1
1.27 μm (0.00050)	GREEN	5406545-4
1.27 μm (0.00050)	BLACK	5406545-3
1.27 μm (0.00050)	GRAY	5406545-1

TITLE: MODULAR JACK ASSEMBLY, 1 PORT, 6/4 POSN, SURFACE MOUNT, RIGHT ANGLE, WITH INWARD BOARDLOCKS PART NO: 5406545-1 REV: 1 DATE: 08/14/88 BY: TFC/ELC/STP/STP CHECKED: J. J. B.	DATE: 08/14/88 BY: TFC/ELC/STP/STP CHECKED: J. J. B.	TITLE: MODULAR JACK ASSEMBLY, 1 PORT, 6/4 POSN, SURFACE MOUNT, RIGHT ANGLE, WITH INWARD BOARDLOCKS PART NO: 5406545-1 REV: 1 DATE: 08/14/88 BY: TFC/ELC/STP/STP CHECKED: J. J. B.	TITLE: MODULAR JACK ASSEMBLY, 1 PORT, 6/4 POSN, SURFACE MOUNT, RIGHT ANGLE, WITH INWARD BOARDLOCKS PART NO: 5406545-1 REV: 1 DATE: 08/14/88 BY: TFC/ELC/STP/STP CHECKED: J. J. B.
--	--	--	--