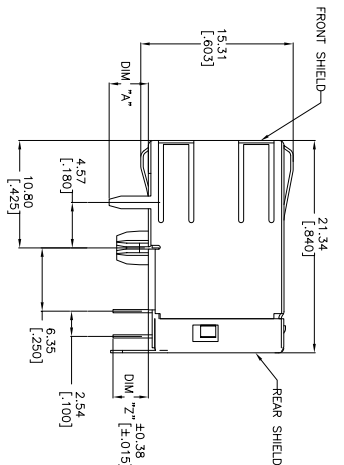
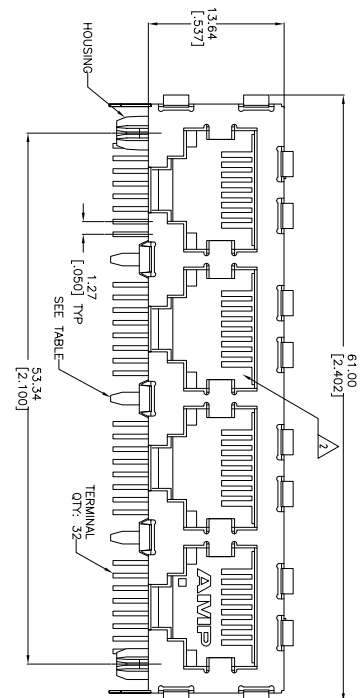


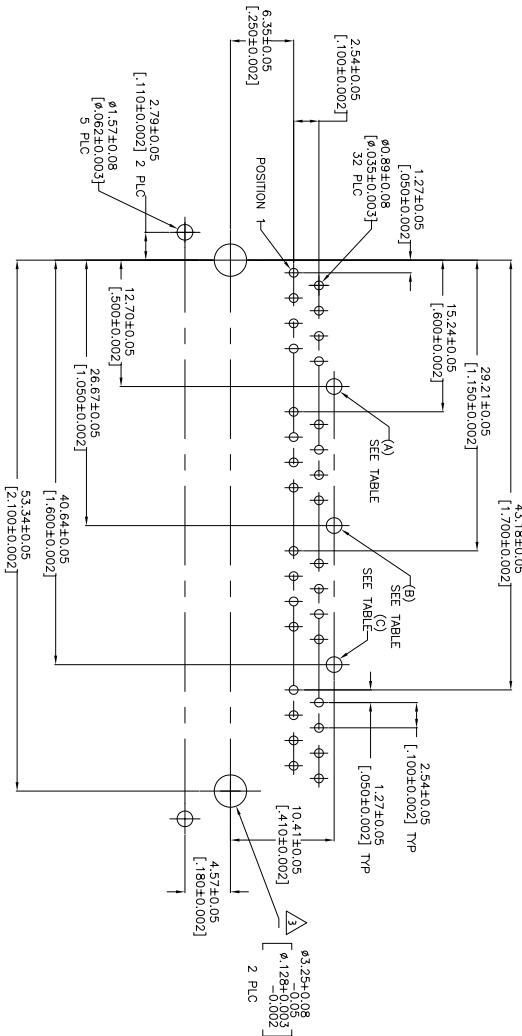
REV	DATE	BY	CHK	REVISIONS
AA	00			REVISIONS
K		REV FOR (200-0-42344)		22/07/2008 DZ SY



△ MATERIAL: HOUSING - NYLON, COLOR: BLACK, UL 94V-0.
 OVERMOLDED TERMINAL ARRAY - PART: BROWN.
 TERMINAL PITCH: 1.27mm (0.050").
 PATTERN WITH 1.27mm (0.050") MINIMUM HARD
 GOLD IN LOCALIZED AREA AND 3.81µm (0.00150")
 MINIMUM TIN-LEAD IN SOLDER AREA OVER 1.27mm
 [0.00050"] MINIMUM NICKEL UNDERPLATE.
 SHIELD - 0.254(0.010") THICK COPPER ALLOY PLATED
 WITH 1.27µm [0.00050"] MINIMUM NICKEL AND
 2.03µm [0.00080"] MINIMUM HOT TIN DIP ON PCB GROUND TABS.

△ JACK CAVITY CONFORMS TO FCC RULES AND REGULATIONS, PART 68 SUBPART F.

△ SAME AS NOTE 1 EXCEPT OVERMOLDED TERMINAL ARRAY - HTN, NATURAL



REV	DATE	BY	CHK	REVISIONS
△		2.54(1.00)		3.05(1.20)
△		3.56(1.40)		3.94(1.55)
△		3.56(1.40)		3.94(1.55)
△		3.95(1.55)		3.94(1.55)
△				3.94(1.55)

NO.	DESCRIPTION	QTY	UNIT
1	1-406203-2	NONE	
2	406203-3	NONE	
3	406203-2	NONE	
4	406203-1	NONE	