

4

3

2

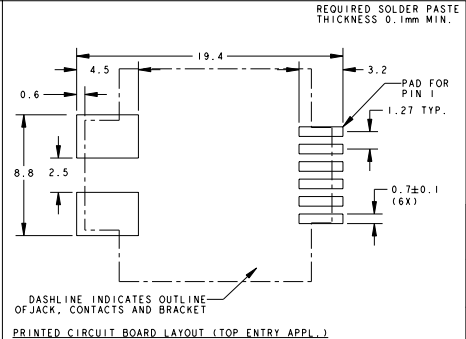
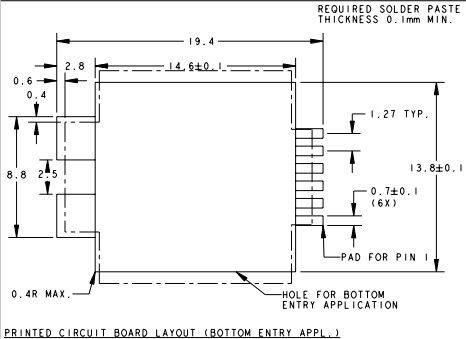
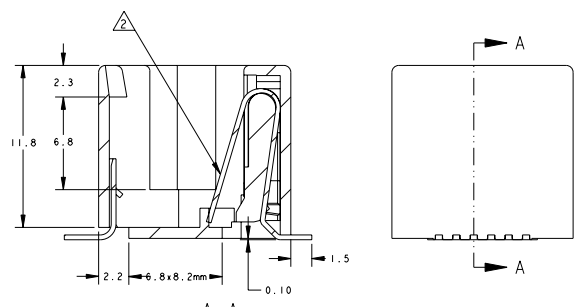
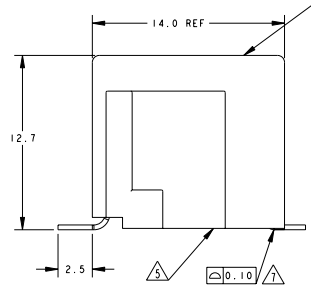
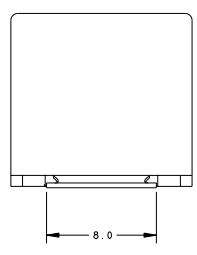
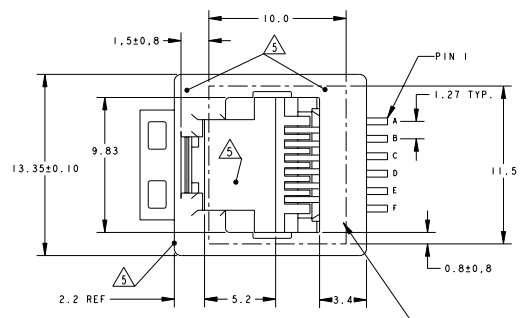
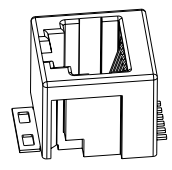
1

THIS DRAWING IS UNPUBLISHED. RELEASED FOR PUBLICATION. COPYRIGHT: TE CONNECTIVITY. ALL RIGHTS RESERVED.

REV	DATE	BY	CHKD	DESCRIPTION
W	ECR-10-020218			

NOTES:

- 1 TOLERANCES UNLESS OTHERWISE SPECIFIED: ±0.15.
- CONTACT PLATING: OVERALL: $\geq 1.27\mu\text{m}$ MIN. ALL OVER THE CONTACTS. SOLDER ZONE: $5\mu\text{m}$ - 3.5 - $5.0\mu\text{m}$ ON THE SOLDER ZONE OF THE CONTACT. MATING ZONE: PLATING CONFIRMS TO PRODUCT REQUIREMENTS AS PER SPECIFICATION 108-19117
- MATERIALS: HOUSING: 30% G.F. PA 9T, COLOR BLACK, UL 94V-0. CONTACTS: PHOSPHOR BRONZE. SOLDER BRACKET: TINPLATED BRASS WITH NICKEL UNDERPLATE.
- THIS JACK CAN ALSO BE APPLIED HANGING THROUGH A HOLE IN A PRINTED CIRCUIT BOARD. SEE LEFT PCB LAYOUT.
- SURFACE CAN BE USED FOR PICKING THE MODULAR JACK WITH TYPE 11 SMD MACHINE.
- ON 1-338086-4 AND 2-338086-4 ONLY CONTACTS B,C,D & E ARE INSTALLED.
- COPLANARITY MEASURED AT HEEL OF CONTACTS. COPLANARITY AT TIPS OF CONTACTS MAX. 0.18mm
- TAPE AND REEL PACKAGING ACCORDING TO EIA 481-3 SPECIFICATIONS.
- INCLUDES HAPTON TAPE (110x11.5mm) ON TOP SURFACE AS PICK AND PLACE FEATURE.
- OBsolete PARTS: OBSOLETE CIS STREAMLINING PER D. RENAUD/D.SINS!

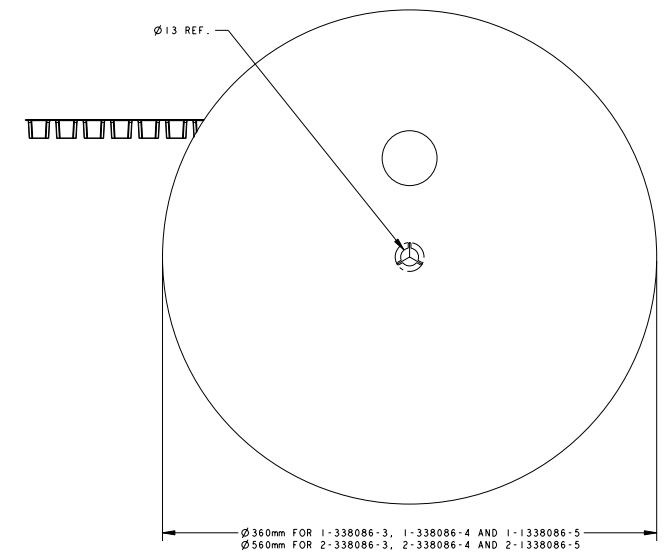
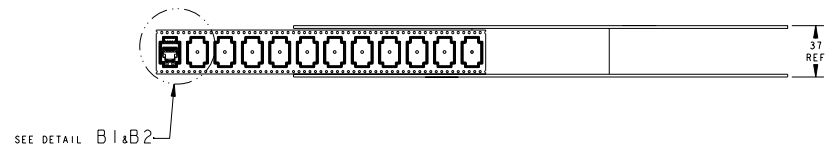
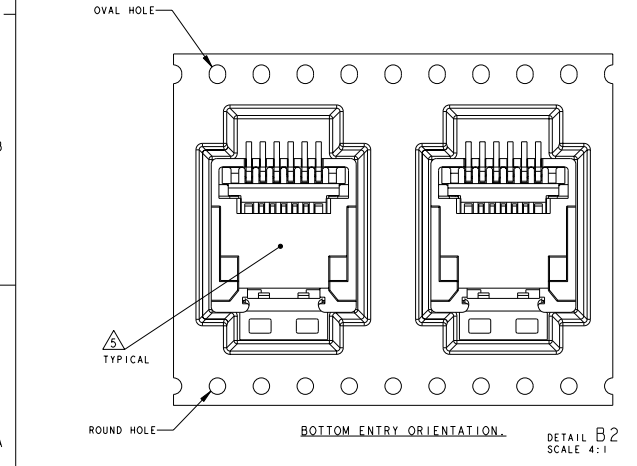
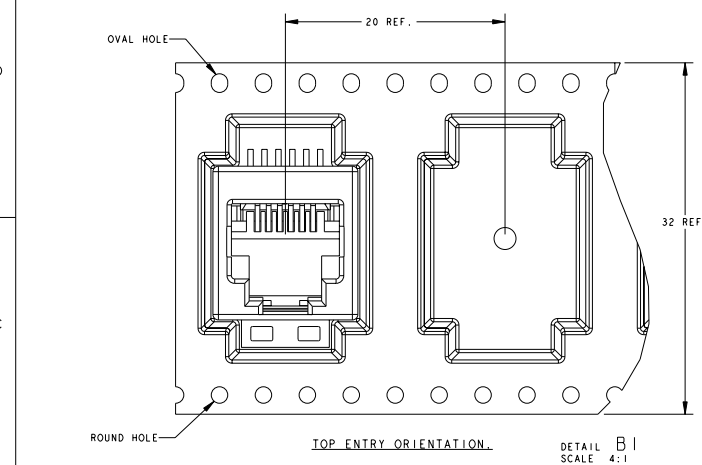


REMARKS	PACKAGING	PART NUMBER
OBsolete	6 POS./6 CONT.	750 PCS ON Ø56mm OD REEL. BOTTOM ENTRY ORIENTATION PER DETAIL B2
	6 POS./4 CONT.	750 PCS ON Ø56mm OD REEL. TOP ENTRY ORIENTATION PER DETAIL B1
	6 POS./6 CONT.	300 PCS ON Ø360mm OD REEL. BOTTOM ENTRY ORIENTATION PER DETAIL B1
	6 POS./6 CONT.	300 PCS ON Ø360mm OD REEL. BOTTOM ENTRY ORIENTATION PER DETAIL B2
	6 POS./4 CONT.	300 PCS ON Ø360mm OD REEL. TOP ENTRY ORIENTATION PER DETAIL B1
	6 POS./6 CONT.	300 PCS ON Ø360mm OD REEL. TOP ENTRY ORIENTATION PER DETAIL B1

THIS DRAWING IS A CONTROLLED DOCUMENT.		DATE: 22-Nov-96	TE Connectivity	
DRAWN BY: E. SILLINGA		DEC-96	INVERTIBLE MODULAR JACK ASSEMBLY FOR SURFACE MOUNT APPLICATION 6/6 AND 6/4 POSITION LINE	
DIMENSIONS: mm		PRODUCT SPEC: 108-19117	SIZE: A200779	
MATERIAL: SEE NOTE 3.		APPLICATION SPEC: 114-19041	SCALE: 5:1	
TOLERANCES UNLESS OTHERWISE SPECIFIED:		WEIGHT: -	SHEET 1 OF 2	
0 PLC ±		CUSTOMER DRAWING	REV W	
1 PLC ±				
2 PLC ±				
3 PLC ±				
4 PLC ±				
5 PLC ±				
ANGLES ±				
FINISH ±				

1471-9 (3/11)

REVISONS		DATE	DNW	APVS
P	LYA			
- SEE SHEET 1		-	-	-



THIS DRAWING IS A CONTROLLED DOCUMENT.		DNW	22-Nov-96
DIMENSIONS: mm		CD	E. J. IJIK
TOLERANCES UNLESS OTHERWISE SPECIFIED:		CD	E. SILLINGA
Ø	PLC	APPRO	B. SMETS
1	PLC	PRODUCT SPEC	108-19117
2	PLC	APPLICATION SPEC	114-19041
3	PLC	WEIGHT	-
4	PLC	CUSTOMER DRAWING	-
ANGLES		SIZE	A200779
FINISH		CAGE CODE	C-338086
		DRAWING NO	-
		RESTRICTED TO	-
		SCALE	5:1
		SHEET	2
		OF	2
		REV	W