

4

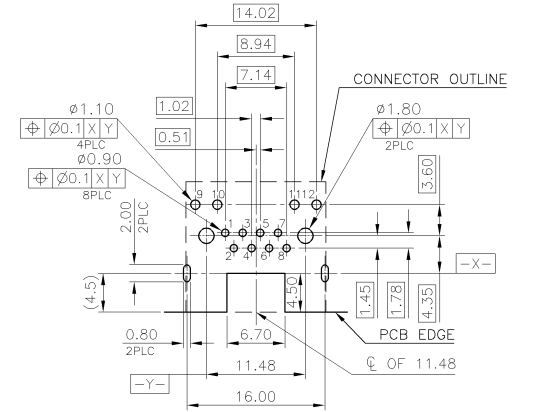
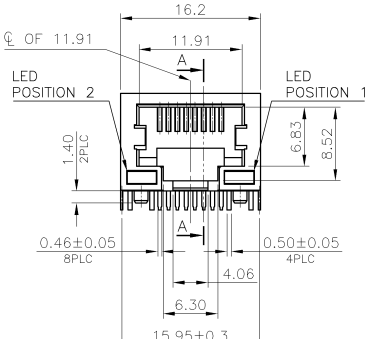
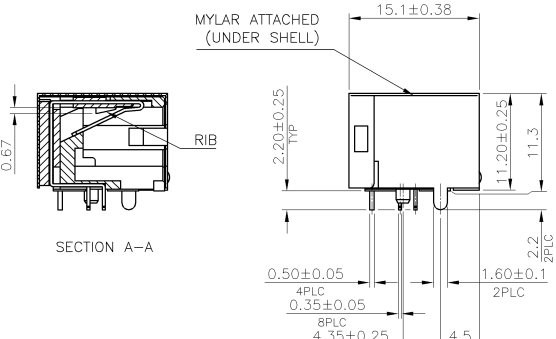
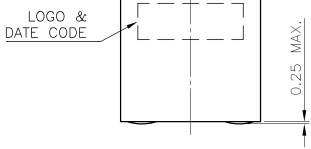
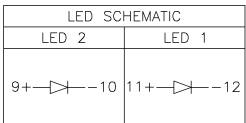
3

2

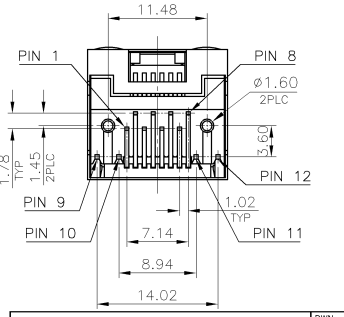
1

THIS DRAWING IS UNPUBLISHED. RELEASED FOR PUBLICATION  
 © COPYRIGHT 2010 BY TYCO ELECTRONICS CORPORATION. ALL RIGHTS RESERVED.

LOC	DIST	REVISIONS			
P	LTR	DESCRIPTION	DATE	DWN	APVD
A3		REVISED ECR-11-013520 (FOR PN 6-1734324-X, CORRECT HOUSING MATERIAL NAME FROM PA46 TO PA9T)	30JUN'11	E.L.	W.K.



- NOTE:
- MATERIAL:
    - HOUSING: PA46, WITH 30% GF, UL94 V-0, BLACK COLOR.
    - INSERT HOUSING: PA46, WITH 30% GF, UL94 V-0, BLACK COLOR.
    - CONTACTS: PHOSPHOR BRONZE.
    - SHELL: BRASS.
    - LED SOLDER TAIL: STEEL.
    - MYLAR: SILICONE POLYMER.
  - FINISH:
    - CONTACTS: (SEE TABLE) GOLD PLATED ON CONTACT AREA. GOLD FLASH ON SOLDER TAIL.  
1.27µm [50u"] MIN. NICKEL UNDERPLATED OVERALL.
    - SHELL: 0.508µm [20u"] MIN. NICKEL PLATED.
    - LED: 1.02µm [40u"] COPPER UNDERPLATED OVERALL.  
1.27µm [50u"] NICKEL OVERALL.  
1.27µm [50u"] SILVER ON BONDING AREA.  
2.54µm [100u"] BRIGHT-TIN ON SOLDER AREA.
  - LED MUST BE REFLOW COMPATIBLE TO FOLLOWING TEMPERATURE PROFILE (FOR 1 CYCLE): ABOVE 160°C FOR 120 SECONDS, PEAKING AT 220°C FOR 10 SECONDS.
  - LED DEFECT RATE IS 6000 PPM MAX. AFTER IR REFLOW PROCESS AS NOTE 3.
  - WAVE SOLDER CAPABLE TO 265°C PER TE SPEC 109-202, CONDITION B.
- ⚠ OBSOLETE PARTS: OBSOLETE CIS STREAMLINING PER D.RENAUD/D.SINISI.



RECOMMENDED PCB LAYOUT (TOP VIEW)  
 PCB THICKNESS: 1.6mm, TOLERANCE: ±0.05

PACKAGE	POSITION 2	POSITION 1	MIN. GOLD THICKNESS	PART NUMBER
REEL	YELLOW	GREEN	1.27µm[50u"]	1-1734324-8
			0.762µm[30u"]	<del>1-1734324-7</del>
TRAY	GREEN	YELLOW	0.381µm[15u"]	1-1734324-6
			0.152µm[6u"]	<del>1-1734324-5</del>
OBSOLETE	YELLOW	GREEN	1.27µm[50u"]	1-1734324-3
			0.762µm[30u"]	<del>1-1734324-2</del>
OBSOLETE	GREEN	YELLOW	0.381µm[15u"]	1-1734324-1
			0.152µm[6u"]	<del>1-1734324-0</del>

THIS DRAWING IS A CONTROLLED DOCUMENT.

DIMENSIONS: mm	TOLERANCES UNLESS OTHERWISE SPECIFIED:	DWN A. WU 04MAR2008	TE Connectivity MODULAR JACK CONNECTOR RJ45 WITH LED, 8P8C, SHIELDED TAB DOWN, DIP TYPE, H=11.3mm
0 PLC ±	1 PLC ±0.3	CHK S. HOU 04MAR2008	
1 PLC ±0.2	2 PLC ±0.2	APVD W. KODAMA 04MAR2008	
2 PLC ±0.15	3 PLC ±0.15	NAME	PRODUCT SPEC
3 PLC ±	4 PLC ±	NAME	APPLICATION SPEC
4 PLC ±	ANGLES ±°	NAME	108-57535
MATERIAL SEE NOTE	FINISH SEE NOTE	WEIGHT 4.5 GRAMS	SIZE A3 CAGE CODE 00779 DRAWING NO. 1734324 RESTRICTED TO
		CUSTOMER DRAWING	SCALE SHEET 1 of 7 REV A3

4

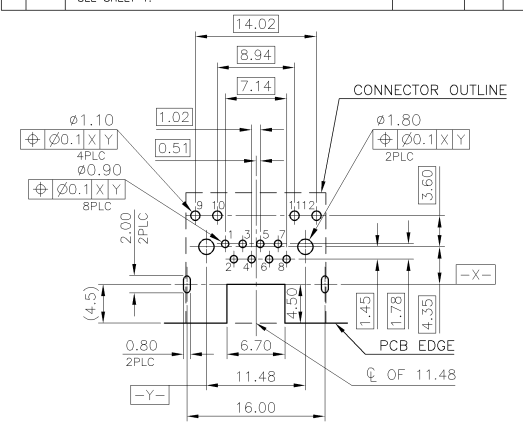
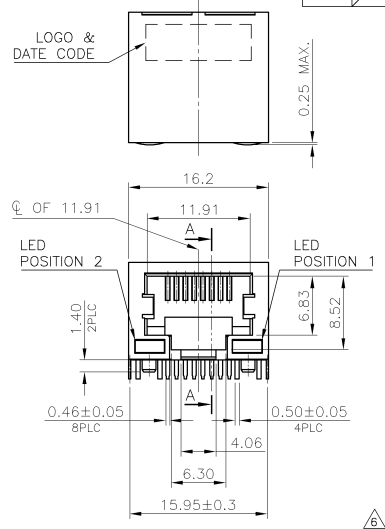
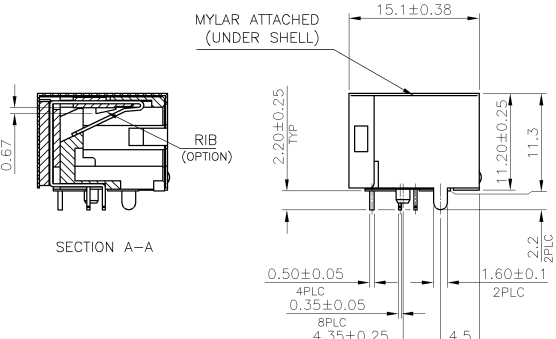
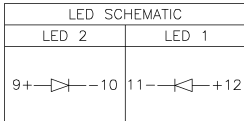
3

2

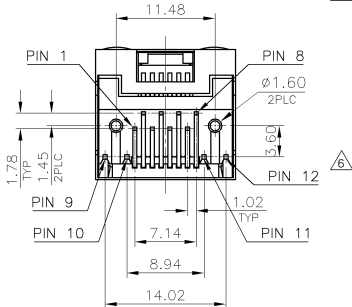
1

THIS DRAWING IS UNPUBLISHED.  
 RELEASED FOR PUBLICATION  
 © COPYRIGHT 2010 BY TYCO ELECTRONICS CORPORATION. ALL RIGHTS RESERVED.

LOC	DIST	REVISIONS					
		P	LTR	DESCRIPTION	DATE	DWN	APVD
DW				SEE SHEET 1.			



- NOTE:
- MATERIAL:
    - HOUSING: PA46, WITH 30% GF, UL94 V-0, BLACK COLOR.
    - INSERT HOUSING: PA46, WITH 30% GF, UL94 V-0, BLACK COLOR.
    - CONTACTS: PHOSPHOR BRONZE.
    - SHELL: BRASS.
    - LED SOLDER TAIL: STEEL.
    - MYLAR: SILICONE POLYMER.
  - FINISH:
    - CONTACTS: (SEE TABLE) GOLD PLATED ON CONTACT AREA. GOLD FLASH ON SOLDER TAIL. 1.27μm [50u"] MIN. NICKEL UNDERPLATED OVERALL.
    - SHELL: 0.508μm [20u"] MIN. NICKEL PLATED.
    - LED: 1.02μm [40u"] COPPER UNDERPLATED OVERALL. 1.27μm [50u"] NICKEL OVERALL. 1.27μm [50u"] SILVER ON BONDING AREA. 2.54μm [100u"] BRIGHT-TIN ON SOLDER AREA.
  - LED MUST BE REFLOW COMPATIBLE TO FOLLOWING TEMPERATURE PROFILE (FOR 1 CYCLE): ABOVE 160°C FOR 120 SECONDS, PEAKING AT 220°C FOR 10 SECONDS.
  - LED DEFECT RATE IS 6000 PPM MAX. AFTER IR REFLOW PROCESS AS NOTE 3.
  - WAVE SOLDER CAPABLE TO 265°C PER TE SPEC 109-202, CONDITION B.
- △ OBSOLETE PARTS: OBSOLETE CIS STREAMLINING PER D.RENAUD/D.SINISI.



	OBSOLETE	W/O TAPE & REEL	YELLOW	GREEN	MIN. GOLD THICKNESS		PART NUMBER
					POSITION 2	POSITION 1	
					1.27um[50u"]	0.762um[30u"]	<del>C-1734324-1</del>
					0.381um[15u"]	0.152um[6u"]	<del>C-1734324-2</del>
					0.152um[6u"]	0.381um[15u"]	<del>C-1734324-3</del>
					0.762um[30u"]	0.152um[6u"]	<del>C-1734324-4</del>
					1.27um[50u"]	0.762um[30u"]	<del>C-1734324-5</del>
					0.381um[15u"]	0.152um[6u"]	<del>C-1734324-6</del>
					0.152um[6u"]	0.381um[15u"]	<del>C-1734324-7</del>
					1.27um[50u"]	0.762um[30u"]	<del>C-1734324-8</del>
					0.762um[30u"]	0.152um[6u"]	<del>C-1734324-9</del>
					0.381um[15u"]	0.152um[6u"]	<del>C-1734324-10</del>
					1.27um[50u"]	0.762um[30u"]	<del>C-1734324-11</del>
					0.762um[30u"]	0.152um[6u"]	<del>C-1734324-12</del>
					0.152um[6u"]	0.381um[15u"]	<del>C-1734324-13</del>
					1.27um[50u"]	0.762um[30u"]	<del>C-1734324-14</del>
					0.762um[30u"]	0.152um[6u"]	<del>C-1734324-15</del>
					0.152um[6u"]	0.381um[15u"]	<del>C-1734324-16</del>

THIS DRAWING IS A CONTROLLED DOCUMENT.		DWN	
DIMENSIONS: mm		CHK	
TOLERANCES UNLESS OTHERWISE SPECIFIED:		APVD	
0 PLC ±		PRODUCT SPEC	
1 PLC ±0.3		APPLICATION SPEC	
2 PLC ±0.2		WEIGHT	
3 PLC ±0.15		CUSTOMER DRAWING	
4 PLC ±			
ANGLES ±°			
MATERIAL FINISH			

**STE** TE Connectivity

NAME: MODULAR JACK CONNECTOR RJ45 WITH LED, 8P8C, SHIELDED TAB DOWN, DIP TYPE, H=11.3mm

SIZE: A3 CAGE CODE: 00779 DRAWING NO: C-1734324 RESTRICTED TO:

SCALE: SHEET 2 of 7 REV: A3

4

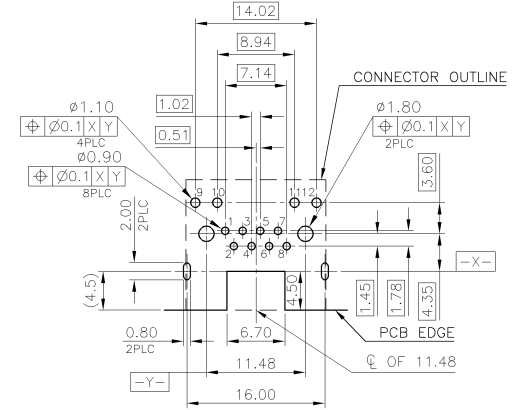
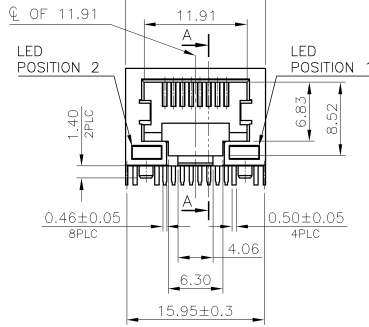
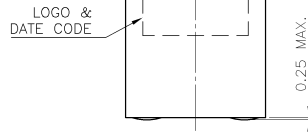
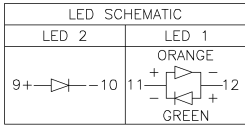
3

2

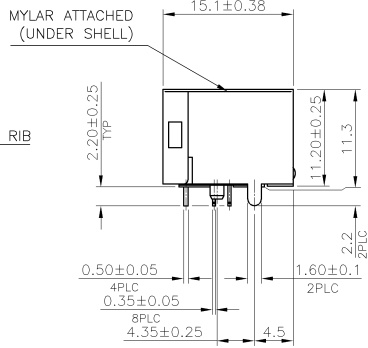
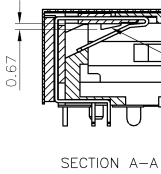
1

THIS DRAWING IS UNPUBLISHED. RELEASED FOR PUBLICATION  
 © COPYRIGHT 2010 BY TYCO ELECTRONICS CORPORATION. ALL RIGHTS RESERVED.

LOC	DIST	REVISIONS			
P	LTR	DESCRIPTION	DATE	DWN	APVD
DW		SEE SHEET 1.			

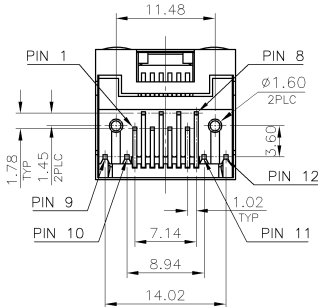


RECOMMENDED PCB LAYOUT (TOP VIEW)  
 PCB THICKNESS: 1.6mm, TOLERANCE: ±0.05



NOTE:

- MATERIAL:
    - HOUSING: PA46, WITH 30% GF, UL94 V-0, BLACK COLOR.
    - INSERT HOUSING: PA46, WITH 30% GF, UL94 V-0, BLACK COLOR.
    - CONTACTS: PHOSPHOR BRONZE.
    - SHELL: BRASS.
    - LED SOLDER TAIL: STEEL.
    - MYLAR: SILICONE POLYMER.
  - FINISH:
    - CONTACTS: (SEE TABLE) GOLD PLATED ON CONTACT AREA. GOLD FLASH ON SOLDER TAIL.  
1.27um [50u"] MIN. NICKEL UNDERPLATED OVERALL.
    - SHELL: 0.508um [20u"] MIN. NICKEL PLATED.
    - LED: 1.02um [40u"] COPPER UNDERPLATED OVERALL.  
1.27um [50u"] NICKEL OVERALL.  
1.27um [50u"] SILVER ON BONDING AREA.  
2.54um [100u"] BRIGHT-TIN ON SOLDER AREA.
  - LED MUST BE REFLOW COMPATIBLE TO FOLLOWING TEMPERATURE PROFILE (FOR 1 CYCLE): ABOVE 160°C FOR 120 SECONDS, PEAKING AT 220°C FOR 10 SECONDS.
  - LED DEFECT RATE IS 6000 PPM MAX. AFTER IR REFLOW PROCESS AS NOTE 3.
  - WAVE SOLDER CAPABLE TO 265°C PER TE SPEC 109-202, CONDITION B.
- ⚠ OBSOLETE PARTS: OBSOLETE CIS STREAMLINING PER D.RENAUD/D.SINISI.



⚠ OBSOLETE				1.27um[50u"]	<del>4-1734324-3</del>
⚠ OBSOLETE	TRAY	GREEN	ORANGE/GREEN	0.762um[50u"]	4-1734324-3
				0.381um[15u"]	<del>4-1734324-2</del>
				0.152um[6u"]	<del>4-1734324-1</del>
	PACKAGE	POSITION 2	POSITION 1	MIN. GOLD THICKNESS	PART NUMBER
		INDICATOR COLOR			

THIS DRAWING IS A CONTROLLED DOCUMENT.

DIMENSIONS:	TOLERANCES UNLESS OTHERWISE SPECIFIED:	DWN	TE Connectivity		
mm	0 PLC ±	CHK	NAME		
	1 PLC ±0.3	APVD	MODULAR JACK CONNECTOR RJ45 WITH LED, 8P8C, SHIELDED TAB DOWN, DIP TYPE, H=11.3mm		
	2 PLC ±0.2	PRODUCT SPEC	SIZE	CAGE CODE	DRAWING NO
	3 PLC ±0.15	APPLICATION SPEC	A3	00779	C=1734324
	4 PLC ±	WEIGHT	RESTRICTED TO		
MATERIAL	FINISH	CUSTOMER DRAWING	SCALE	SHEET	REV
				3 of 7	A3

4

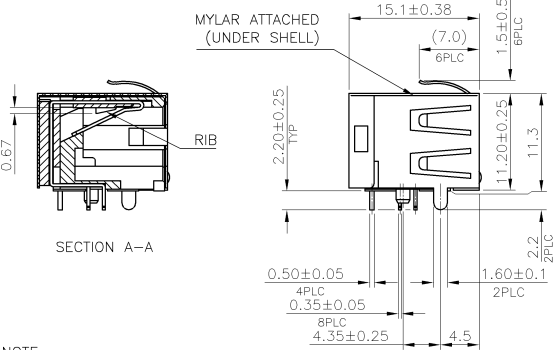
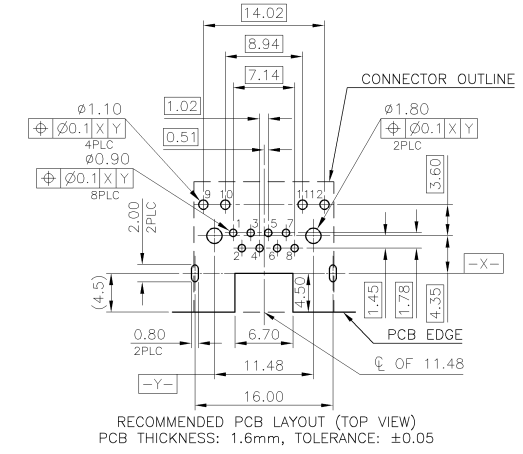
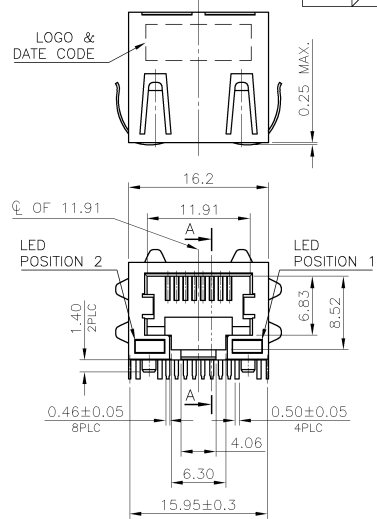
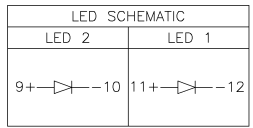
3

2

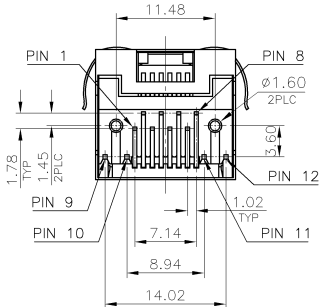
1

THIS DRAWING IS UNPUBLISHED. RELEASED FOR PUBLICATION  
 © COPYRIGHT 2010 BY TYCO ELECTRONICS CORPORATION. ALL RIGHTS RESERVED.

LOC	DIST	REVISIONS			
P	LTR	DESCRIPTION	DATE	DWN	APVD
DW		SEE SHEET 1.			



- NOTE:
- MATERIAL:
    - HOUSING: PA46, WITH 30% GF, UL94 V-0, BLACK COLOR.
    - INSERT HOUSING: PA46, WITH 30% GF, UL94 V-0, BLACK COLOR.
    - CONTACTS: PHOSPHOR BRONZE.
    - SHELL: BRASS.
    - LED SOLDER TAIL: STEEL.
    - MYLAR: SILICONE POLYMER.
  - FINISH:
    - CONTACTS: (SEE TABLE) GOLD PLATED ON CONTACT AREA. GOLD FLASH ON SOLDER TAIL.  
1.27um [50u"] MIN. NICKEL UNDERPLATED OVERALL.
    - SHELL: 0.508um [20u"] MIN. NICKEL PLATED.
    - LED: 1.02um [40u"] COPPER UNDERPLATED OVERALL.  
1.27um [50u"] NICKEL OVERALL.  
1.27um [50u"] SILVER ON BONDING AREA.  
2.54um [100u"] BRIGHT-TIN ON SOLDER AREA.
  - LED MUST BE REFLOW COMPATIBLE TO FOLLOWING TEMPERATURE PROFILE (FOR 1 CYCLE): ABOVE 160°C FOR 120 SECONDS, PEAKING AT 220°C FOR 10 SECONDS.
  - LED DEFECT RATE IS 6000 PPM MAX. AFTER IR REFLOW PROCESS AS NOTE 3.
  - WAVE SOLDER CAPABLE TO 265°C PER TE SPEC 109-202, CONDITION B.
- ⚠️ OBSOLETE PARTS: OBSOLETE CIS STREAMLINING PER D.RENAUD/D.SINISI.



PACKAGE	POSITION 2	POSITION 1	MIN. GOLD THICKNESS	PART NUMBER
OBSOLETE TRAY	YELLOW	GREEN	1.27um [50u"]	<del>5-1734324-1</del>
			0.762um [30u"]	<del>5-1734324-2</del>
OBSOLETE	GREEN	YELLOW	0.381um [15u"]	<del>5-1734324-3</del>
			0.152um [6u"]	<del>5-1734324-4</del>
			1.27um [50u"]	<del>5-1734324-5</del>
			0.762um [30u"]	<del>5-1734324-6</del>
			0.381um [15u"]	<del>5-1734324-7</del>
			0.152um [6u"]	<del>5-1734324-8</del>

THIS DRAWING IS A CONTROLLED DOCUMENT.

DIMENSIONS:	TOLERANCES UNLESS OTHERWISE SPECIFIED:	DWN	CHK	TE Connectivity	
mm	0 PLC ±	APVD	NAME	MODULAR JACK CONNECTOR	
	1 PLC ±0.3	PRODUCT SPEC	SIZE	CAGE CODE	DRAWING NO
	2 PLC ±0.2	APPLICATION SPEC	A3	00779	C=1734324
	3 PLC ±0.15	WEIGHT	CUSTOMER DRAWING	SCALE	SHEET
	4 PLC ±				4 OF 7
MATERIAL	FINISH				REV A3

4

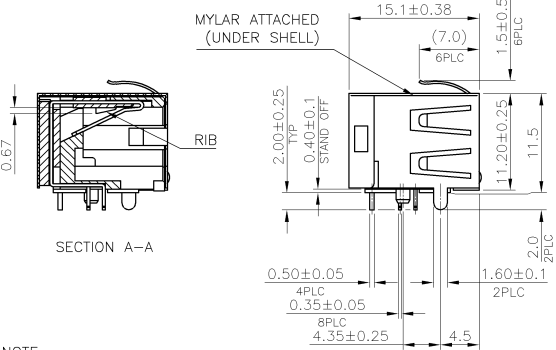
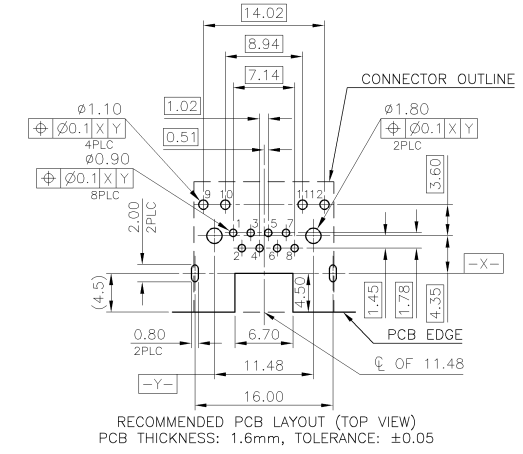
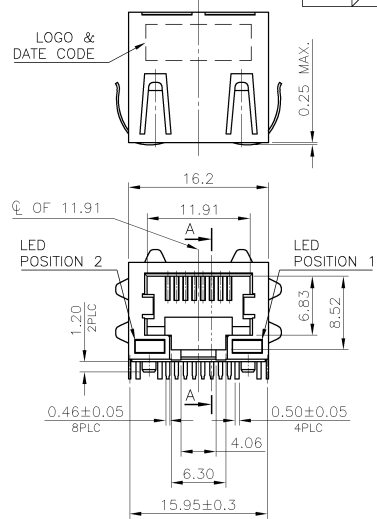
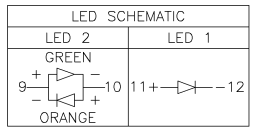
3

2

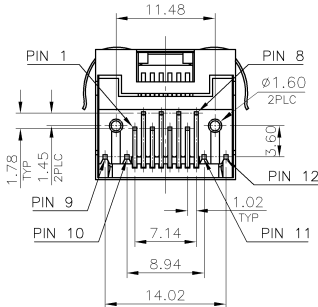
1

THIS DRAWING IS UNPUBLISHED. RELEASED FOR PUBLICATION  
 © COPYRIGHT 2010 BY TYCO ELECTRONICS CORPORATION. ALL RIGHTS RESERVED.

LOC	DIST	REVISIONS			
P	LTR	DESCRIPTION	DATE	DWN	APVD
DW		SEE SHEET 1.			



- NOTE:
- MATERIAL:
    - 1.1 HOUSING: PA9T, WITH 30% GF, UL94 V-0, BLACK COLOR.
    - 1.2 INSERT HOUSING: PA46, WITH 30% GF, UL94 V-0, BLACK COLOR.
    - 1.3 CONTACTS: PHOSPHOR BRONZE.
    - 1.4 SHELL: BRASS.
    - 1.5 LED SOLDER TAIL: STEEL.
    - 1.6 MYLAR: SILICONE POLYMER.
  - FINISH:
    - 2.1 CONTACTS: (SEE TABLE) GOLD PLATED ON CONTACT AREA. GOLD FLASH ON SOLDER TAIL. 1.27µm [50u"] MIN. NICKEL UNDERPLATED OVERALL.
    - 2.2 SHELL: 0.508µm [20u"] MIN. NICKEL PLATED.
    - 2.3 LED: 1.02µm [40u"] COPPER UNDERPLATED OVERALL. 1.27µm [50u"] NICKEL OVERALL. 1.27µm [50u"] SILVER ON BONDING AREA. 2.54µm [100u"] BRIGHT-TIN ON SOLDER AREA.
  - LED MUST BE REFLOW COMPATIBLE TO FOLLOWING TEMPERATURE PROFILE (FOR 1 CYCLE): ABOVE 160°C FOR 120 SECONDS, PEAKING AT 220°C FOR 10 SECONDS.
  - LED DEFECT RATE IS 6000 PPM MAX. AFTER IR REFLOW PROCESS AS NOTE 3.
  - WAVE SOLDER CAPABLE TO 265°C PER TE SPEC 109-202, CONDITION B.



TAPE & REEL	GREEN/ ORANGE	YELLOW	1.27µm[50u"]	6-1734324-8
			0.762µm[50u"]	6-1734324-7
TRAY	GREEN/ ORANGE	YELLOW	0.381µm[15u"]	6-1734324-6
			0.152µm[6u"]	6-1734324-5
			1.27µm[50u"]	6-1734324-4
			0.762µm[50u"]	6-1734324-3
PACKAGE	POSITION 2	POSITION 1	MIN. GOLD THICKNESS	PART NUMBER
	INDICATOR COLOR			

THIS DRAWING IS A CONTROLLED DOCUMENT.

DIMENSIONS:	TOLERANCES UNLESS OTHERWISE SPECIFIED:	DWN	CHK	APVD	PRODUCT SPEC	APPLICATION SPEC	WEIGHT	CUSTOMER DRAWING
mm	0 PLC ±							
	1 PLC ±0.3							
	2 PLC ±0.2							
	3 PLC ±0.15							
	4 PLC ±							
MATERIAL	FINISH	ANGLES						

STE TE Connectivity

MODULAR JACK CONNECTOR  
 RJ45 WITH LED, 8P8C, SHIELDED  
 TAB DOWN, DIP TYPE, H=11.3mm

SIZE	CAGE CODE	DRAWING NO	RESTRICTED TO
A3	00779	1734324	

SCALE: SHEET 5 of 7 REV A3

4

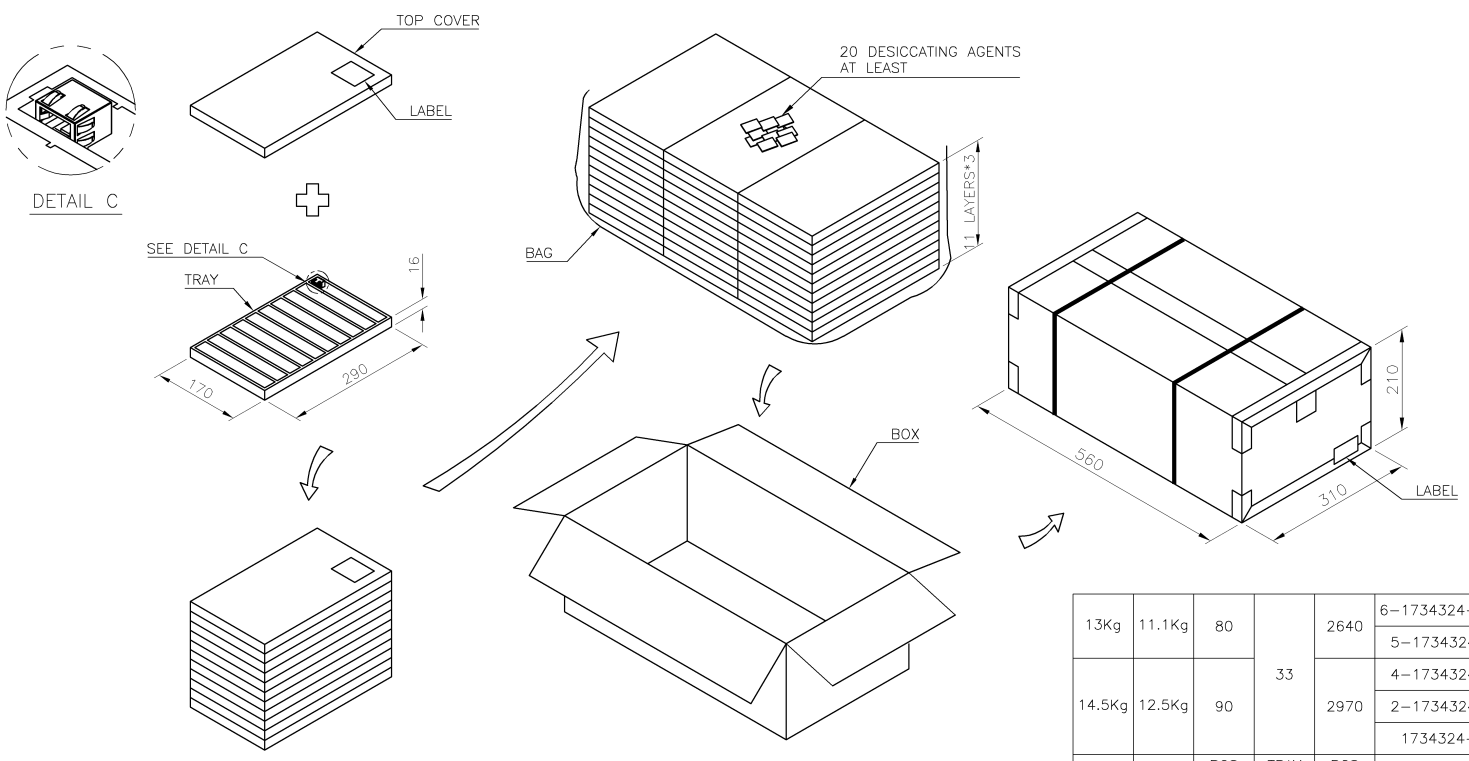
3

2

1

THIS DRAWING IS UNPUBLISHED. RELEASED FOR PUBLICATION  
 © COPYRIGHT 2010 BY TYCO ELECTRONICS CORPORATION. ALL RIGHTS RESERVED.

LOC	DIST	REVISIONS					
DW		P	LTR	DESCRIPTION	DATE	DWN	APVD
		SEE SHEET 1.					



13Kg	11.1Kg	80		2640	6-1734324-1~4
					5-1734324-X
14.5Kg	12.5Kg	90	33	2970	4-1734324-X
					2-1734324-X
					1734324-X
GROSS WEIGHT	NET WEIGHT	PCS /TRAY	TRAY /BOX	PCS /BOX	PART NUMBER

- NOTES:
- MATERIAL:  
TRAY: PVC.  
BOX: CORRUGATED FIBER.
  - DIMENSION: SEE DRAWING
  - QUANTITY: SEE TABLE
  - WEIGHT: SEE TABLE

THIS DRAWING IS A CONTROLLED DOCUMENT.

DIMENSIONS:	TOLERANCES UNLESS OTHERWISE SPECIFIED:	DWN	TE Connectivity		
mm	0 PLC ±	CHK	NAME		
	1 PLC ±0.3	APVD	MODULAR JACK CONNECTOR		
	2 PLC ±0.2	PRODUCT SPEC	RJ45 WITH LED, 8P8C, SHIELDED		
	3 PLC ±0.15	APPLICATION SPEC	TAB DOWN, DIP TYPE, H=11.3mm		
MATERIAL	4 PLC ±	WEIGHT	SIZE	CAGE CODE	DRAWING NO
	ANGLES ±°		A3	00779	C-1734324
		CUSTOMER DRAWING	SCALE	SHEET	RESTRICTED TO
				6 of 7	REV A3

4

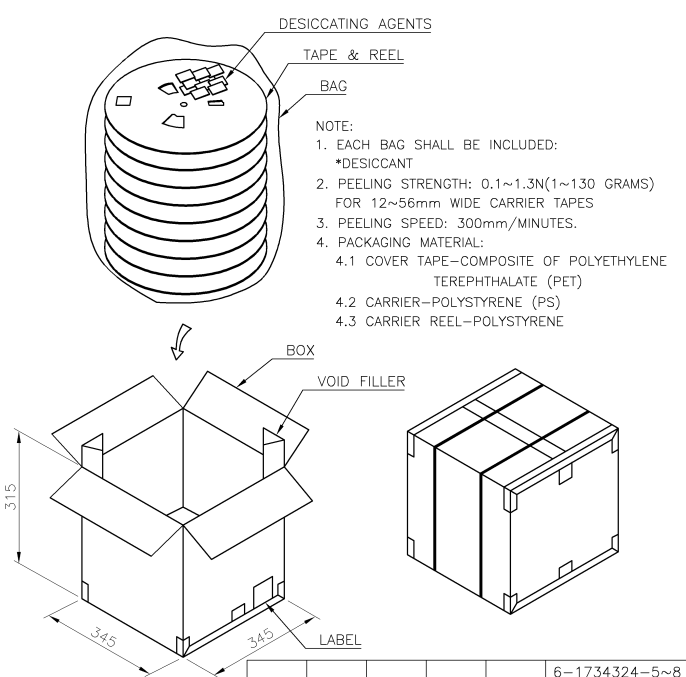
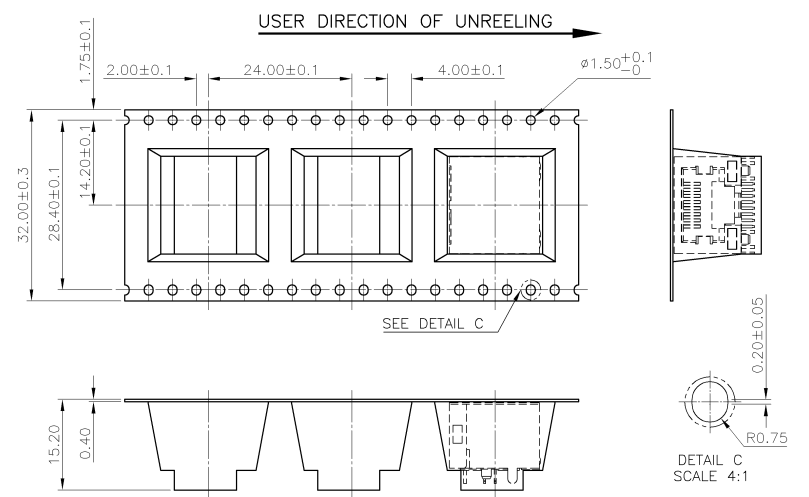
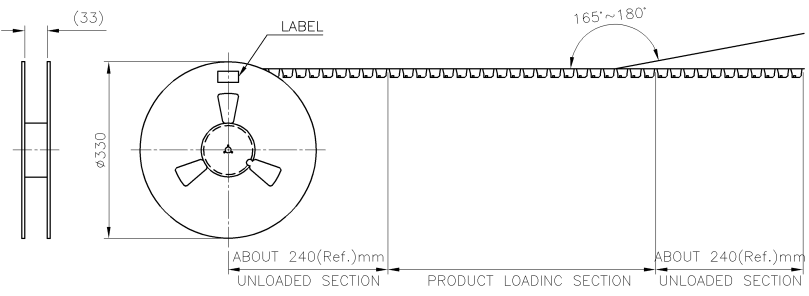
3

2

1

THIS DRAWING IS UNPUBLISHED. RELEASED FOR PUBLICATION  
 © COPYRIGHT 2010 BY TYCO ELECTRONICS CORPORATION. ALL RIGHTS RESERVED.

LOC	DIST	REVISIONS			
P	LTR	DESCRIPTION	DATE	DWN	APVD
SEE SHEET 1.					



- NOTE:
- EACH BAG SHALL BE INCLUDED:
    - \*DESICCANT
  - PEELING STRENGTH: 0.1~1.3N(1~130 GRAMS) FOR 12~56mm WIDE CARRIER TAPES
  - PEELING SPEED: 300mm/MINUTES.
  - PACKAGING MATERIAL:
    - 4.1 COVER TAPE—COMPOSITE OF POLYETHYLENE TEREPHTHALATE (PET)
    - 4.2 CARRIER—POLYSTYRENE (PS)
    - 4.3 CARRIER REEL—POLYSTYRENE

8.5KG	6.1KG	180	8	1440	6-1734324-5~8
					3-1734324-X
					1-1734324-X
GROSS WEIGHT	NET WEIGHT	PCS /REEL	REEL /BOX	PCS /BOX	PART NUMBER

THIS DRAWING IS A CONTROLLED DOCUMENT.

DIMENSIONS: mm	TOLERANCES UNLESS OTHERWISE SPECIFIED:	DWN	CHK	APVD	NAME
	0 PLC ±				<b>STE</b> TE Connectivity MODULAR JACK CONNECTOR RJ45 WITH LED, 8P&C, SHIELDED TAB DOWN, DIP TYPE, H=11.3mm
	1 PLC ±0.3				
	2 PLC ±0.2				
	3 PLC ±0.15				
	4 PLC ±				SIZE
MATERIAL	FINISH	WEIGHT			CAGE CODE
					DRAWING NO
					RESTRICTED TO
					A300779
					©=1734324
					CUSTOMER DRAWING
					SCALE
					SHEET
					7 of 7
					REV
					A3